



Lowara EB/V Bronze Circulator Pumps

HIGH EFFICIENCY BRONZE PUMPS, WITH FIXED OR ADJUSTABLE SPEED, THREADED CONNECTIONS AND OPTIONAL TIMER AND THERMOSTAT.

 **LOWARA**
a xylem brand

Lowara EB/V Bronze Circulator Pumps



Ecocirc EB and EBV bronze pumps are high efficiency circulators based on the proven shaftless spherical motor design with ECM technology and permanent magnets. This design combines high efficiency, low noise at an affordable price. The EBV version has a stepless speed setting.

Options available

- Bronze Pump with integrated timer.
- Bronze Pump with integrated thermostat.
- Bronze Pump with integrated timer and thermostat.
- Pipe Unions.

All above options are available with either ½" BSPf connections (supplied with loose Non-return valve) or 1 ¼" BSPm connections, incorporating non-return valve and isolation valve.

Applications

- Hot water recirculation.
- Boiler feed.

Specification

Delivery: up to 1 m³/h

Head: up to 3 m

Power supply: single-phase 50 Hz

Power consumption: 0.03kW

Maximum operating pressure: 10 bar

Temperature of pumped liquid:

-10°C to +95°C

Insulation class: F

Protection: IP44 (No timer models)

IP42 (Timer models)

Materials

Pump body: Brass

Rotary assembly group: Stainless Steel,

Composite material and Carbon

Bearings: Ceramic

Elastomers: EPDM

Advantages

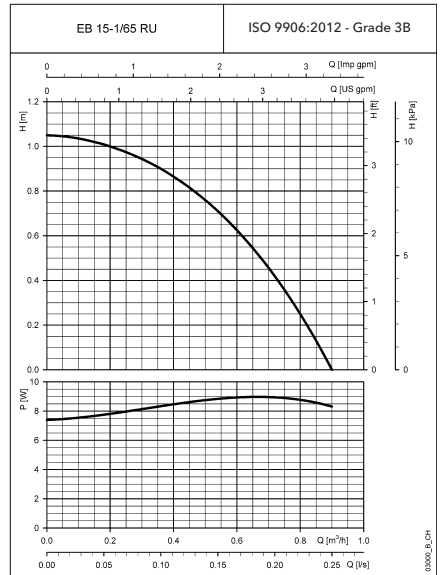
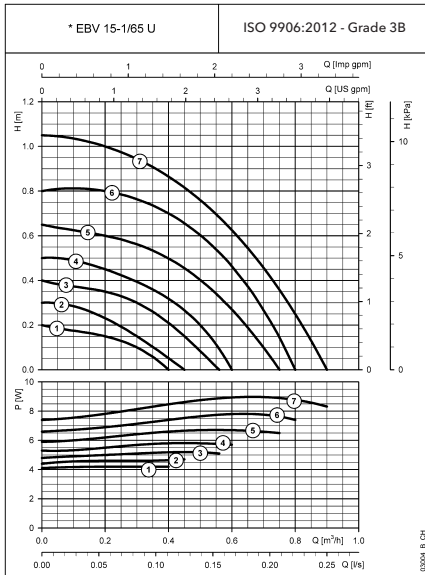
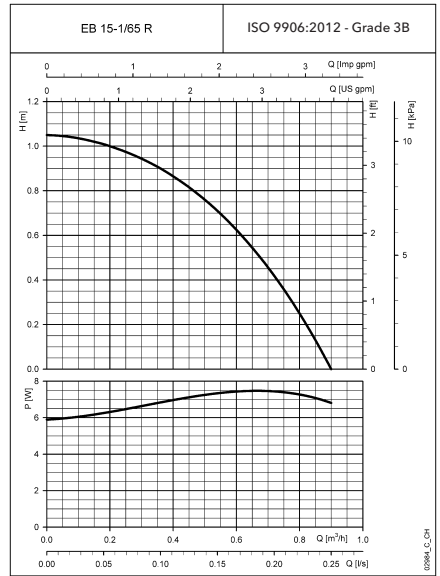
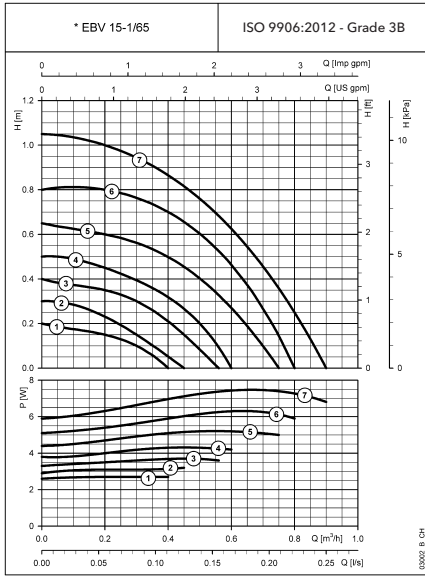
- Energy saving.
- Blockage free.
- Minimal maintenance.
- Easy and quick installation.

Installations

- Suitable for installation in vertical or horizontal piping, in this last case not with the motor housing upward.

EB/V Bronze Circulator Pumps

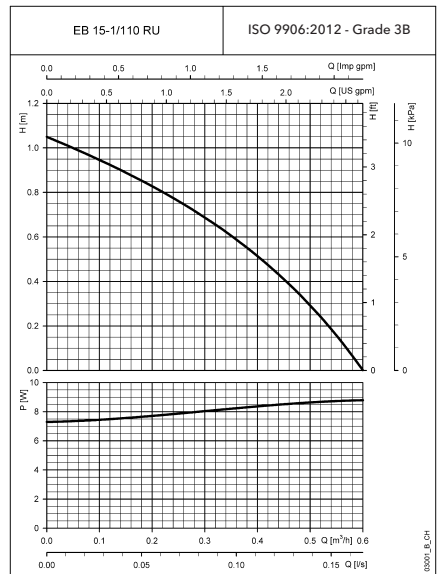
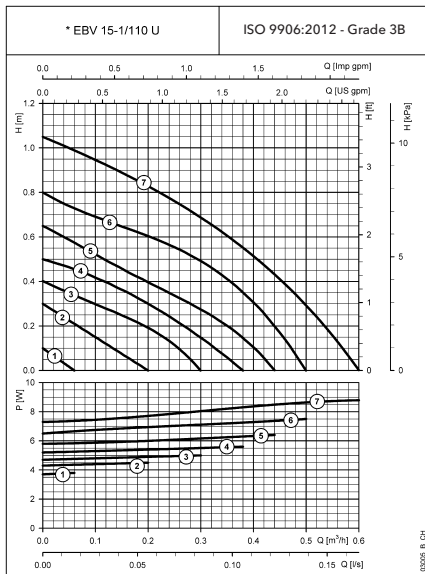
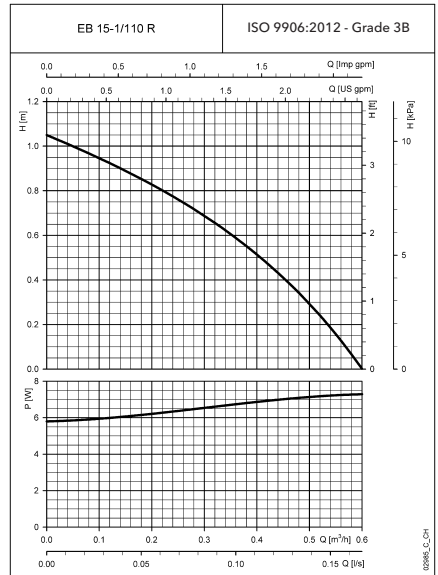
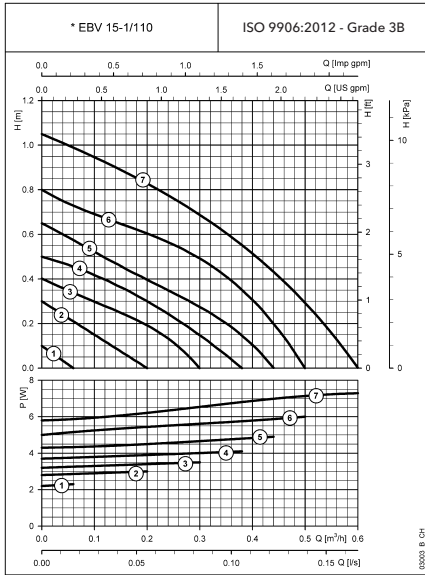
Single-phase operating characteristics



These performances are valid for liquids with density $\rho = 1.0 \text{ Kg/dm}^3$ and kinematic viscosity $\nu = 1 \text{ mm}^2/\text{sec}$.
 ★ Pump operates steplessly. Lines correspond to knob settings and are for reference only.

EB/V Bronze Circulator Pumps

Single-phase operating characteristics

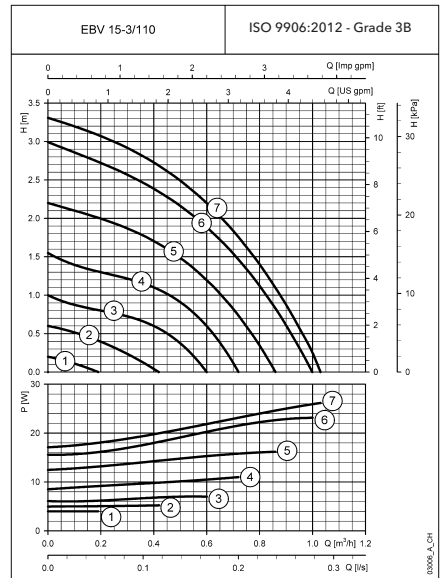
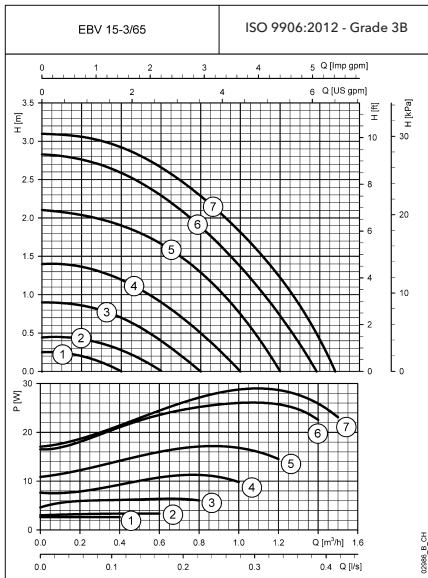


These performances are valid for liquids with density $\rho = 1.0 \text{ Kg/dm}^3$ and kinematic viscosity $\nu = 1 \text{ mm}^2/\text{sec}$.

★ Pump operates steplessly. Lines correspond to knob settings and are for reference only.

EB/V Bronze Circulator Pumps

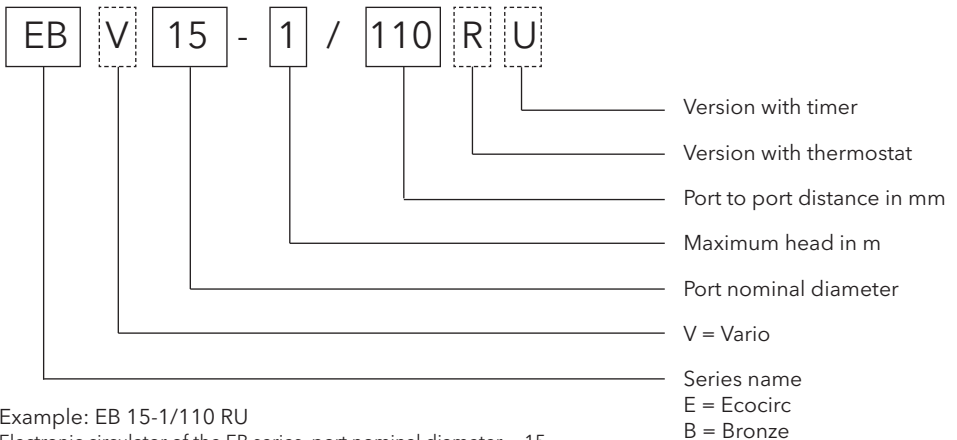
Single-phase operating characteristics



These performances are valid for liquids with density $\rho = 1.0 \text{ Kg/dm}^3$ and kinematic viscosity $\nu = 1 \text{ mm}^2/\text{sec}$. Pump operates steplessly. Lines correspond to knob settings and are for reference only.

EB/V Bronze Circulator Pumps

Identification codes



Example: EB 15-1/110 RU
 Electronic circulator of the EB series, port nominal diameter = 15, max head = 1m, port distance 110mm, with temperature probes and timer.

EB/V Bronze Circulator Pumps

Hydraulic performance table

Pump Type	Power Absorbed		Speed	Q=Delivery											
	Min W	Max W		l/s	0.03	0.06	0.08	0.11	0.14	0.19	0.22	0.28	0.36	0.39	
				m ³ /h	0.1	0.2	0.3	0.4	0.5	0.7	0.8	1	1.3	1.4	
H=Total Head Metres Column of Water															
EBV 15-1/65	2.6	2.7	min	0.20	0.18	0.15	0.10	0							
	5.9	7.5	max	1.05	1.04	1.00	0.94	0.86	0.76	0.46	0.25				
EB 15-1/65 R	5.9	7.5	max	1.05	1.04	1.00	0.94	0.86	0.76	0.46	0.25				
EBV 15-1/65 U	4.1	4.2	min	0.20	0.18	0.15	0.10	0							
	7.4	9.0	max	1.05	1.04	1.00	0.94	0.86	0.76	0.46	0.25				
EB 15-1/65 RU	7.4	9.0	max	1.05	1.04	1.00	0.94	0.86	0.76	0.46	0.25				
EBV 15-1/110	2.2	2.3	min	0.10											
	5.8	7.3	max	1.05	0.95	0.83	0.69	0.51	0.29						
EB 15-1/110 R	5.8	7.3	max	1.05	0.95	0.83	0.69	0.51	0.29						
EBV 15-1/110 U	3.7	3.8	min	0.10											
	7.3	8.8	max	1.05	0.95	0.83	0.69	0.51	0.29						
EB 15-1/110 RU	7.3	8.8	max	1.05	0.95	0.83	0.69	0.51	0.29						
EBV 15-3/65	2.6	2.6	min	0.25	0.24	0.20	0.12	0							
	17.1	23.7	max	3.10	3.09	3.08	3.07	3.06	3.04	3.02	3.00	2.97	2.91	2.89	
EBV 15-3/110	4.0	4.0	min	0.20	0.11										
	17.1	26.6	max	3.31	3.20	3.08	2.96	2.84	2.71	2.43	2.28	1.96			

Pump Type	Part Code	Length mm	Connections	Weight (kg)
EBV 15-1/65	605001500	65	G ½"	0.7
EB 15-1/65 R	605001501	65	G ½"	0.7
EBV 15-1/65 U	605001502	65	G ½"	0.8
EB 15-1/65 RU	605001503	65	G ½"	0.8
EBV 15-1/110	605001550	110	R 1¼"	1.1
EB 15-1/110 R	605001551	110	R 1¼"	1.1
EBV 15-1/110 U	605001552	110	R 1¼"	1.2
EB 15-1/110 RU	605001553	110	R 1¼"	1.2
EBV 15-3/65	605001600	65	G ½"	0.9
EBV 15-3/110	605001650	110	R 1¼"	1.3

Key

EB- Fixed Speed

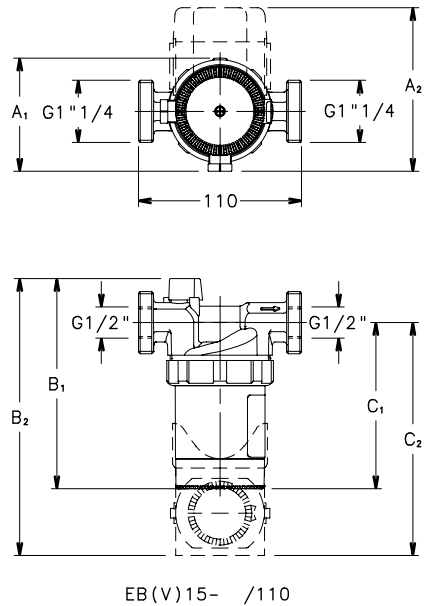
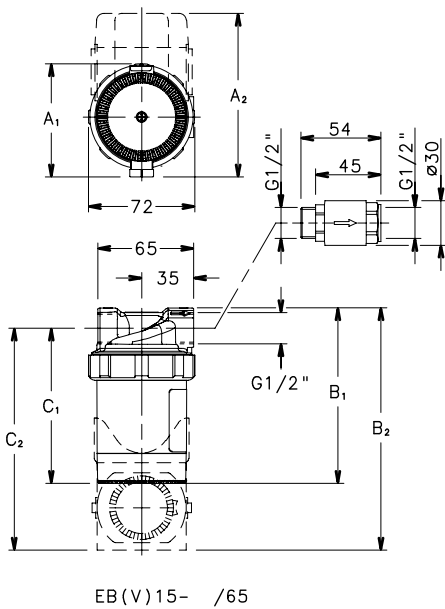
EBV - Adjustable Speed

Version 'R' suffix - with Thermostat

Version 'U' suffix - with Timer

EB/V Bronze Circulator Pumps

Dimensions and Weights



Pump Type		Dimensions (mm)						DN
		A ₁	A ₂	B ₁	B ₂	C ₁	C ₂	
EB 15-1/65R	EBV 15-1/65	76	-	118	-	105	-	15
EB 15-1/65RU	EBV 15-1/65U	-	110	-	163	-	150	15
EB 15-1/110R	EBV 15-1/110	76	-	142	-	112	-	15
EB 15-1/110RU	EBV 15-1/110U	-	110	-	187	-	157	15
	EBV 15-3/65	76	-	118	-	105	-	15
	EBV 15-3/110	76	-	142	-	112	-	15

Lowara Replacement Guide

GRUNDFOS	LOWARA	WILO	LOWARA
UP 15-14 B	EBV 15-1/65	Star-Z 15	EBV 15-1/65
UP 15-14 BU	EB 15-1/65 R	-	EB 15-1/65 R
UP 15-14 BT	EBV 15-1/65 U	-	EBV 15-1/65 U
UP 15-14 BT	EB 15-1/65 RU	-	EB 15-1/65 RU
UP 20-30 N	EBV 15-3/65	Star-Z 20/1	EBV 15-3/65
UP 20-14 BX	EBV 15-1/110	Star-Z 15A	EBV 15-1/110
UP 20-14 BXU	EB 15-1/110 R	-	EB 15-1/110 R
UP 20-14 BXT	EBV 15-1/110 U	-	EBV 15-1/110 U
UP 20-14 BXUT	EB 15-1/110 RU	Star-Z 15 TT	EB 15-1/110 RU
-	EBV 15-3/110	-	EBV 15-3/110

Lowara TLCB/TLCBH Series

TLCB Series

Residential hot water secondary circulation.

Capacities to 5m³/h.
Head to 6 metres.
Temp -10°C to +110°C.
Max Pressure 10 bar.



TLCHB Series

Circulation of secondary hot water in high flow/high head installations.

Capacities to 12m³/h.
Head to 12 metres.
Temp -10°C to +110°C.
Max Pressure 10 bar.



xylem
Let's Solve Water

Lowara UK Limited

Millwey Rise Industrial Estate
Axminster, Devon EX13 5HU - UK
Tel: 01297 630230
Fax: 01297 630270
e-mail: lowaraukenquiries@xyleminc.com
<http://www.lowara.co.uk>
<http://www.xyleminc.com>

Lowara is a trademark of Xylem Inc. or one of its subsidiaries.
© 2011 Xylem, Inc.

Lowara reserve the right to make modifications without prior notice.

cod. UKLIT0111 P03/13

CPD
CIBSE

CIBSE
PATRONS

Member of
BPMA
Industry
association

