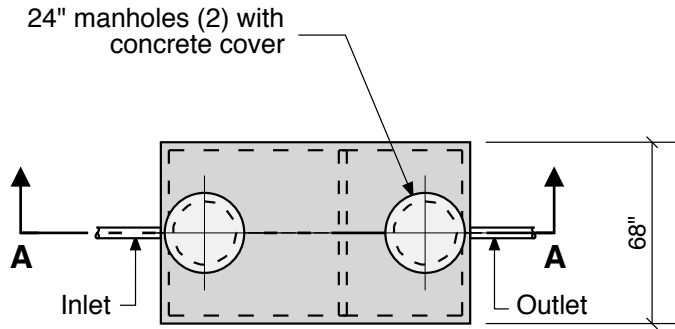
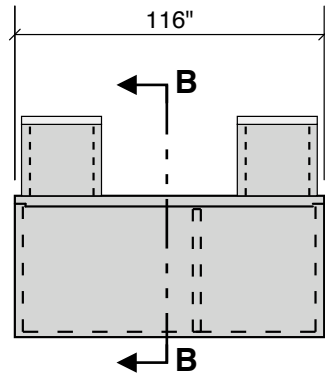


**1000 LDS GALLON  
36" LL  
41" INLET**

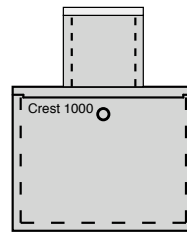
**Double Septic**



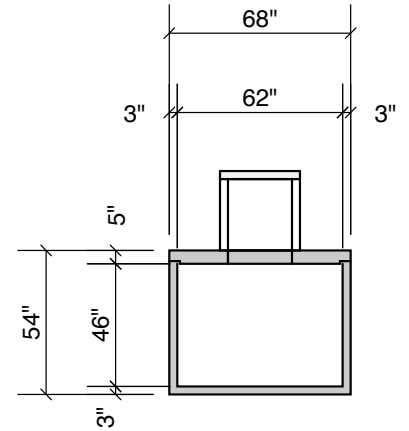
**Top View**



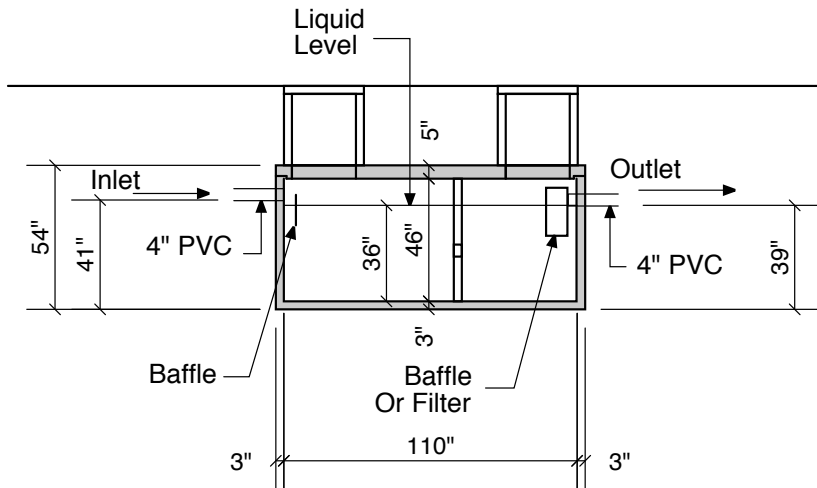
**Side View**



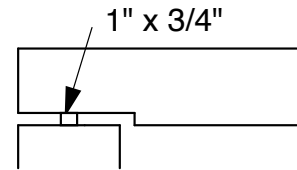
**End View**



**Section B-B**



**Section A-A**



**Typical Cover Detail**

**2 Compartment 1000 Gallon Septic Tank**

**Notes:**  
 Concrete - 5000 PSI  
 Joint Sealant - High Grade EZ Stick  
 Labels - Warning signs located on all manholes  
 Installation - See separate installation guide  
 Baffles Installed  
 Rubber Gaskets - Press Seal

<b>Crest Precast, Inc.</b>		<b>La Crescent, MN &amp; Barneveld, WI</b>	
800-658-9045		800-658-9045	
Scale		Drawn By:	<b>KGT</b>
Date		Revision	
<b>Project:</b>	<b>SEPTIC TANK 1000 GALLON LOW</b>		
<b>Contractor:</b>		Drawing Number	<b>MODEL 1000-LDS</b>