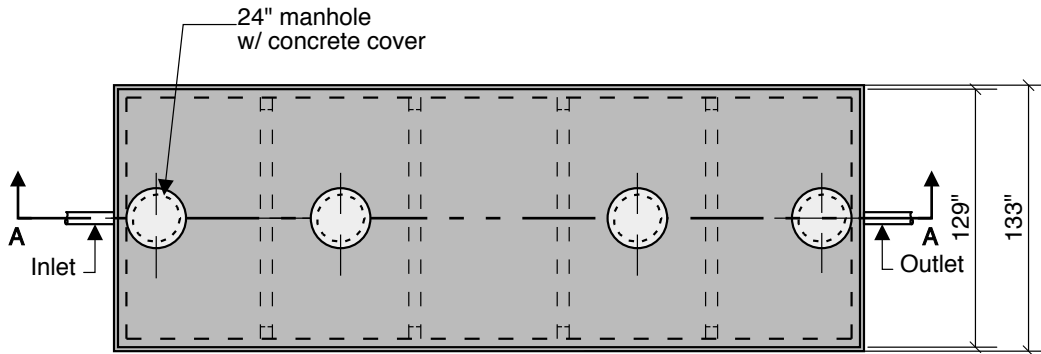
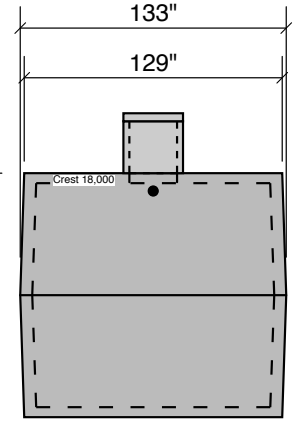


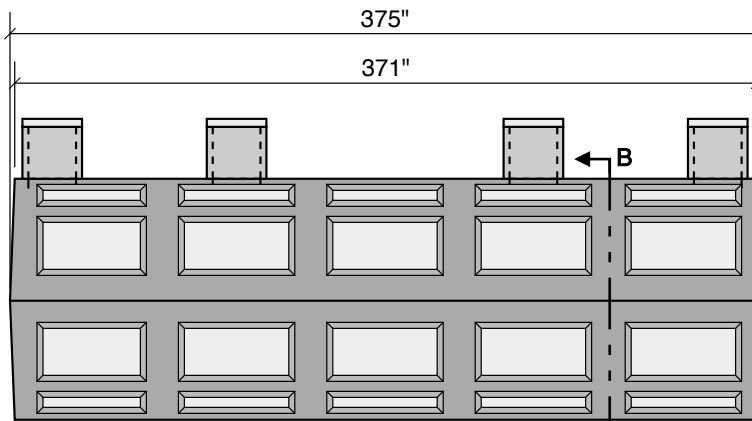
**18000 GALLON
95" LL
102" INLET**



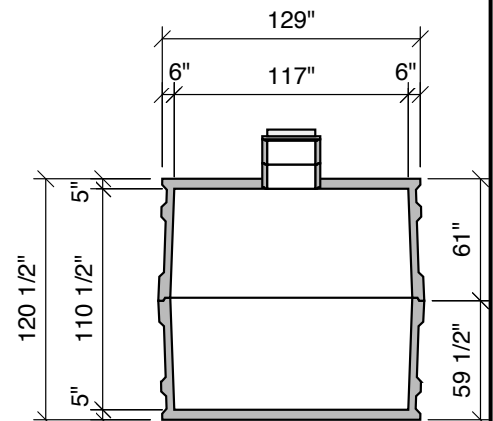
Top View



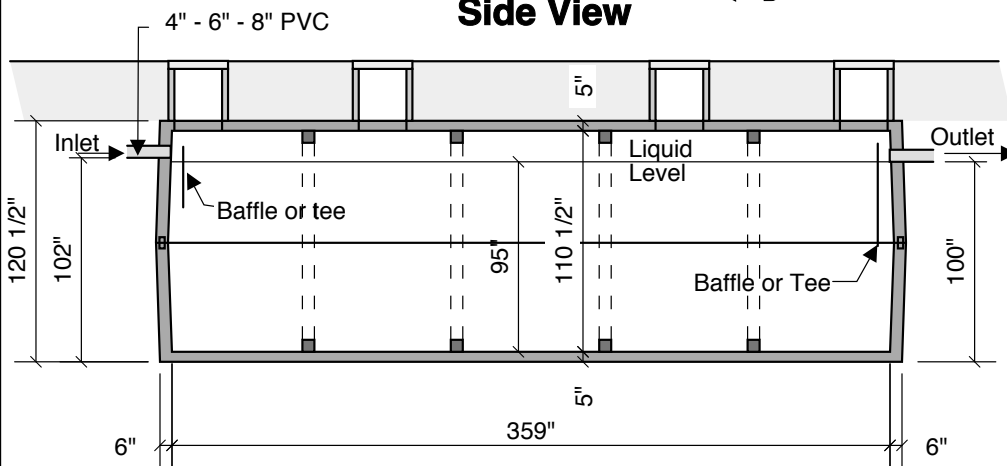
End View



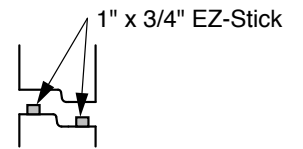
Side View



Section B-B



Section A-A



Typical Tongue & Groove Joint

Septic - Pump - Holding - Recirculation Or Grease Tank

- Notes:
- Concrete - 5000 PSI
 - Joint Sealant - High Grade EZ-Stick
 - Labels - Warning signs located on all manholes
 - Installation - See separate installation guide
 - Baffles Installed
 - Rubber Gaskets - Press Seal

Crest Precast, Inc.
La Crescent, MN & Barneveld, WI
800-658-9045

Scale		Drawn By: KGT
Date		Revision
Project: SEPTIC TANK 18,000 GALLON		
Contractor:		Drawing Number: MODEL 18000