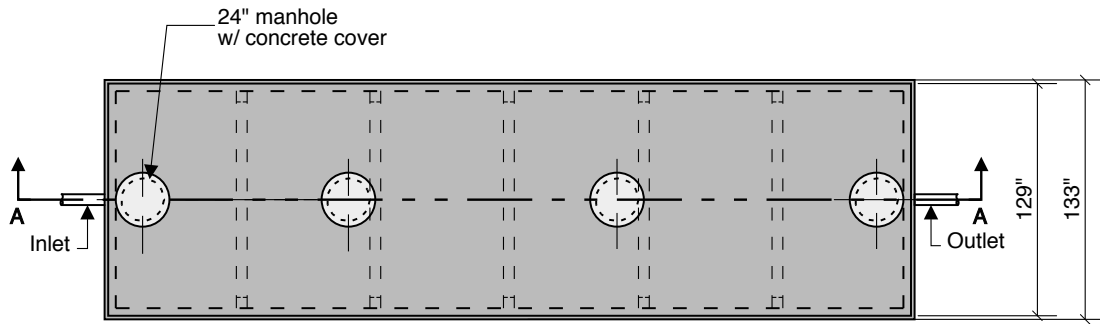
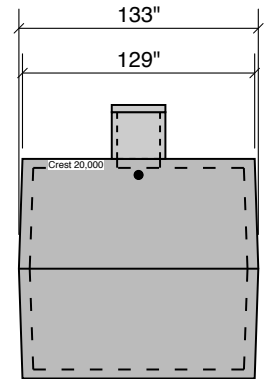


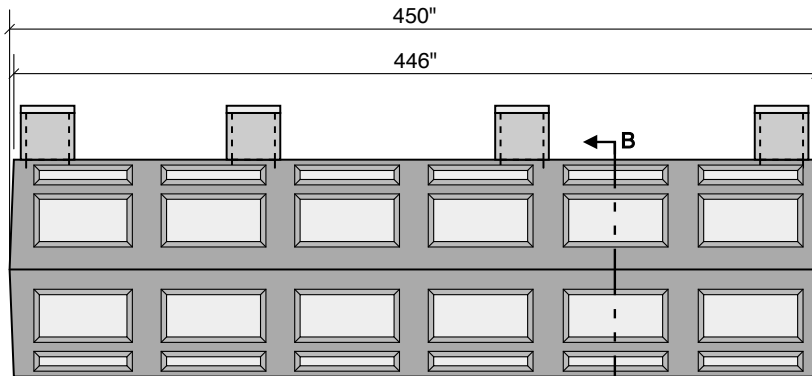
**20000 GALLON  
90" LL  
97" INLET**



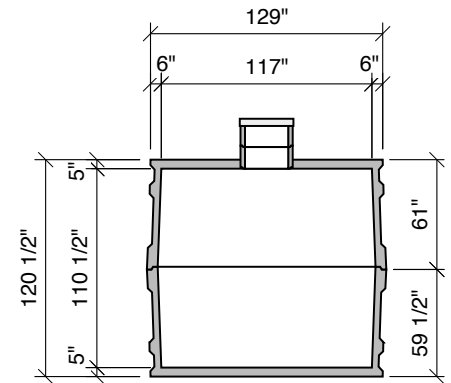
**Top View**



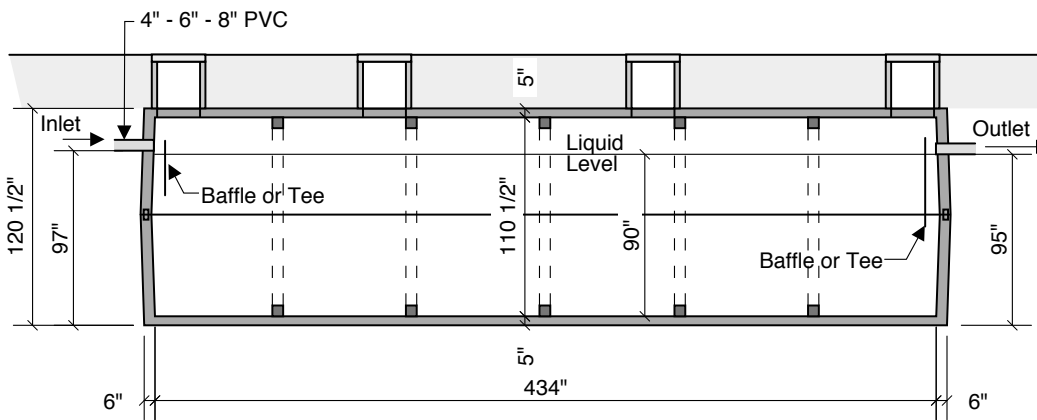
**End View**



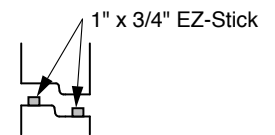
**Side View**



**Section B-B**



**Section A-A**



**Typical Tongue & Groove Joint**

- Notes:
- Concrete - 5000 PSI
  - Joint Sealant - High Grade EZ-Stick
  - Labels - Warning signs located on all manholes
  - Installation - See separate installation guide
  - Baffles Installed
  - Rubber Gaskets - Press Seal

**Crest Precast, Inc.**  
**La Crescent, MN & Barneveld, WI**  
 800-658-9045

Scale		Drawn By:	KGT
Date		Revision	
Project:		<b>SEPTIC TANK 20,000 GALLON</b>	
Contractor:		Drawing Number <b>MODEL 20000</b>	