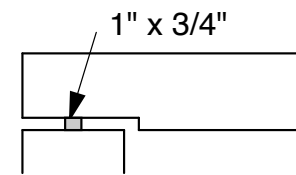
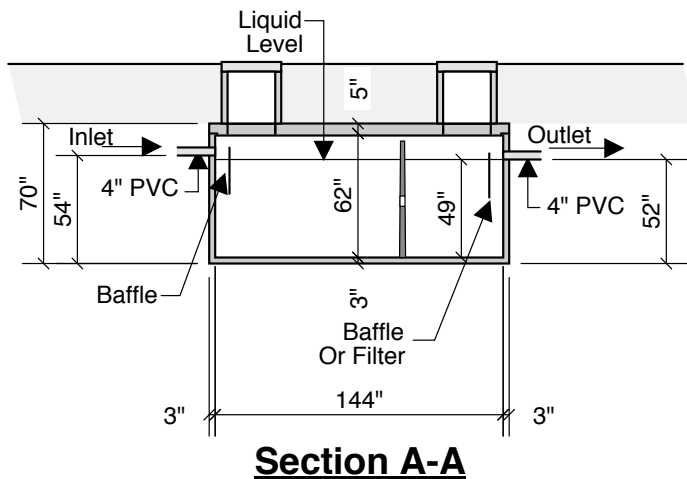
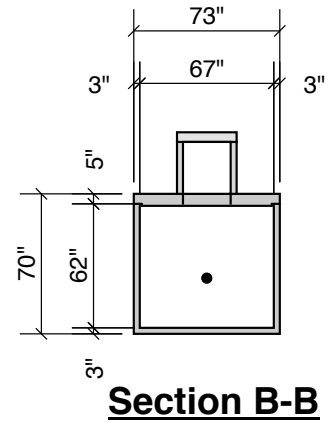
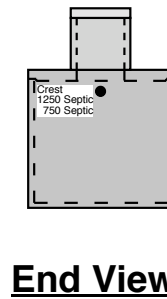
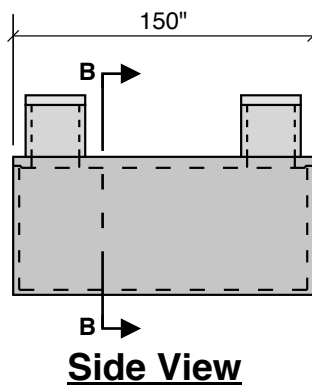
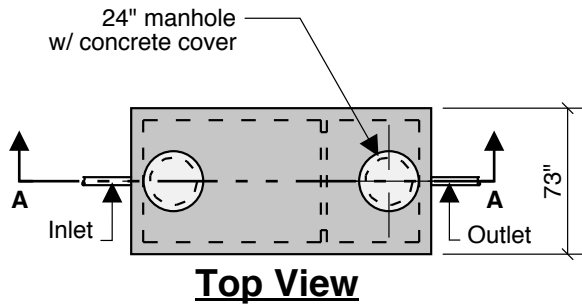


**2000 MDS GALLON  
49" LL  
54" INLET**

**Double Septic**



**2 Compartment 2000 Gallon Septic Tank**

**1250 Gallons - Compartment #1  
750 Gallons - Compartment #2**

Notes:  
Concrete - 5000 PSI  
Joint Sealant - High Grade EZ-Stick  
Labels - Warning signs located on all manholes  
Installation - See separate installation guide  
Baffles Installed  
Rubber Gaskets - Press Seal

<b>Crest Precast, Inc.</b>		Drawn By: <b>KGT</b>
<b>La Crescent, MN &amp; Barneveld, WI</b>		Revision:
800-658-9045		
Scale:		
Date:		
<b>Project:</b>	<b>SEPTIC TANK 2000 GALLON DOUBLE SEPTIC</b>	
<b>Contractor:</b>	Drawing Number:	<b>MODEL 2000-MDS</b>