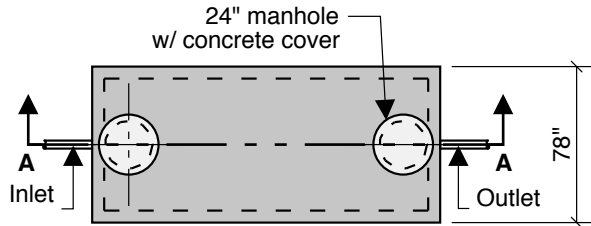
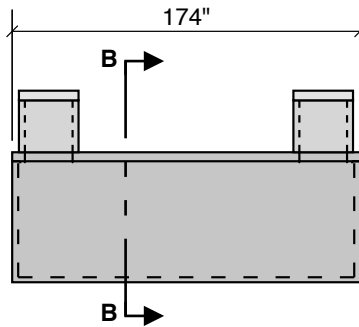


**2000 SL DS GALLON
43" LL
48" INLET**

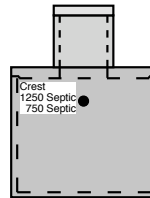
Double Septic



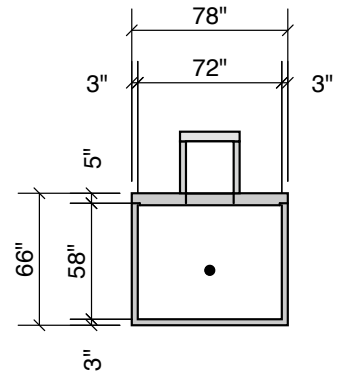
Top View



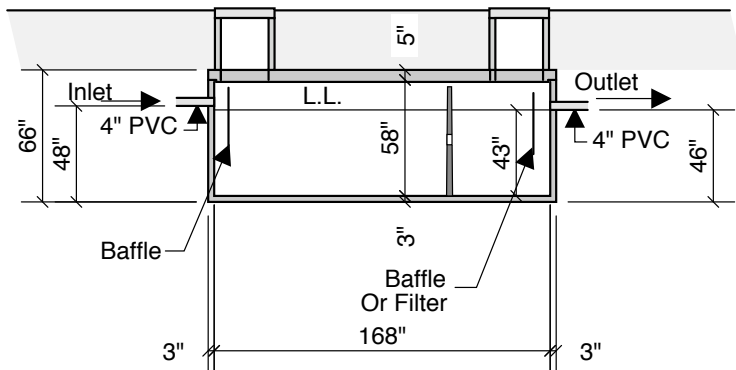
Side View



End View

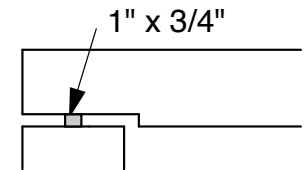


Section B-B



Section A-A

**1250 Gallons - Compartment #1
750 Gallons - Compartment #2**



Typical Cover Detail

Notes:
Concrete - 5000 PSI
Joint Sealant - High Grade EZ-Stick
Labels - Warning signs located on all manholes
Installation - See separate installation guide
Baffles Installed
Rubber Gaskets - Press Seal

| | | |
|--|--|-------------------------|
| Crest Precast, Inc. | | Drawn By: KGT |
| La Crescent, MN & Barneveld, WI | | Revision |
| 800-658-9045 | | |
| Scale | | |
| Date | | |
| Project: | SEPTIC TANK 2000 GALLON SUPER LOW DOUBLE SEPTIC | |
| Contractor: | Drawing Number | MODEL 2000-SL DS |