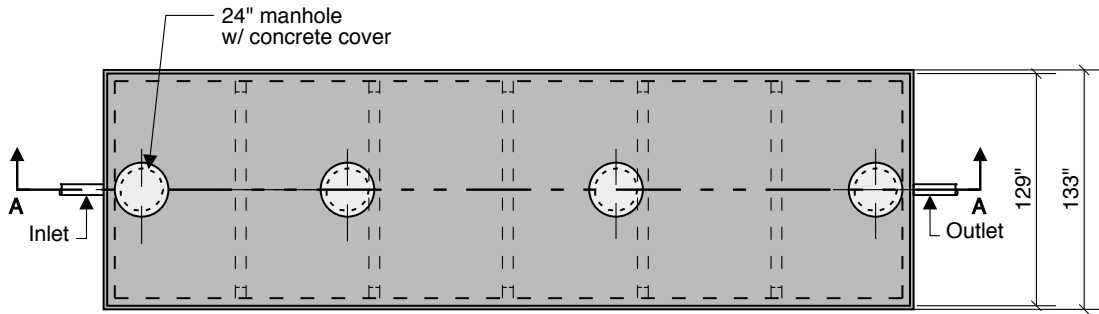
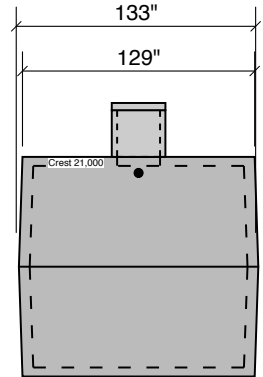


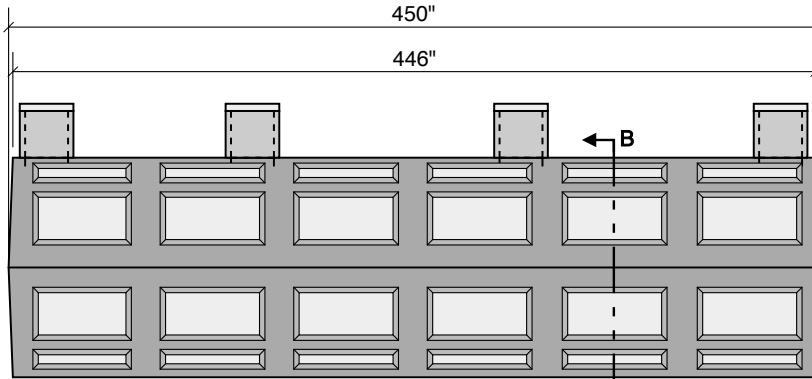
**21000 GALLON  
97" LL  
104" INLET**



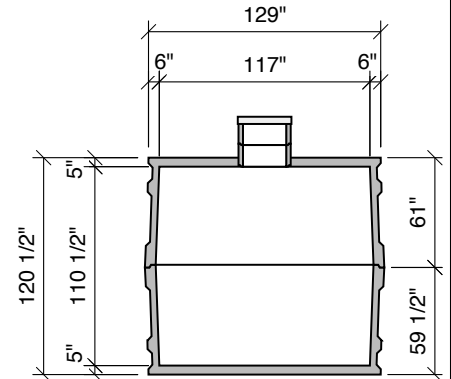
**Top View**



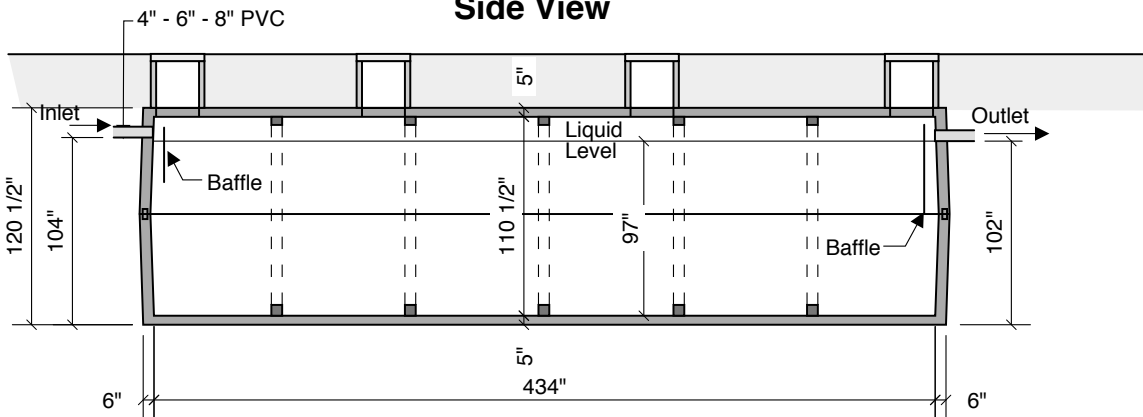
**End View**



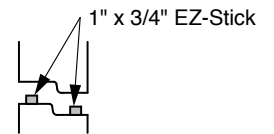
**Side View**



**Section B-B**



**Section A-A**



**Typical Tongue  
& Groove Joint**

- Notes:  
 Concrete - 5000 PSI  
 Joint Sealant - High Grade EZ-Stick  
 Labels - Warning signs located on all manholes  
 Installation - See separate installation guide  
 Baffles Installed  
 Rubber Gaskets - Press Seal

<b>Crest Precast, Inc.</b>		<b>La Crescent, MN &amp; Barneveld, WI</b>	
800-658-9045		800-658-9045	
Scale		Drawn By:	KGT
Date		Revision	
Project:		<b>SEPTIC TANK 21,000 GALLON</b>	
Contractor:		Drawing Number	<b>MODEL 21000</b>