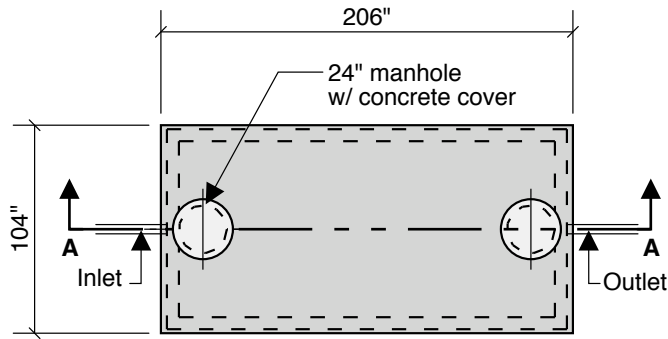
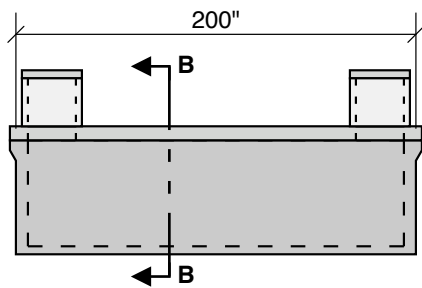


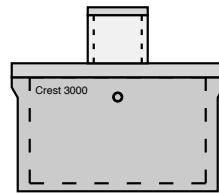
**3000 GALLON
44" LL
50" INLET**



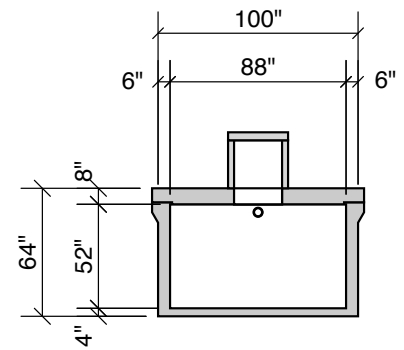
Top View



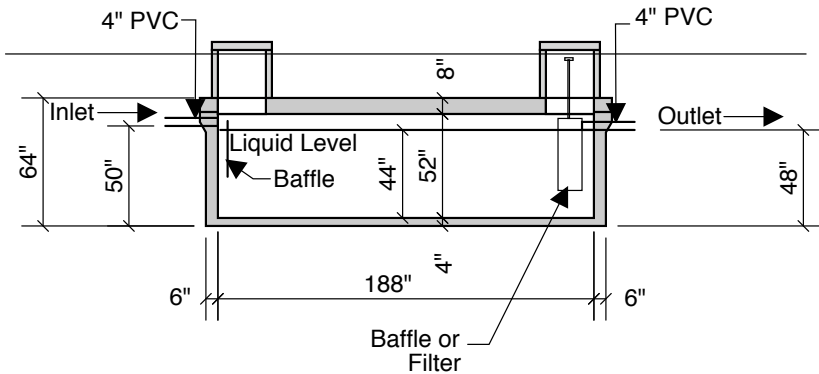
Side View



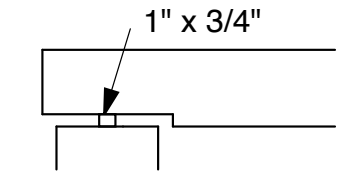
End View



Section B-B



Section A-A



Typical Cover Detail

Notes:
 Concrete - 5000 PSI
 Joint Sealant - High Grade EZ-Stick
 Labels - Warning signs located on all manholes
 Installation - See separate installation guide
 Baffles Installed
 Rubber Gaskets - Press Seal

Crest Precast, Inc.
La Crescent, MN & Barneveld, WI
 800-658-9045

Scale		Drawn By:	KGT
Date		Revision	

**Project: SEPTIC TANK
3000 GALLON MEDIUM**

Contractor:

Drawing Number
MODEL 3000-M