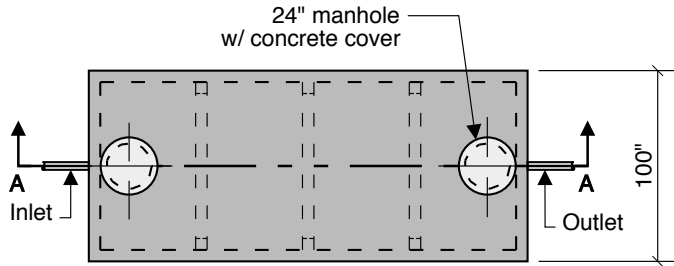
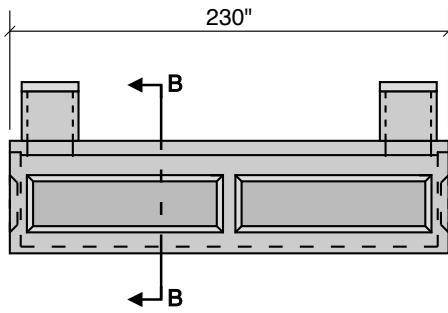


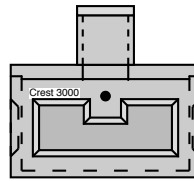
**3000 GALLON  
36" LL  
42" INLET**



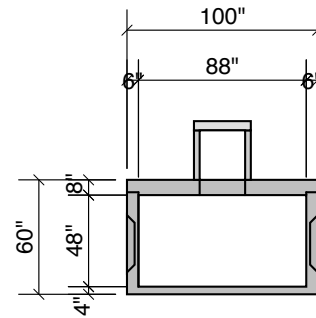
**Top View**



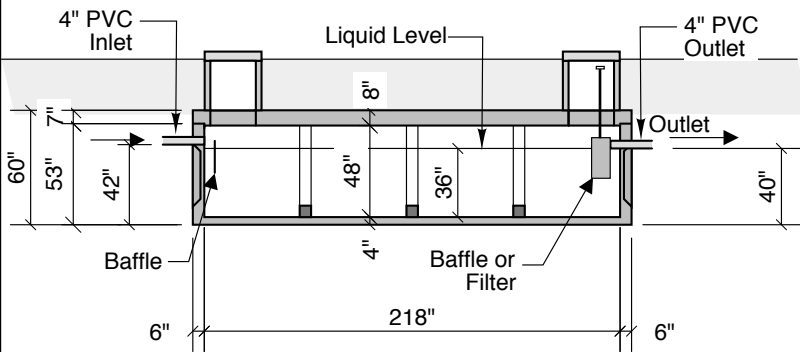
**Side View**



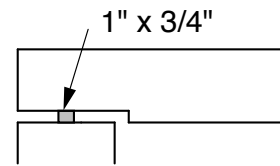
**End View**



**Section B-B**



**Section A-A**



**Typical Cover Detail**

- Notes:  
 Concrete - 5000 PSI  
 Joint Sealant - High Grade EZ-Stick  
 Labels - Warning signs located on all manholes  
 Installation - See separate installation guide  
 Baffles Installed  
 Rubber Gaskets - Press Seal

**Crest Precast, Inc.**  
**La Crescent, MN & Barneveld, WI**  
 800-658-9045

Scale		Drawn By:	KGT
Date	4-23-20	Revision	4-30-20
Project:	SEPTIC TANK 3000 GALLON SUPER LOW		
Contractor:	Drawing Number <b>MODEL 3000-SL</b>		