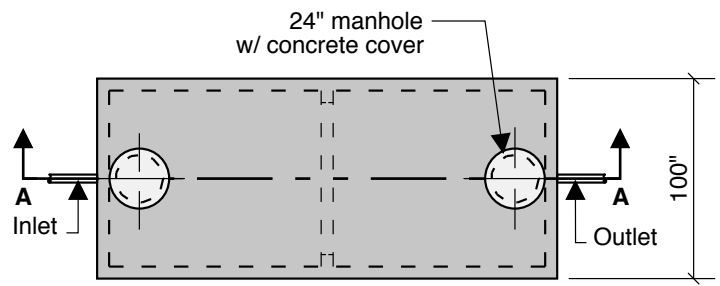
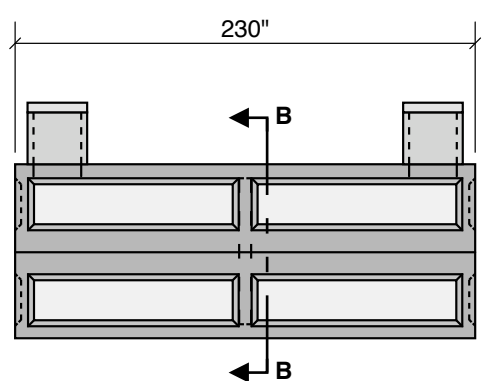


**5000 RDS GALLON
63" LL
70" INLET**

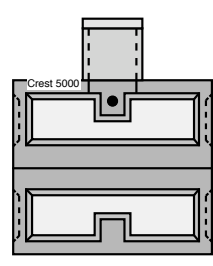
Double Septic



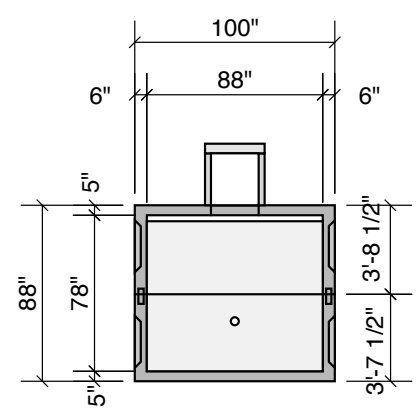
Top View



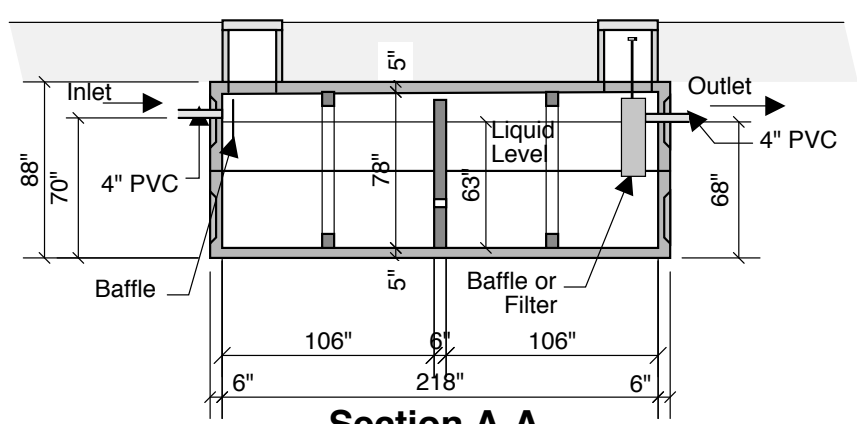
Side View



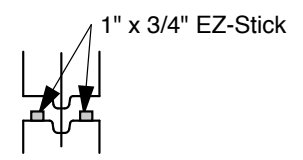
End View



Section B-B



Section A-A



Typical Tongue & Groove Joint

2 Compartment 5000 Gallon Septic Tank

**2,500 Gallons - Compartment #1
2,500 Gallons - Compartment #2**

- Notes:
 Concrete - 5000 PSI
 Joint Sealant - High Grade EZ-Stick
 Labels - Warning signs located on all manholes
 Installation - See separate installation guide
 Baffles Installed
 Rubber Gaskets - Press Seal

Crest Precast, Inc.		Drawn By: KGT
La Crescent, MN & Barneveld, WI		Revision:
800-658-9045		
Scale:		
Date:		
Project:	SEPTIC TANK 5000 GALLON	
Contractor:	Drawing Number	MODEL 5000-RDS