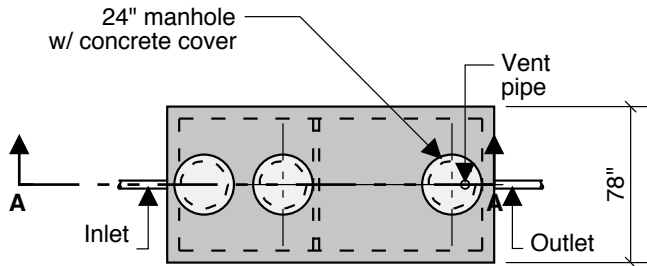
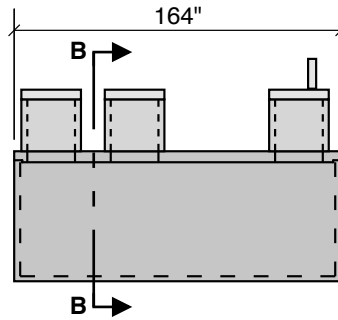


**1000 Septic 1000 Pump
43" LL
48" INLET**

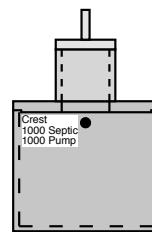
COMBINATION SEPTIC - PUMP



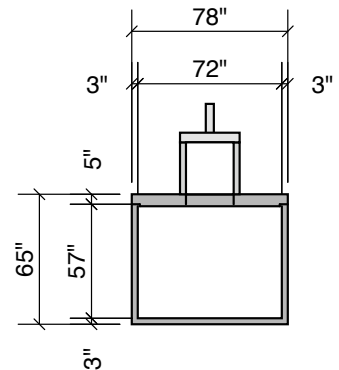
Top View



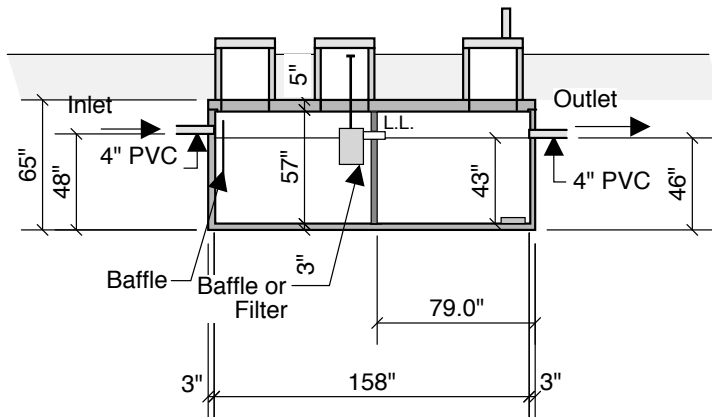
Side View



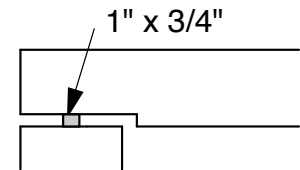
End View



Section B-B



Section A-A



Typical Cover Detail

Notes:
 Concrete - 5000 PSI
 Joint Sealant - High Grade EZ Stick
 Labels - Warning signs located on all manholes
 Installation - See separate installation guide
 Baffles Installed
 Rubber Gaskets - Press Seal
 Sealed Interior Wall

**Septic Tank Size 1,000 gal
 Pump Chamber 1,000 gal
 23.70 G.P.I. in Pump Chamber**

Crest Precast, Inc.		Drawn By: KGT
La Crescent, MN & Barneveld, WI		Revision
800-658-9045		
Scale		
Date		
Project:	SEPTIC-PUMP TANK	
Contractor:	Drawing Number	MODEL 1000-1000-48