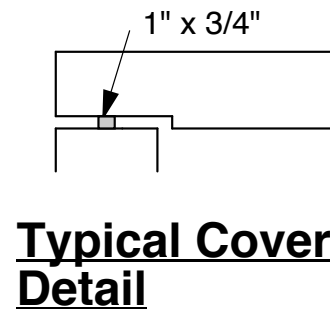
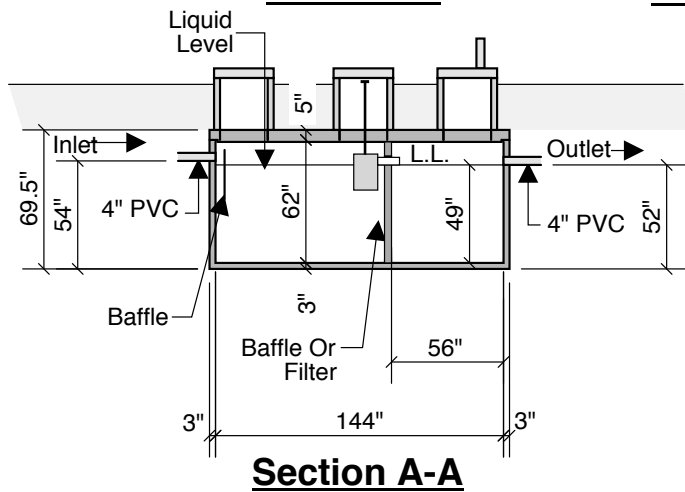
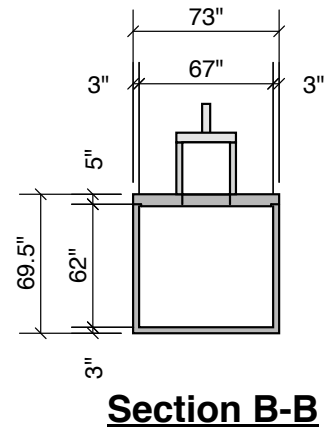
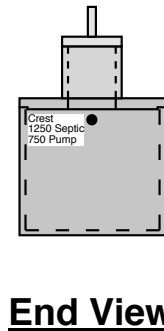
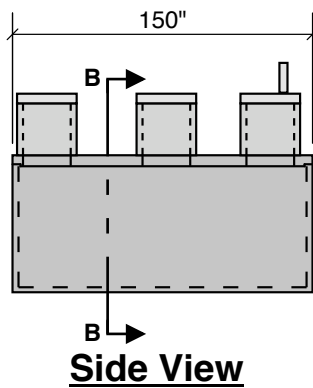
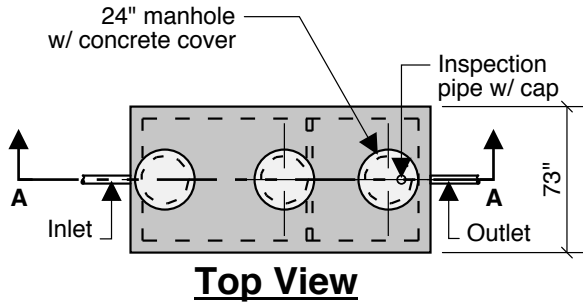


**1250 Septic 750 Pump
49" LL
54" INLET**

COMBINATION SEPTIC - PUMP



**Septic Tank Size 1,250 gal
Pump Chamber 750 gal
15.6 G.P.I. In Pump Chamber**

- Notes:**
 Concrete - 5000 PSI
 Joint Sealant - High Grade EZ Stick
 Labels - Warning signs located on all manholes
 Installation - See separate installation guide
 Baffles Installed
 Rubber Gaskets - Press Seal
 Sealed Interior Wall

Crest Precast, Inc.		Drawn By: KGT
La Crescent, MN & Barneveld, WI		Revision
800-658-9045		
Scale		
Date		
Project:	SEPTIC-PUMP TANK	
Contractor:	Drawing Number	MODEL 1250-750-54