
Pete Fowler
CONSTRUCTION
Services, Inc.

San Clemente, CA Portland, OR
T: (949) 240-9971 F: (949) 240-9972 T: (503) 246-3744 F: (949) 240-9972

Who We Are

Pete Fowler Construction Services, Inc. (PFCS) is a team of building consultants who aid clients with all types of *building problems*: from physical building performance to building process issues such as planning or disputes. Our services include expert construction consulting, inspection and testing, estimating, management, training, and testimony. Our team is the best in the business and we use our unique system to develop and deliver comprehensive solutions that steward our clients through their situation in the fastest, most cost effective way. PFCS creates actionable information that everyone can understand and use to make informed decisions.

Plan Reading 1. INTRODUCTION

Outline

1. Introduction
2. Types of Plans
3. Plan Reading
4. Typical Plan Sheets
5. Practice and Discussion
6. Specifications
7. Design Process
8. Summary

www.petefowler.com © 2007 Pete Fowler Construction Services, Inc. 3

Plan Reading 1. INTRODUCTION

Why Are We Here?

Plan Reading is for anyone who needs to be able to understand construction project documents. It is not only architects, engineers and builders who need to be able to read plans. Owners, agents and users of buildings can and should acquire the skills to understand construction drawings. We can help.

The presentation is designed to introduced and orient the attendee to how plans for construction are organized, show the attendees the types of drawings they are likely to see in various project types, and to enable the attendee to understand the intent of the designers who crated the plans.

www.petefowler.com © 2007 Pete Fowler Construction Services, Inc. 4

Learning Objectives

- Introduction and orientation to how plans for construction are organized
- Review of common construction documents
- Teach you to read the plans and interpret design intent

How People (Particularly Adults) Learn

According to *The Business Literacy Institute*, after three days of training, people remember:

- 10% of what they read
- 20% of what they hear
- 30% of what they see
- 50% of what they see and hear
- 70% of what they say
- 90% of what they say and do

How People (Particularly Adults) Learn

Effective Teaching must include the following:

1. Review to access prior knowledge and orient the learner.
2. Presentation of material.
3. Guided practice with constructive feedback. This is the most important step – and the hardest one to do in a “Seminar” format.
4. Independent practice.
5. Review and consolidation.

Question: What are we going to learn?

- A. How plans for construction are organized.
- B. A review of common construction documents.
- C. To read the plans and interpret design intent.
- D. A, B, and C.

Plan Reading

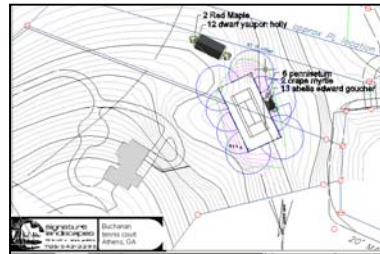
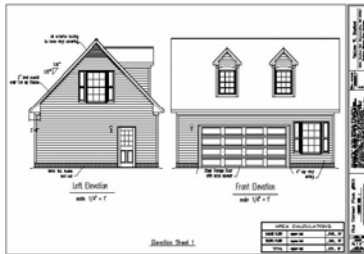
1. INTRODUCTION

Question: How do adults learn?

- A. By actively engaging in the course materials verbally and in writing.
- B. By being very quiet during the training.
- C. By identifying the concepts, rules, strategies and "big ideas" that are being taught.
- D. A and C.

Plan Reading

2. TYPES OF PLANS



Types of Plans

- Architectural Plans (A Sheet)
- Civil Plans (C Sheets)
- Structural Plans (S Sheets)
- Mechanical Plans (M Sheets)
- Plumbing Plans (P Sheets)
- Landscaping Plans (L Sheet)
- Interior (Design) Plans (I Sheet)
- Underground Utilities (U Sheet)
- Roadwork / Paving (often in the C Sheets)

Question: Where do we find the shape of the building?

- A. Mechanical Plans (M Sheet)
- B. Electrical Plans (E Sheet)
- C. Landscaping Plans (L Sheet)
- D. Architectural Plans (A Sheet)

Question: Where do we find information about the structural framing components?

- A. Architectural Plans (A Sheets)
- B. Mechanical Plans (M Sheets)
- C. Structural Plans (S Sheets)
- D. Landscaping Plans (L Sheets)

Question: Where do we find information about planting?

- A. Architectural Plans (A Sheets)
- B. Mechanical Plans (M Sheets)
- C. Structural Plans (S Sheets)
- D. Landscaping Plans (L Sheets)

Question: Where do we find information about the location of the electrical outlets?

- A. Architectural Plans (A Sheets)
- B. Mechanical Plans (M Sheets)
- C. Electrical Plans (E Sheets)
- D. Structural Plans (S Sheets)

Question: Where do we find information about the size of the water supply pipes?

- A. Architectural Plans (A Sheets)
- B. Plumbing Plans (P Sheets)
- C. Structural Plans (S Sheets)
- D. Landscaping Plans (L Sheets)

Plan Reading

3. PLAN READING



www.petefowler.com

© 2007 Pete Fowler Construction Services, Inc.

17

Plan Reading

3. PLAN READING

Views

- A. Plan View
- B. Elevation View
- C. Sections
- D. Details
- E. Perspective
- F. Isometric (Still Rare)
- G. Rendering (Rare on Plans)
- H. Exploded (Rare on Plans)
- I. Profile View (Civil Drawings – Like a Section)

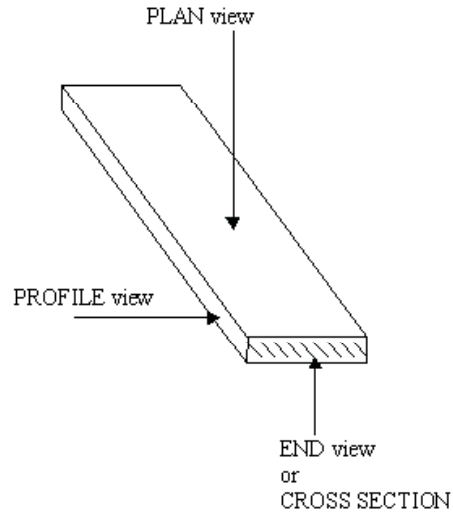
www.petefowler.com

© 2007 Pete Fowler Construction Services, Inc.

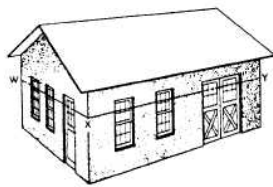
18

Views

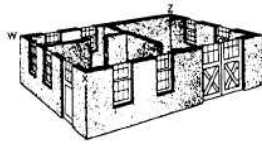
- A. Plan View
- B. Elevation (Profile) View
- C. Section
- D. Perspective/ Isometric



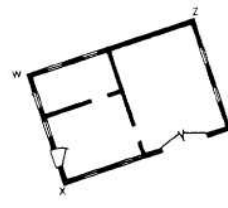
Views: Plan View (1 of 5)



PERSPECTIVE VIEW OF A TYPICAL T. O. BUILDING SHOWING CUTTING PLANE WXY

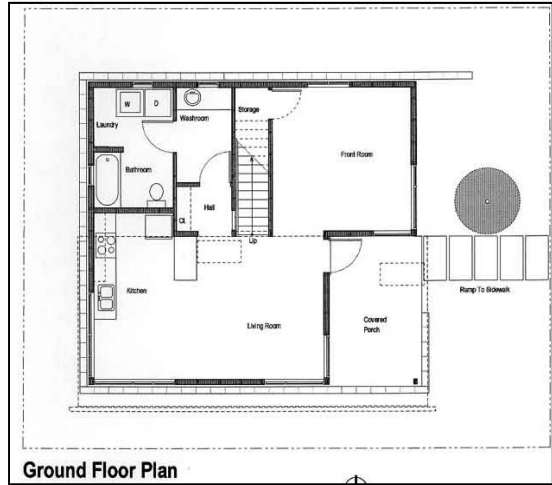


PREVIOUS PERSPECTIVE VIEW AT CUTTING PLANE WXYZ, TOP REMOVED



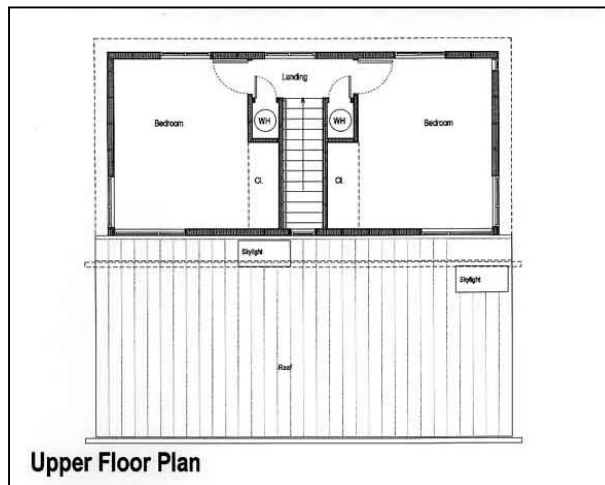
DEVELOPED FLOOR PLAN WXYZ

Views: Plan View (2 of 5)



Ground Floor Plan

Views: Plan View (3 of 5)

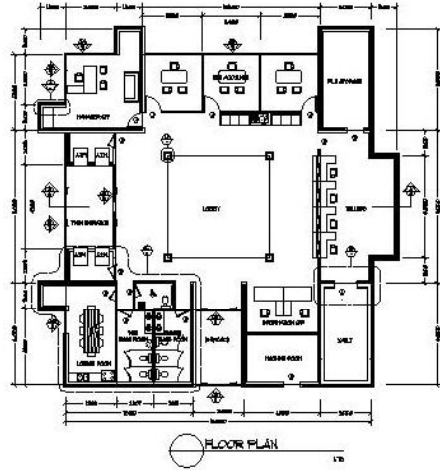


Upper Floor Plan

Plan Reading

3. PLAN READING

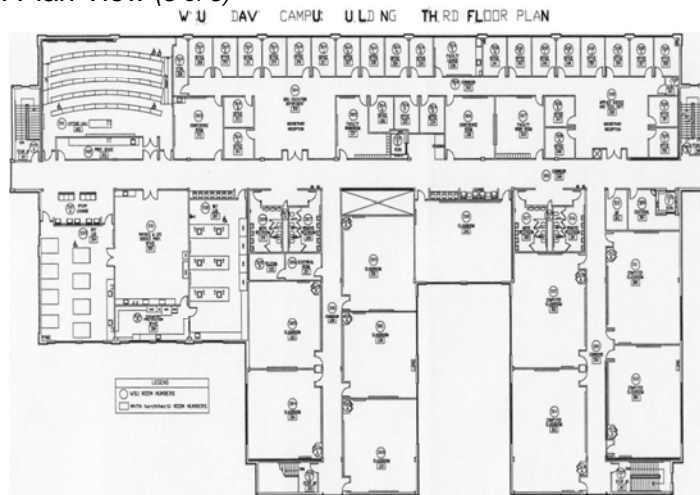
Views: Plan View (4 of 5)



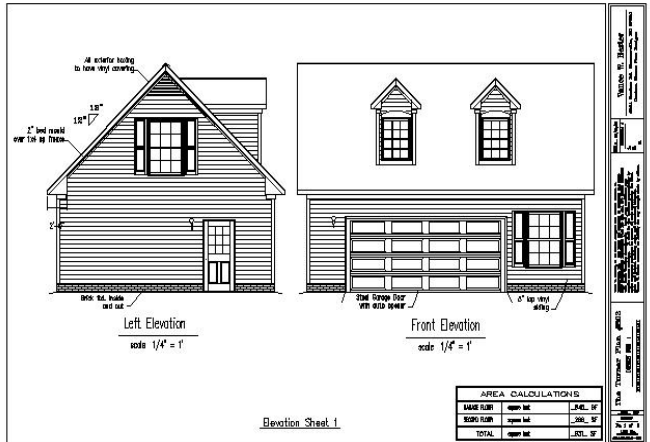
Plan Reading

3. PLAN READING

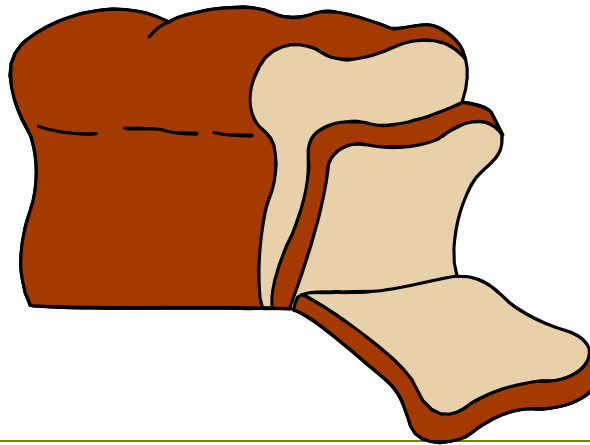
Views: Plan View (5 of 5)



Views: Elevation View



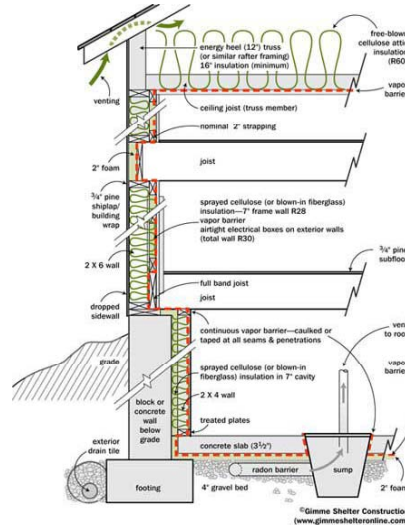
Views: Sections (1 of 3)



Plan Reading

3. PLAN READING

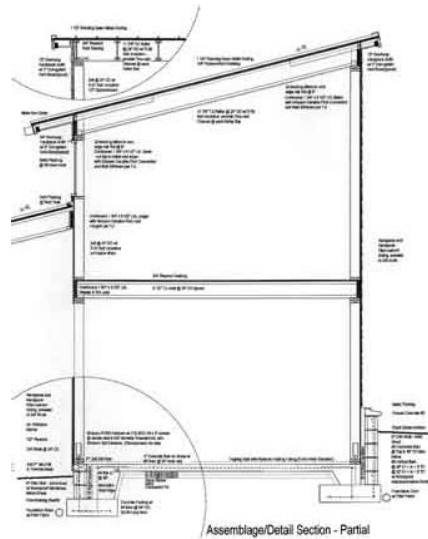
Views: Sections (2 of 3)



Plan Reading

3. PLAN READING

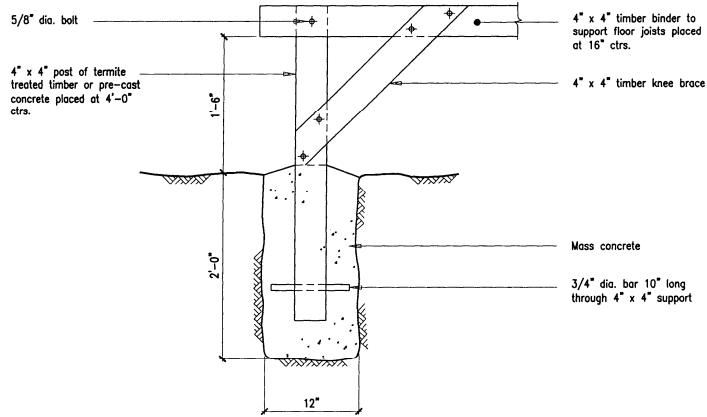
Views: Sections (3 of 3)



Plan Reading

3. PLAN READING

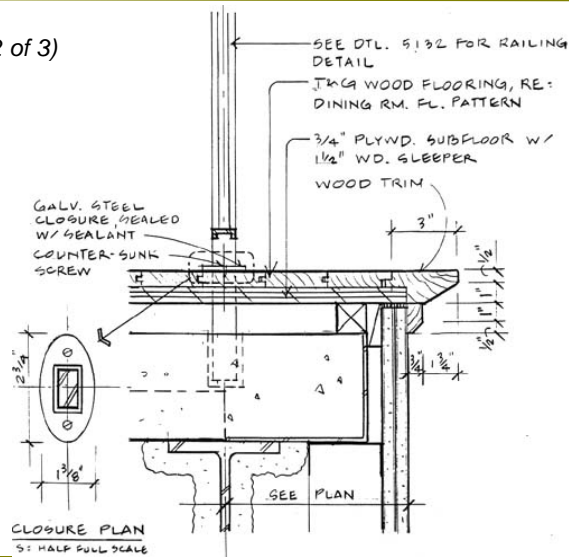
Views: Details (1 of 3)



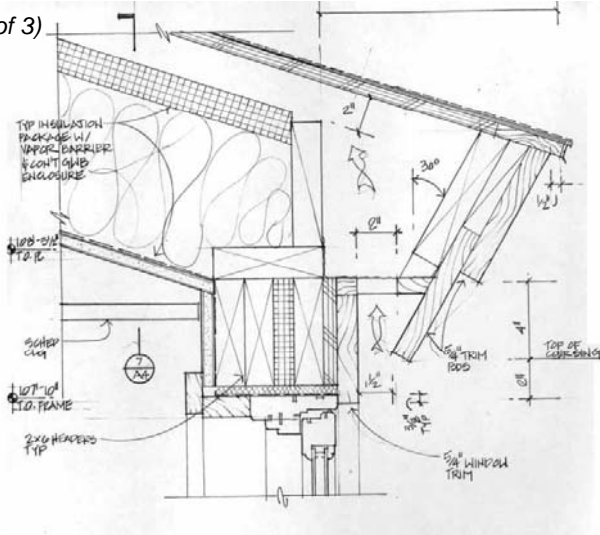
Plan Reading

3. PLAN READING

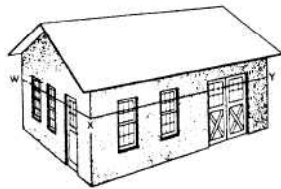
Views: Details (2 of 3)



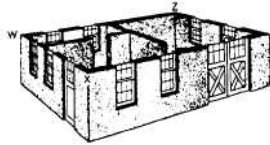
Views: Details (3 of 3)



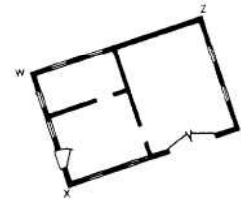
Views: Perspective



PERSPECTIVE VIEW OF A TYPICAL T. O. BUILDING SHOWING CUTTING PLANE WXY



PREVIOUS PERSPECTIVE VIEW AT CUTTING PLANE WXYZ, TOP REMOVED

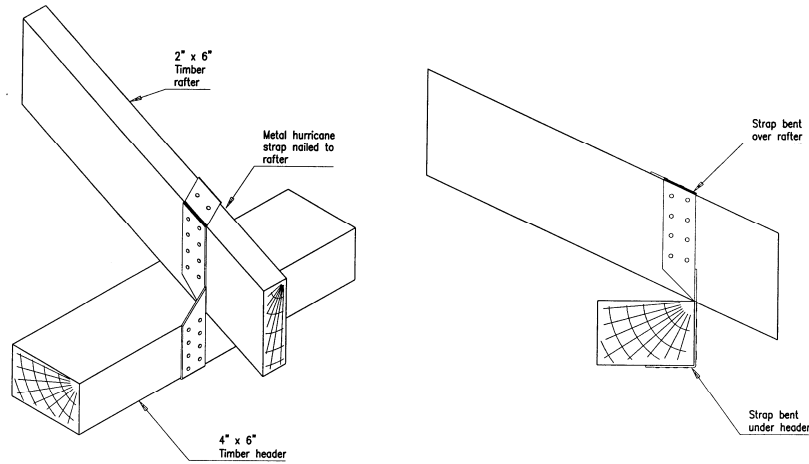


DEVELOPED FLOOR PLAN WXYZ

Plan Reading

3. PLAN READING

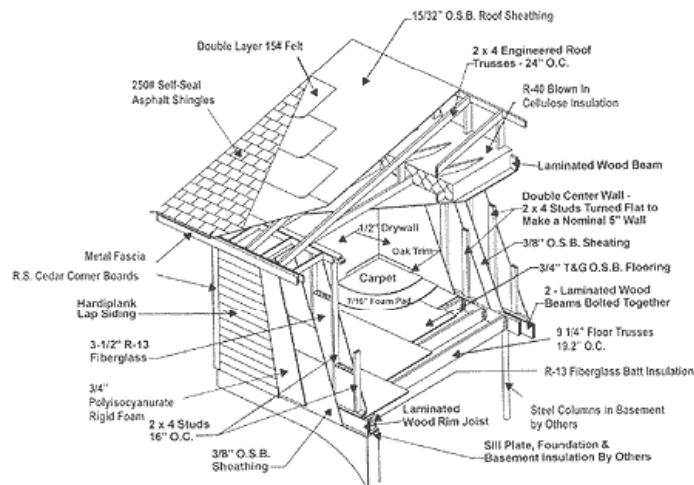
Views: Isometric (Still Rare) (1 of 2)



Plan Reading

3. PLAN READING

Views: Isometric (Still Rare) (2 of 2)



Views: Rendering (Rare on Plans) (1 of 2)



EXTERIOR ELEVATION
DATE: SEPTEMBER 4, 2007
PROJECT NUMBER: 238887D
DRAWN BY: [unreadable]
SAN FERNANDO REGIONAL POOL FACILITY
SAN FERNANDO, CALIFORNIA
MAPLE DELL + McCLELLAND
ARCHITECTS, LLP
10000 W. WILSON AVENUE, SUITE 100
WESTGATE, CALIFORNIA 91390
TEL: (626) 297-1100
WWW.MAPLEDELL.COM

Views: Rendering (Rare on Plans) (2 of 2)

