



Sump, Sewage, & Effluent Pumps

DuraMAC™ | Guardian

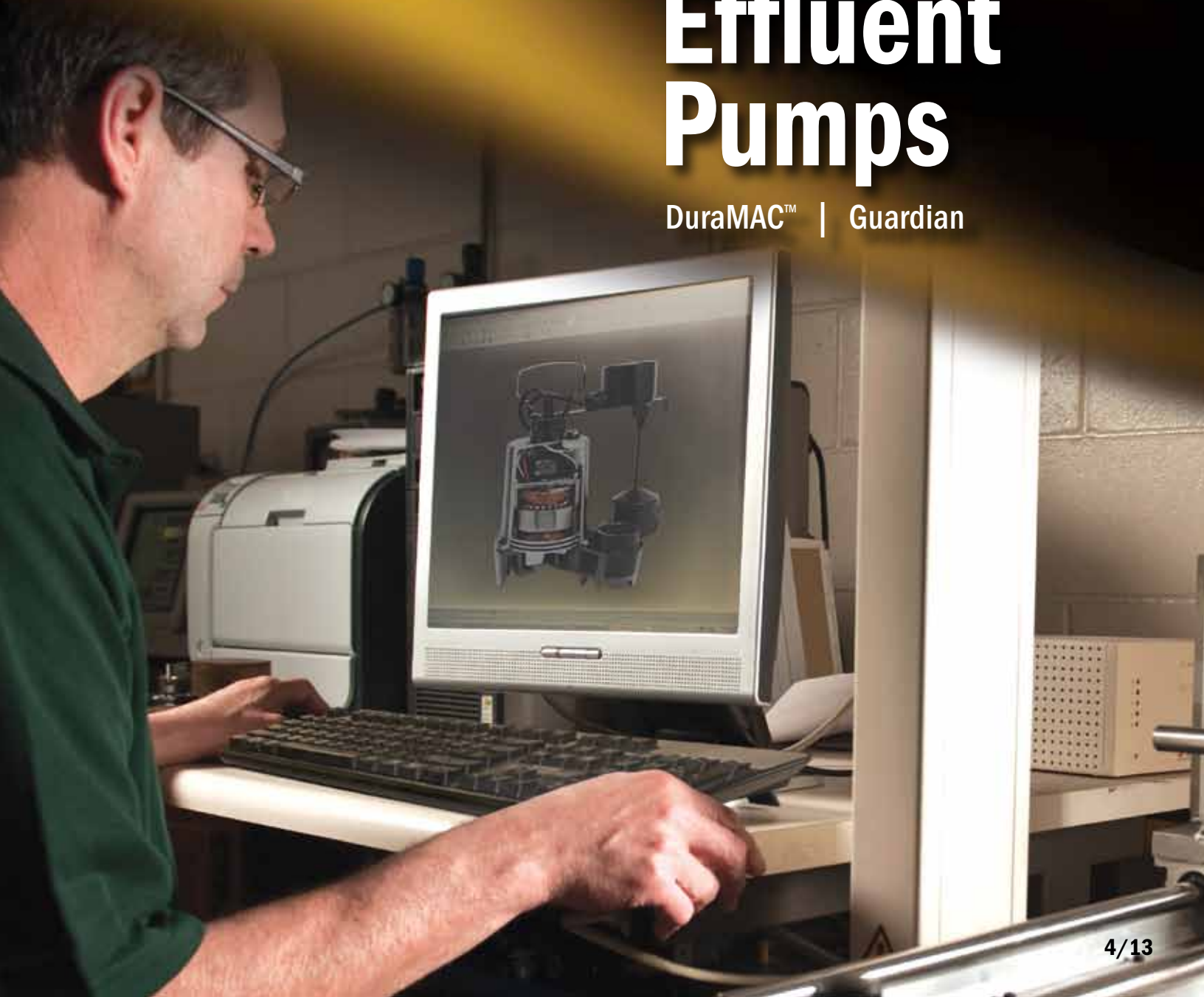


Table of Contents

	Page
General Information.....	3
Order / Identify Pump Ends	3

Utility Pumps

5020PUUP	4
----------------	---

Sump Pumps

5025PTSP	5
5025PVSP	6
5030CVSP, 5030CUSP, & 5030CUSP26	7
5030CTSP	8
5033PVSP	9
5033CVSP, 5033CUSP, & 5033CUSP26	10
5033CVSPEZ	11
5050CVSP & 5050CUSP25	12
5033PVPD	13
5050CVPD	14
5030CVSPK	15
5030CVSPCSK	16
5025PTSPCWB	17

Effluent Pumps

5033CUEF & 5033CTEF25	18
5050CUEF, 5050CUEF25, 5050CTEF, & 5050CTEF25	19
5050CVEF	20
5040CUEFH25, 5040CTEFH25, 5050CUEFH25, & 5050CTEFH25	21

Sewage Pumps

5050CUSJ & 5050CVSJ	22
5050CTSJ & 5050CTSJ25	23
5050CUSJ15, 5050CTSJ15, & 5050CVSJ15	24

Sewage Packages

5050CTSJPAC	25
5050CTSJPACSDA	26
5050CTSJPAC24	27

Sump Pump Backups

5050CTSJPACSL	28
5030CVSPBUSS	29
5033CVSPBUSS	30
5000PVSPBU	31
747H20 - Guardian	32-33

Pump Accessories

5000BLK	34
Filters	34
Impellers	34
Floats	34

How to Order Sump Pumps

Order by Model Number. Example: 5020PUUP

5

Series
5 - Series

020

Horsepower
020 - 1/5 HP
025 - 1/4 HP
030 - 3/10 HP
033 - 1/3 HP
040 - 4/10 HP
050 - 1/2 HP

P

Construction
P - Plastic
C - Cast iron

U

Switch Type
T - Tethered
V - Vertical
U - None/Utility

UP

Pump Type
UP - Utility pump
SP - Sump pump
EF - Effluent pump
SJ - Sewage ejector
PD - Pedestal pump

Specials

PAC - Simplex system
H - High Head
K - Sink system
EZ - EZ install
15 - 15' Cord
25 - 25' Cord
BLK - Mounting block
LS - Lake screen filter
PACSL - Simplex system w/split lid
BU - Battery backup
CWB - Clearwater basin
CSK - Crawl space kit
PAC24 - Simplex system 24 x 24
BUSS - Battery backup side x side
SDA - Side discharge with alarm

Locating the Serial Number on the Tag/Pump

DATE CODE
MONTH - YEAR

SERIAL NUMBER IS UNIQUE TO EACH PUMP

MODEL - 5025PVSP
1/4 HP PLASTIC SUMP PUMP

VOLTS 120	HP 1/3	92260
Hz 60	AMPS 3.8	
PHASE 1	WATTS 812	
DATE CODE 0511	RPM 3450	
SERIAL #		
THERMALLY PROTECTED		

DATE OF SALE / INSTALLATION

1 2 3 4 5 6 7 8 9 10 11 12
2009 2010 2011 2012 2013

INSTALLER SHOULD PUNCH DATES AT TIME OF INSTALLATION

5020PUUP

This pump can handle up to 26 gallons per minute. With a tough thermoplastic construction and a sleek design that allows the pump to fit in a 6" opening.

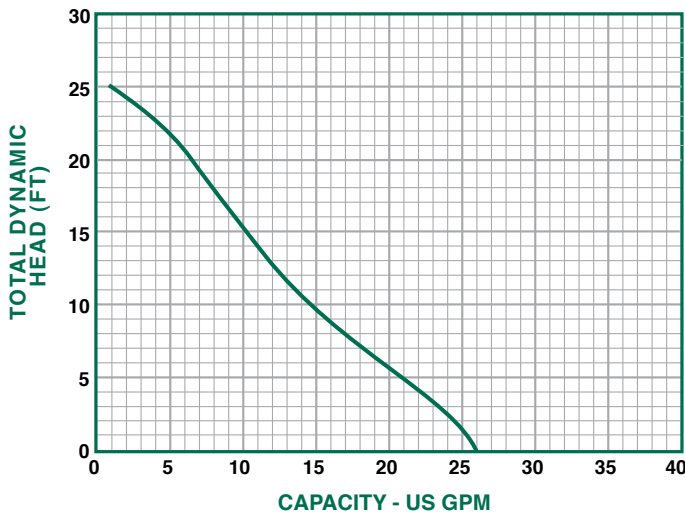
Features

- Split Capacitor Motor - 1/5 HP continuous duty, thermal protected
- Lifts water up to 25' of vertical height
- 10' Power Cord
- 3/4" Garden hose adapter included
- Large 1 1/4" discharge for high capacity pumping



See Pumps & Accessories Price List for Limited Warranty details.

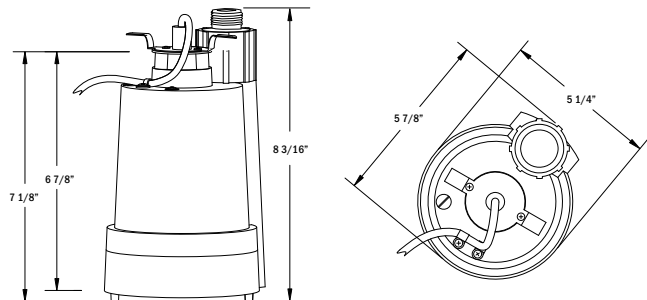
Utility Pump Performance Curve



PERFORMANCE CHART

Model	Gallons per Minute in Feet					
	0	5	10	15	20	25
5020PUUP	26	21	14	10	7	1

Dimensions



SUBMERSIBLE PLASTIC UTILITY PUMP - 1 1/4" DISCHARGE

Model	HP	Volts	Hz	Amps	Construction	Discharge Size	Cord Length	Solids Handling	RPM	Phase
5020PUUP	1/5	120	60	3.6	Thermoplastic	1 1/4"	10'	1/8"	3450	1

5025PTSP

With a tough thermoplastic construction, this pump can handle up to 30 gallons per minute.

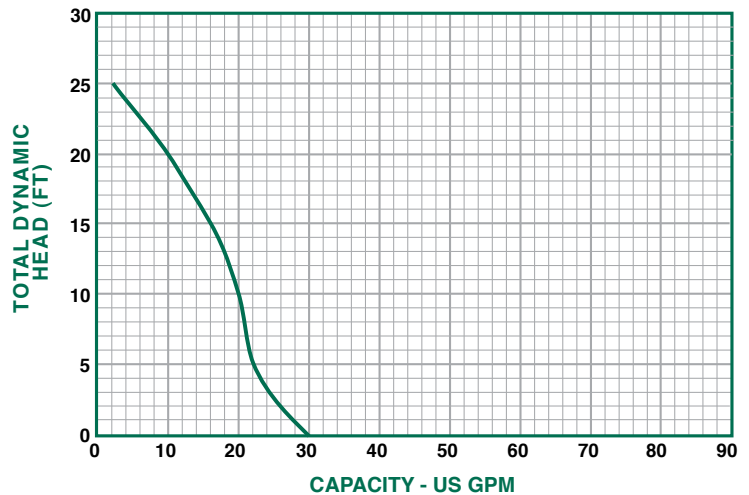
Features

- Split Capacitor Motor - 1/4 HP continuous duty, thermal protected
- Lifts water up to 25' of vertical height
- 10' power cord, 25' cords are available for an additional charge
- Large 1 1/2" discharge for high capacity pumping

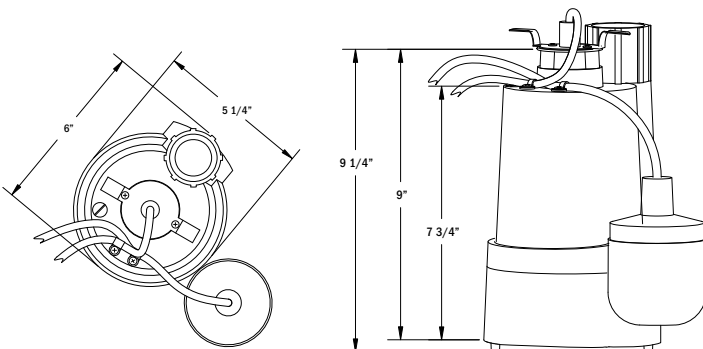


See Pumps & Accessories Price List for Limited Warranty details.

Sump Pump Performance Curve



Dimensions



PERFORMANCE CHART

Model	Gallons per Minute in Feet					
	0	5	10	15	20	25
5025PTSP	30	22	20	16	9	2

SUBMERSIBLE PLASTIC SUMP PUMP - 1 1/2" DISCHARGE

Model	HP	Volts	Hz	Amps	Construction	Discharge Size	Cord Length	Solids Handling	RPM	Phase
5025PTSP	1/4	120	60	3.8	Thermoplastic	1 1/2"	10'	1/8"	3450	1

5025PVSP

With a tough thermoplastic construction, this pump can handle up to 30 gallons per minute.

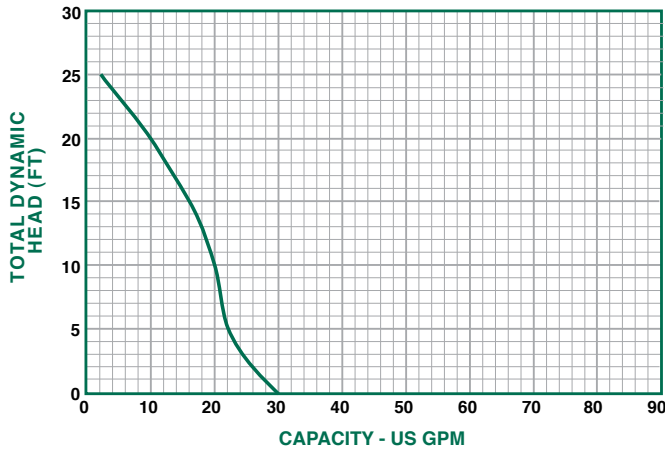
Features

- Split Capacitor Motor - 1/4 HP continuous duty, thermal protected
- Lifts water up to 25' of vertical height
- 10' power cord, 25' cords are available for an additional charge
- Large 1 1/2" discharge for high capacity pumping



See Pumps & Accessories Price List for Limited Warranty details.

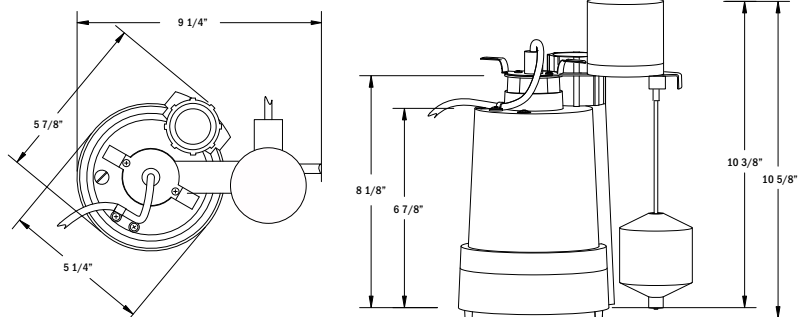
Sump Pump Performance Curve



PERFORMANCE CHART

Model	Gallons per Minute in Feet					
	0	5	10	15	20	25
5025PVSP	30	22	20	16	9	2

Dimensions



SUBMERSIBLE PLASTIC SUMP PUMP - 1 1/2" DISCHARGE

Model	HP	Volts	Hz	Amps	Construction	Discharge Size	Cord Length	Solids Handling	RPM	Phase
5025PVSP	1/4	120	60	3.8	Thermoplastic	1 1/2"	10'	1/8"	3450	1

5030CVSP, 5030CUSP, & 5030CUSP25

With a rugged cast iron construction, this pump can handle up to 46 gallons per minute.

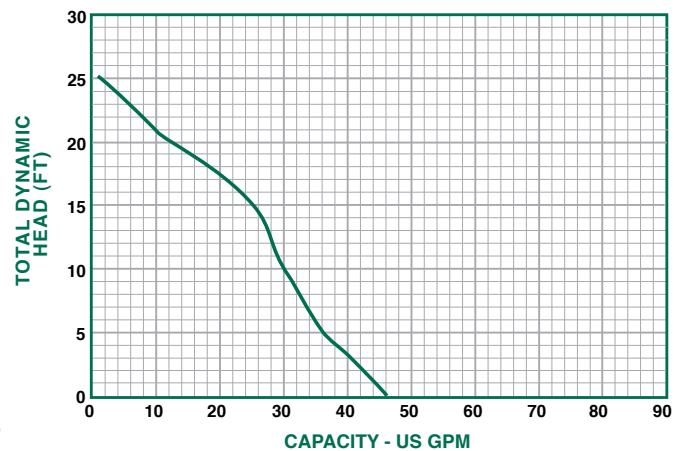
Features

- Split Capacitor Motor - 3/10 HP continuous duty, thermal protected
- Lifts water up to 25' of vertical height
- 10' power cord, 25' cords are available for an additional charge
- Large 1 1/2" discharge for high capacity pumping
- Also available without a switch

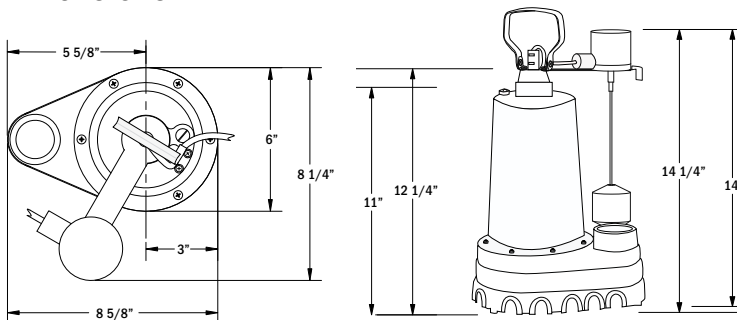


See Pumps & Accessories Price List for Limited Warranty details.

Sump Pump Performance Curve



Dimensions



PERFORMANCE CHART

Model	Gallons per Minute in Feet					
	0	5	10	15	20	25
5030CUSP						
5030CUSP25						
5030CVSP	46	36	30	25	12	1

SUBMERSIBLE CAST IRON SUMP PUMP - 1 1/2" DISCHARGE

Model	HP	Volts	Hz	Amps	Construction	Discharge Size	Cord Length	Solids Handling	RPM	Phase
5030CVSP	3/10	120	60	4.1	Cast Iron	1 1/2"	10'	3/8"	3450	1
5030CUSP (NO SWITCH)	3/10	120	60	4.1	Cast Iron	1 1/2"	10'	3/8"	3450	1
5030CUSP25 (NO SWITCH)	3/10	120	60	4.1	Cast Iron	1 1/2"	25'	3/8"	3450	1

5030CTSP

With a rugged cast iron construction, this pump can handle up to 46 gallons per minute.

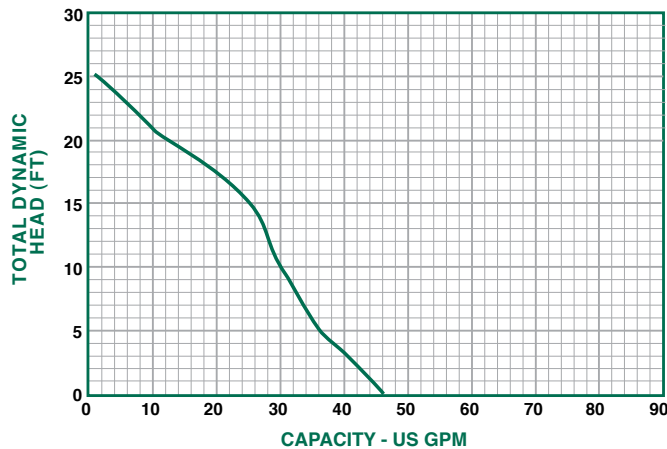
Features

- Split Capacitor Motor - 3/10 HP continuous duty, thermal protected
- Lifts water up to 25' of vertical height
- 10' power cord, 25' cords are available for an additional charge
- Large 1 1/2" discharge for high capacity pumping

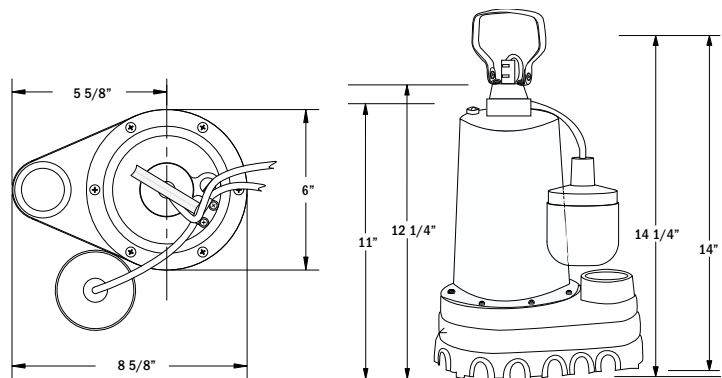


See Pumps & Accessories Price List for Limited Warranty details.

Sump Pump Performance Curve



Dimensions



PERFORMANCE CHART

Model	Gallons per Minute in Feet					
	0	5	10	15	20	25
5030CTSP	46	36	30	25	12	1

SUBMERSIBLE CAST IRON SUMP PUMP - 1 1/2" DISCHARGE

Model	HP	Volts	Hz	Amps	Construction	Discharge Size	Cord Length	Solids Handling	RPM	Phase
5030CTSP	3/10	120	60	4.1	Cast Iron	1 1/2"	10'	3/8"	3450	1

5033PVSP

With a tough thermoplastic construction, this pump can handle up to 40 gallons per minute.

Features

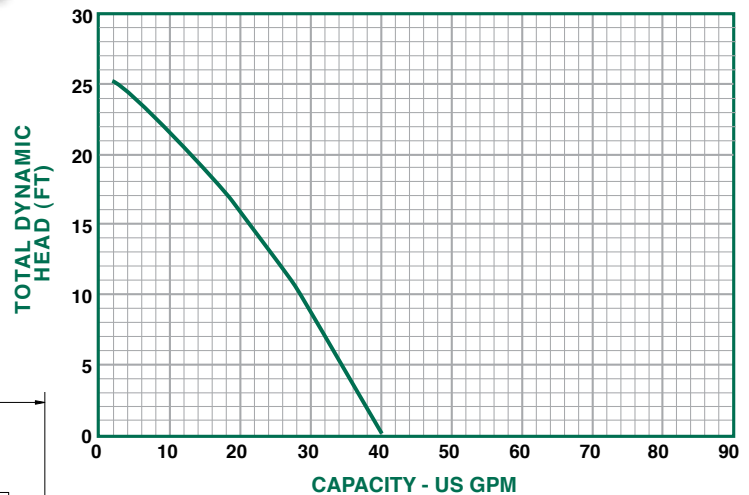
- Split Capacitor Motor - 1/3 HP continuous duty, thermal protected
- Lifts water up to 25' of vertical height
- 10' power cord, 25' cords are available for an additional charge
- Large 1 1/2" discharge for high capacity pumping



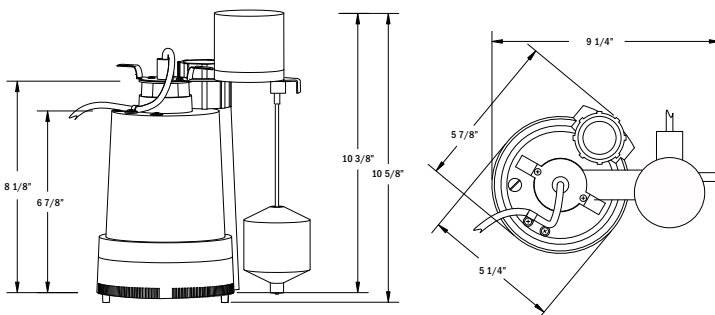
See Pumps & Accessories Price List for Limited Warranty details.



Sump Pump Performance Curve



Dimensions



PERFORMANCE CHART

Model	Gallons per Minute in Feet					
	0	5	10	15	20	25
5033PVSP	40	34	28	22	12	2

SUBMERSIBLE PLASTIC SUMP PUMP - 1 1/2" DISCHARGE

Model	HP	Volts	Hz	Amps	Construction	Discharge Size	Cord Length	Solids Handling	RPM	Phase
5033PVSP	1/3	120	60	4.1	Thermoplastic	1 1/2"	10'	1/8"	3450	1

5033CVSP, 5033CUSP, & 5033CUSP25

With a rugged cast iron construction, this pump can handle up to 60 gallons per minute.

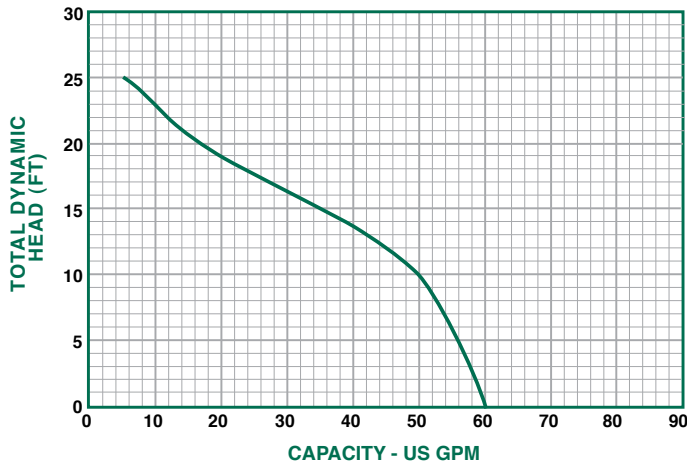
Features

- Split Capacitor Motor - 1/3 HP continuous duty, thermal protected
- Lifts water up to 25' of vertical height
- 10' power cord, 25' cords are available for an additional charge
- Large 1 1/2" discharge for high capacity pumping
- Also available without a switch



See Pumps & Accessories Price List for Limited Warranty details.

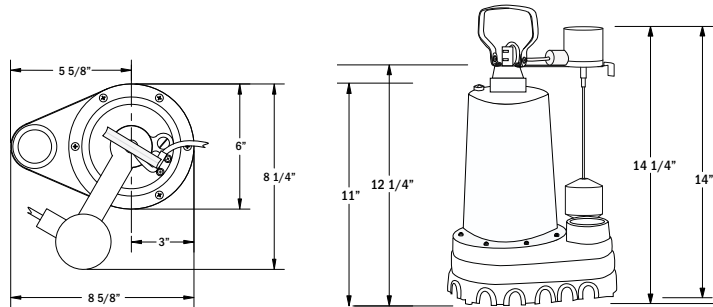
Sump Pump Performance Curve



PERFORMANCE CHART

Model	Gallons per Minute in Feet					
	0	5	10	15	20	25
5033CUSP						
5033CUSP25						
5033CVSP	60	56	50	35	15	6

Dimensions



SUBMERSIBLE CAST IRON SUMP PUMP - 1 1/2" DISCHARGE

Model	HP	Volts	Hz	Amps	Construction	Discharge Size	Cord Length	Solids Handling	RPM	Phase
5033CVSP	1/3	120	60	5.9	Cast Iron	1 1/2"	10'	1/2"	3450	1
5033CUSP (NO SWITCH)	1/3	120	60	5.9	Cast Iron	1 1/2"	10'	1/2"	3450	1
5033CUSP25 (NO SWITCH)	1/3	120	60	5.9	Cast Iron	1 1/2"	25'	1/2"	3450	1

5033CVSPEZ

This pump can handle up to 60 gallons per minute and has a rugged cast iron pump construction and a plastic base. It is preplumbed with a check valve and discharge pipe. Easy to install - everything you need is in one box.

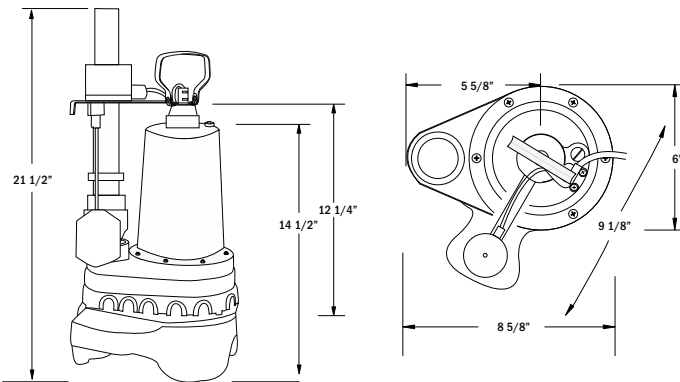
Features

- Pump is mounted to the base to prevent clogging and switch malfunction
- Split Capacitor Motor - 1/3 HP continuous duty, thermal protected
- Lifts water up to 25' of vertical height
- 10' power cord, 25' cords are available for an additional charge
- Large 1 1/2" discharge for high capacity pumping

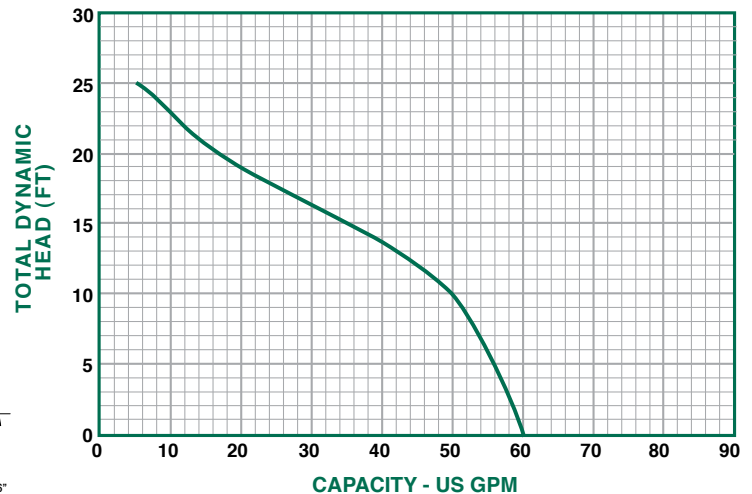


See Pumps & Accessories Price List for Limited Warranty details.

Dimensions



Sump Pump Performance Curve



PERFORMANCE CHART

Model	Gallons per Minute in Feet					
	0	5	10	15	20	25
5033CVSP	60	56	50	35	15	6

SUBMERSIBLE CAST IRON SUMP PUMP - 1 1/2" DISCHARGE

Model	HP	Volts	Hz	Amps	Construction	Discharge Size	Cord Length	Solids Handling	RPM	Phase
5033CVSP	1/3	120	60	5.9	Cast Iron	1 1/2"	10'	1/2"	3450	1

5050CVSP & 5050CUSP25

With a rugged cast iron construction, this pump can handle up to 70 gallons per minute.

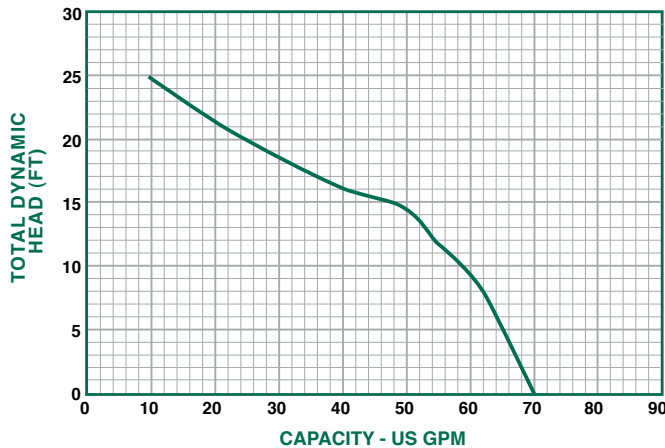
Features

- Split Capacitor Motor - 1/2 HP continuous duty, thermal protected
- Lifts water up to 25' of vertical height
- 10' power cord, 25' cords are available at an additional charge
- Large 1 1/2" discharge for high capacity pumping
- Also available without a switch



See Pumps & Accessories Price List for Limited Warranty details.

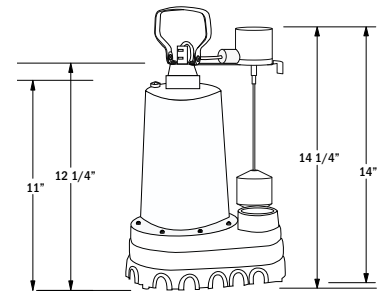
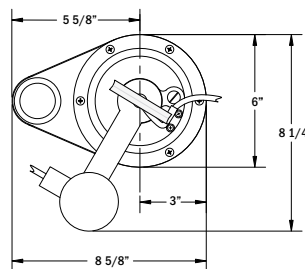
Sump Pump Performance Curve



PERFORMANCE CHART

Model	Gallons per Minute in Feet					
	0	5	10	15	20	25
5050CUSP25	70	66	58	48	25	10
5050CVSP	70	66	58	48	25	10

Dimensions



SUBMERSIBLE CAST IRON SUMP PUMP - 1 1/2" DISCHARGE

Model	HP	Volts	Hz	Amps	Construction	Discharge Size	Cord Length	Solids Handling	RPM	Phase
5050CVSP	1/2	120	60	7.6	Cast Iron	1 1/2"	10'	1/2"	3450	1
5050CUSP25 (NO SWITCH)	1/2	120	60	7.6	Cast Iron	1 1/2"	25'	1/2"	3450	1

5033PVPD

This pump is designed for use in sump basins 12" or larger. It has a thermoplastic base and will handle liquids up to 120°F.

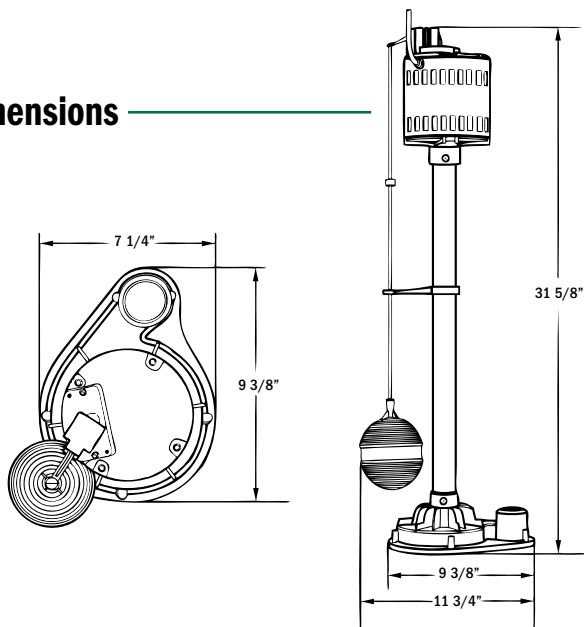
Features

- Fully adjustable automatic switch
- Metal switch arm for strength and durability
- 1 1/4" discharge for high capacity pumping
- Non-corrosive stainless steel drive shaft

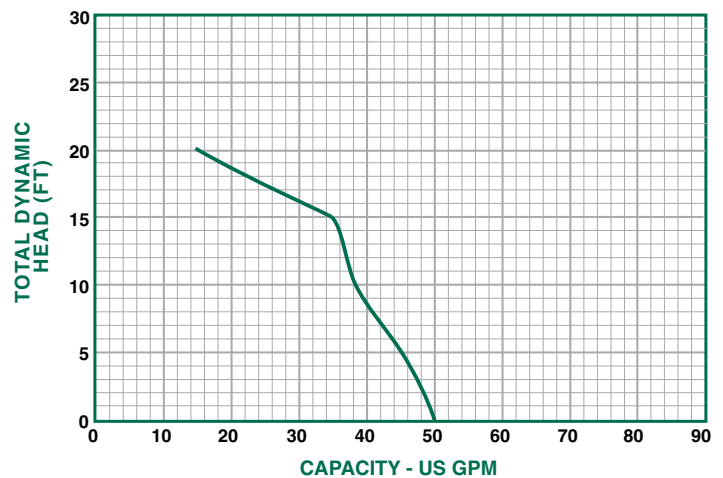


See Pumps & Accessories Price List for Limited Warranty details.

Dimensions



Sump Pump Performance Curve



PERFORMANCE CHART

Model	Gallons per Minute in Feet					
	0	5	10	15	20	25
5033PVPD	50	45	38	35	15	-

SUBMERSIBLE THERMOPLASTIC PEDESTAL SUMP PUMP - 1 1/4" DISCHARGE

Model	HP	Amps	Base Material	Discharge Size	Column Material	Impeller Material	Cord Length
5033PVPD	1/3	2.76	Thermoplastic	1 1/4"	Thermoplastic	Stainless Steel	10'

5050CVPD

This pump is designed for use in sump basins 12" or larger. It has a cast iron base construction and will handle liquids up to 180°F.

Features

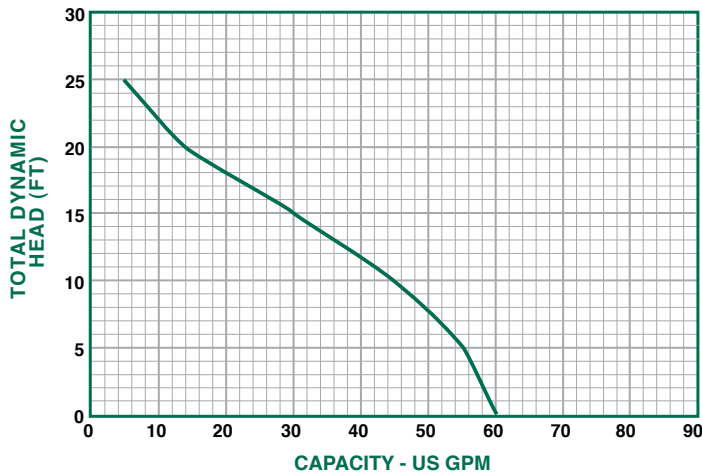
- Fully adjustable automatic switch
- Metal switch arm for strength and durability
- 1 1/2" discharge for high capacity pumping
- Non-corrosive stainless steel drive shaft, impeller & float ball



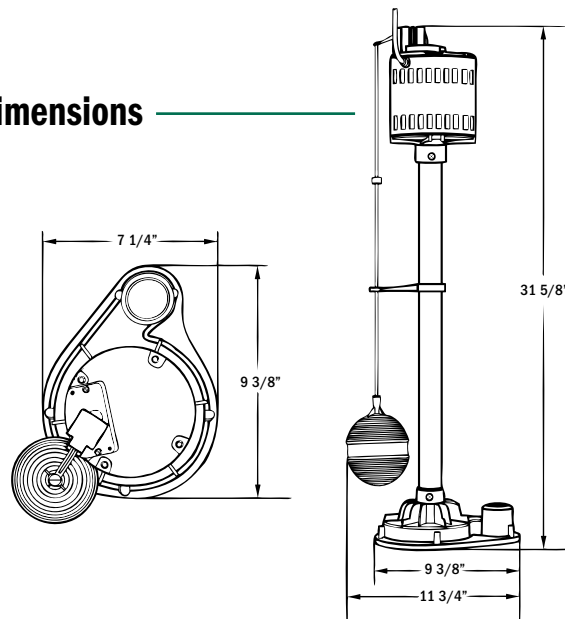
See Pumps & Accessories Price List for Limited Warranty details.



Sump Pump Performance Curve



Dimensions



PERFORMANCE CHART

Model	Gallons per Minute in Feet					
	0	5	10	15	20	25
5050CVPD	60	55	45	30	12	5

SUBMERSIBLE CAST IRON PEDESTAL SUMP PUMP - 1 1/2" DISCHARGE

Model	HP	Amps	Base Material	Discharge Size	Column Material	Impeller Material	Cord Length
5050CVPD	1/2	3.06	Cast Iron	1 1/2"	Stainless Steel	Stainless Steel	10'

5030CVSPK

This pre-assembled sink drain system has a six gallon capacity basin. It is great for laundry tubs, washing machines, wet bars, and dehumidifiers. For easy installation it comes pre-assembled.

Features

- 5030CVSP 3/10 HP cast iron sump pump with vertical switch
- 15" x 13.5" durable structural foam basin with 1 1/2" FNPT inlet
- 1 1/2" Full Flow Check Valve with Rubber Boots
- Structural foam cover with 1 1/2" FNPT discharge and vent

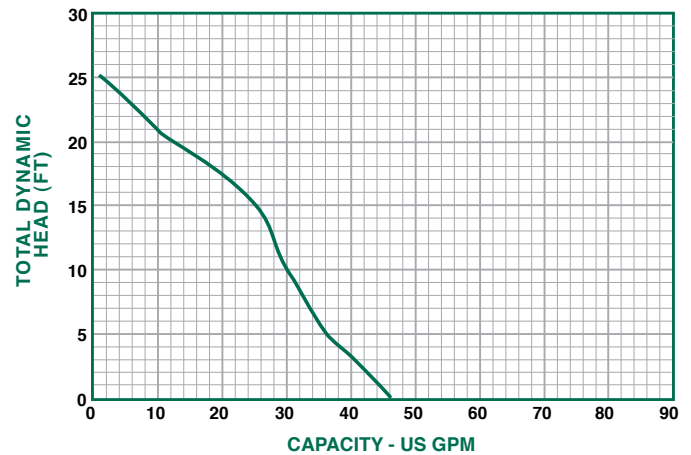


See Pumps & Accessories Price List for Limited Warranty details.

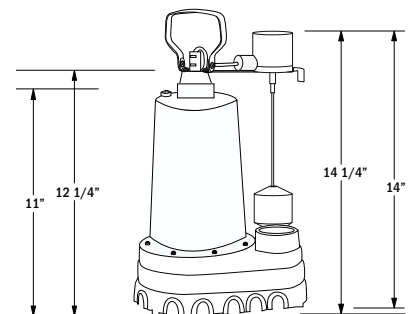
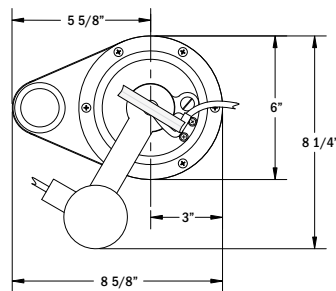
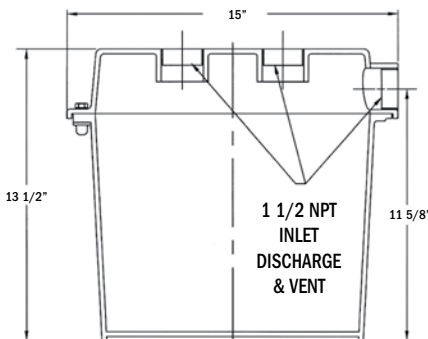
PERFORMANCE CHART

Model	Gallons per Minute in Feet					
	0	5	10	15	20	25
5030CVSP	46	36	30	25	12	1

Sump Pump Performance Curve



Dimensions



SUBMERSIBLE CAST IRON SUMP PUMP - 1 1/2" DISCHARGE

Model	HP	Volts	Hz	Amps	Construction	Discharge Size	Cord Length	Solids Handling	RPM	Phase
5030CVSP	3/10	120	60	4.1	Cast Iron	1 1/2"	10'	3/8"	3450	1

5030CVSPCSK

With pre-drilled holes in the basin, this sump pump kit can be used for pumping water out of crawl spaces. The kit comes with everything pictured here.

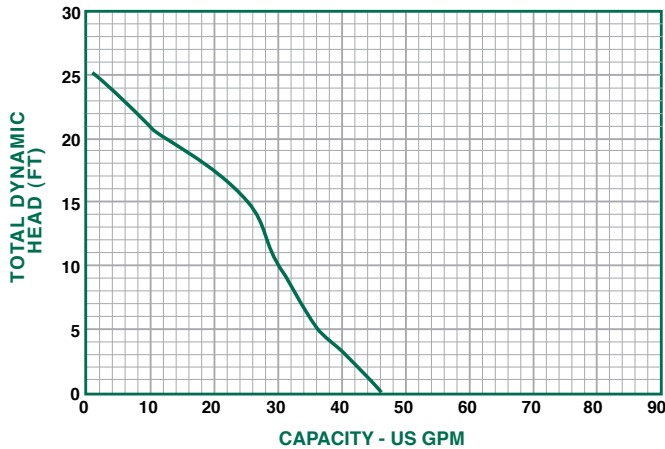
Features

- 5030CVSP 3/10 HP cast iron sump pump with vertical float switch
- 18.25" x 17.25" Poly basin with slotted cover
- 24' hose - 1 1/4"
- 1.5" x 1.25" Hose adaptor with stainless steel clamp

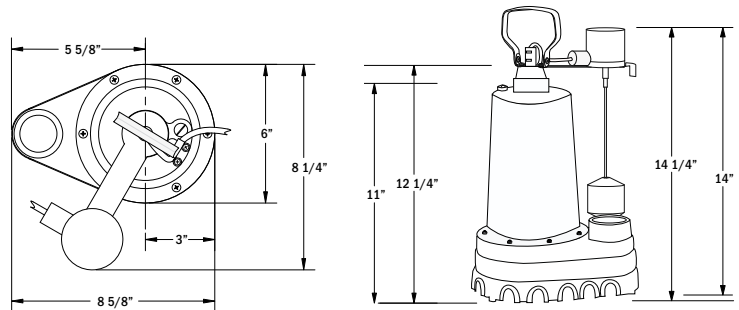


See Pumps & Accessories Price List for Limited Warranty details.

Sump Pump Performance Curve



Dimensions



PERFORMANCE CHART

Model	Gallons per Minute in Feet					
	0	5	10	15	20	25
5030CVSP	46	36	30	25	12	1

SUBMERSIBLE CAST IRON SUMP PUMP - 1 1/2" DISCHARGE

Model	HP	Volts	Hz	Amps	Construction	Discharge Size	Cord Length	Solids Handling	RPM	Phase
5030CVSP	3/10	120	60	4.1	Cast Iron	1 1/2"	10'	3/8"	3450	1

5025PTSPCW

This pre-assembled clear water basin package would be great for new home construction that requires both a sump pump and basin to be installed.

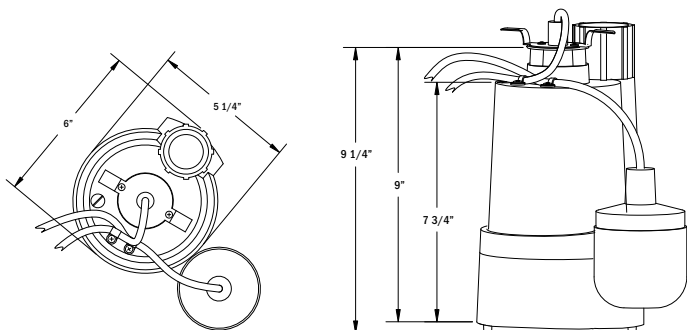
Features

- 5025PTSP 1/4 HP Thermoplastic sump pump with tethered float switch
- 18" x 24" Structural foam basin with slotted cover
- 1 1/2" Full flow check valve with rubber boots
- 2' 1 1/2" PVC pipe

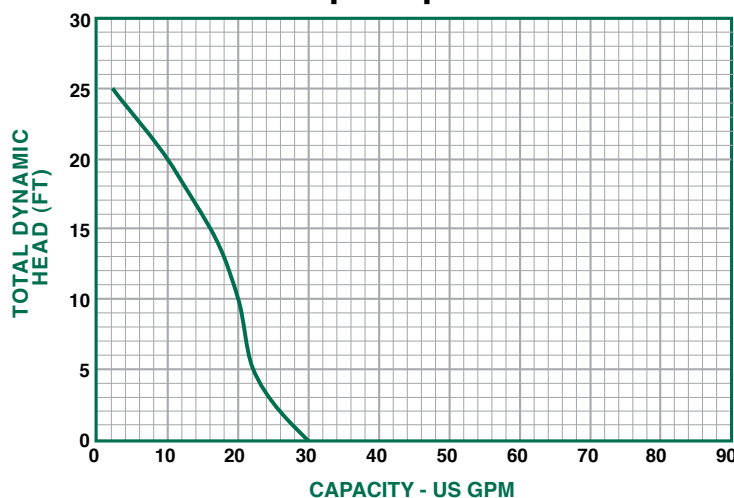


See Pumps & Accessories Price List for Limited Warranty details.

Dimensions



Sump Pump Performance Curve



PERFORMANCE CHART

Model	Gallons per Minute in Feet					
	0	5	10	15	20	25
5025PTSP	30	22	20	16	9	2

SUBMERSIBLE PLASTIC SUMP PUMP - 1 1/2" DISCHARGE

Model	HP	Volts	Hz	Amps	Construction	Discharge Size	Cord Length	Solids Handling	RPM	Phase
5025PTSP	1/4	120	60	3.8	Thermoplastic	1 1/2"	10'	1/8"	3450	1

5033CUEF & 5033CTEF25

With a rugged cast iron construction, this pump can handle up to 60 gallons per minute.

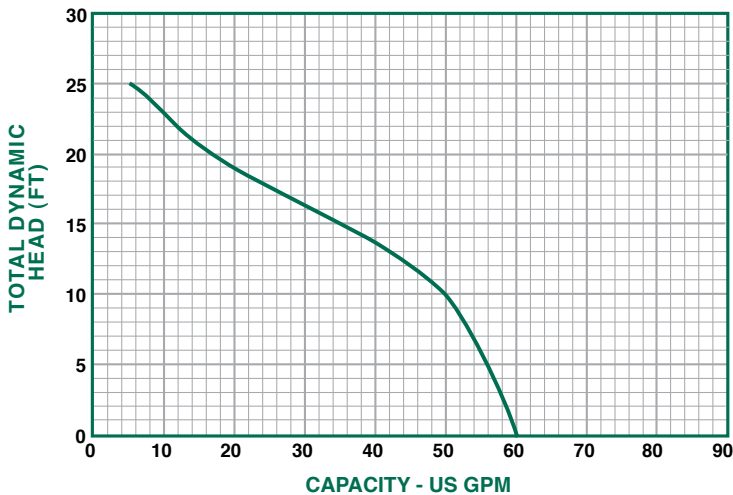
Features

- Split Capacitor Motor - 1/3 HP continuous duty, thermal protected
- Lifts water up to 25' of vertical height
- 10' power cord, 25' cords are also available for an additional charge
- Discharge - Large 1 1/2" discharge for high capacity pumping
- Also available without a switch



See Pumps & Accessories Price List for Limited Warranty details.

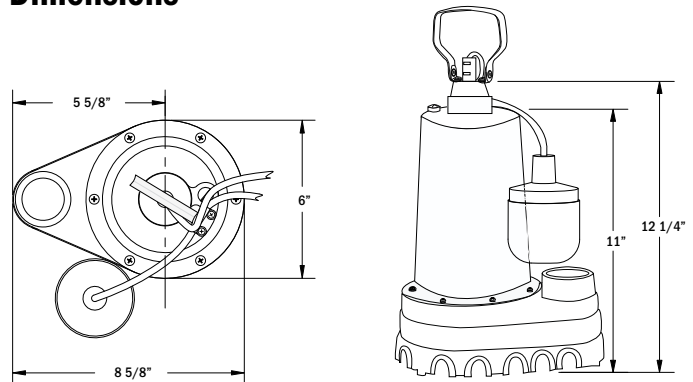
Effluent Pump Performance Curve



PERFORMANCE CHART

Model	Gallons per Minute in Feet					
	0	5	10	15	20	25
5033CUEF	0	5	10	15	20	25
5033CTEF25	60	56	50	35	15	6

Dimensions



SUBMERSIBLE CAST IRON EFFLUENT PUMP - 1 1/2" DISCHARGE

Model	HP	Volts	Hz	Amps	Construction	Discharge Size	Cord Length	Solids Handling	RPM	Phase
5033CUEF (NO SWITCH)	1/3	120	60	5.9	Cast Iron	1 1/2"	10'	5/8"	3450	1
5033CTEF25	1/3	120	60	5.9	Cast Iron	1 1/2"	25'	5/8"	3450	1

5050CUEF, 5050CUEF25, 5050CTEF, & 5050CTEF25

With a rugged cast iron construction, this pump can handle up to 70 gallons per minute.

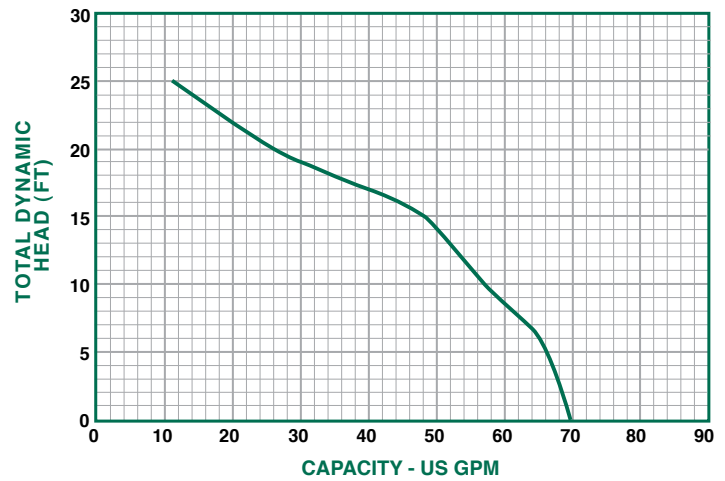
Features

- Split Capacitor Motor - 1/2 HP continuous duty, thermal protected
- Lifts water up to 25' of vertical height
- 10' power cord
- Available with or without tethered switch
- Discharge - Handles 5/8" solids
- Cast aluminum, non-clogging Vortex impeller

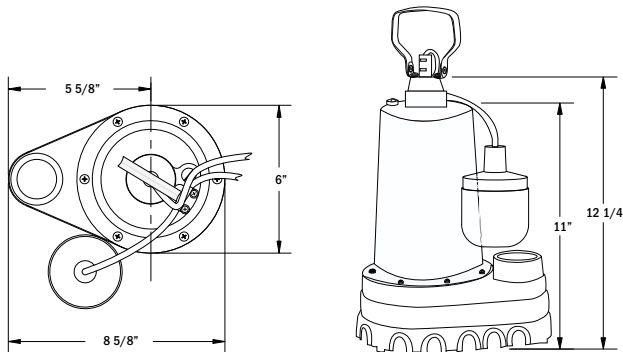


See Pumps & Accessories Price List for Limited Warranty details.

Effluent Pump Performance Curve



Dimensions



PERFORMANCE CHART

Model	Gallons per Minute in Feet					
5050CUEF	0	5	10	15	20	25
5050CUEF25	70	66	58	48	25	10

SUBMERSIBLE CAST IRON EFFLUENT PUMP - 1 1/2" DISCHARGE

Model	HP	Volts	Hz	Amps	Construction	Discharge Size	Cord Length	Solids Handling	RPM	Phase
5050CUEF (NO SWITCH)	1/2	120	60	7.6	Cast Iron	1 1/2"	10'	5/8"	3450	1
5050CUEF25 (NO SWITCH)	1/2	120	60	7.6	Cast Iron	1 1/2"	25'	5/8"	3450	1
5050CTEF	1/2	120	60	7.6	Cast Iron	1 1/2"	10'	5/8"	3450	1
5050CTEF25	1/2	120	60	7.6	Cast Iron	1 1/2"	25'	5/8"	3450	1

5050CVEF

With a rugged cast iron construction, this pump can handle up to 70 gallons per minute.

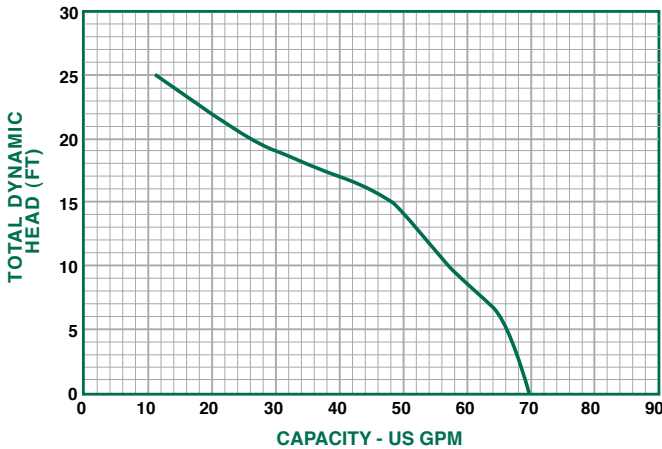
Features

- Split Capacitor Motor - 1/2 HP continuous duty, thermal protected
- Lifts water up to 25' of vertical height
- 10' power cord
- Available with or without tethered switch
- Discharge - Handles 5/8" solids
- Cast aluminum, non-clogging Vortex impeller



See Pumps & Accessories Price List for Limited Warranty details.

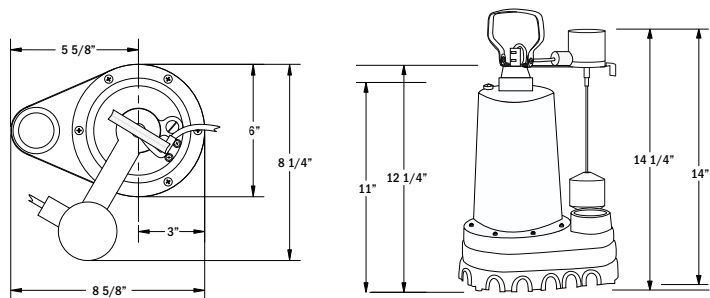
Effluent Pump Performance Curve



PERFORMANCE CHART

Model	Gallons per Minute in Feet					
	0	5	10	15	20	25
5050CVEF	70	66	58	48	25	10

Dimensions



SUBMERSIBLE CAST IRON EFFLUENT PUMP - 1 1/2" DISCHARGE

Model	HP	Volts	Hz	Amps	Construction	Discharge Size	Cord Length	Solids Handling	RPM	Phase
5050CVEF	1/2	120	60	7.6	Cast Iron	1 1/2"	10'	5/8"	3450	1

5040CUEFH25, 5040CTEFH25, 5050CUEFH25, & 5050CTEFH25 High Head Effluent Pump



3
YEAR
LIMITED
WARRANTY



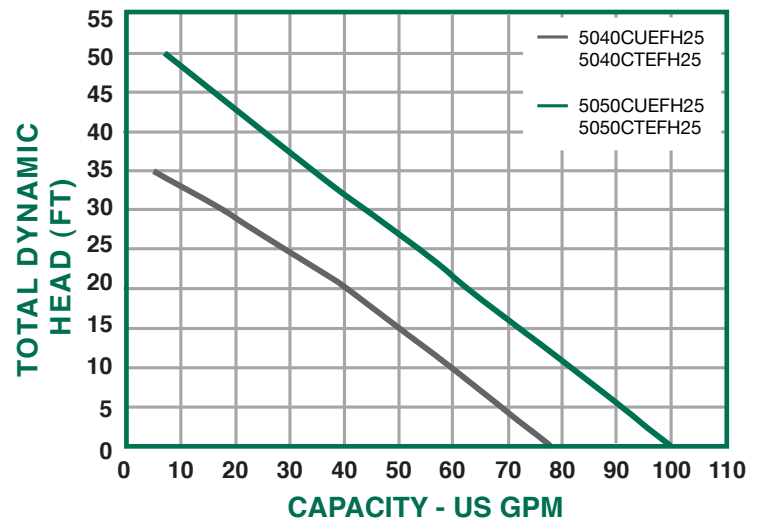
See Pumps & Accessories
Price List for Limited Warranty details.

Features a stainless steel housing and a cast iron base for a high quality and dependable pump. The DuraMAC™ high head effluent pumps have a built-in thermal overload protection for safety and a permanent split capacitor continuous duty motor. Convenient carrying handle is attached.

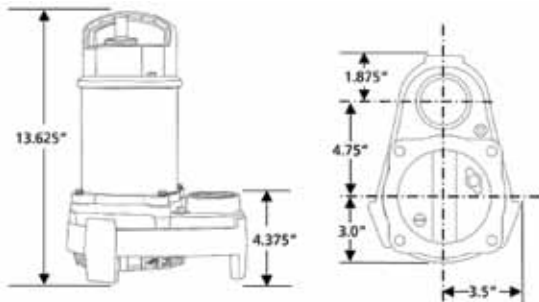
Features

- Non-clogging stainless steel vortex impeller
- Tethered or no float switch
- 2" or 1 1/2" FNPT with adapter - discharge size

Effluent Pump Performance Curve



Dimensions



PERFORMANCE CHART

Model	Gallons per Minute in Feet										
	0	5	10	15	20	25	30	35	40	45	50
5040CUEFH25	78	69	60	50	41	29	18	5	-	-	-
5040CTEFH25											
5050CUEFH25	100	91	82	72	63	54	44	34	25	16	7
5050CTEFH25											

EFFLUENT PUMPS - 2" DISCHARGE

Model	HP	Volts	Hz	Amps	Construction	Discharge Size	Cord Length	Solids Handling	Switch	Phase
5040CUEFH25	4/10	120	60	7.5	Cast Iron/Stainless Steel	2" or 1 1/2"	25'	3/4"	N/A	1
5040CTEFH25	4/10	120	60	7.5	Cast Iron/Stainless Steel	2" or 1 1/2"	25'	3/4"	Tethered	1
5050CUEFH25	1/2	120	60	12	Cast Iron/Stainless Steel	2" or 1 1/2"	25'	3/4"	N/A	1
5050CTEFH25	1/2	120	60	12	Cast Iron/Stainless Steel	2" or 1 1/2"	25'	3/4"	Tethered	1

5050CUSJ & 5050CVSJ

With a rugged cast iron construction, this pump can handle up to 80 gallons per minute.

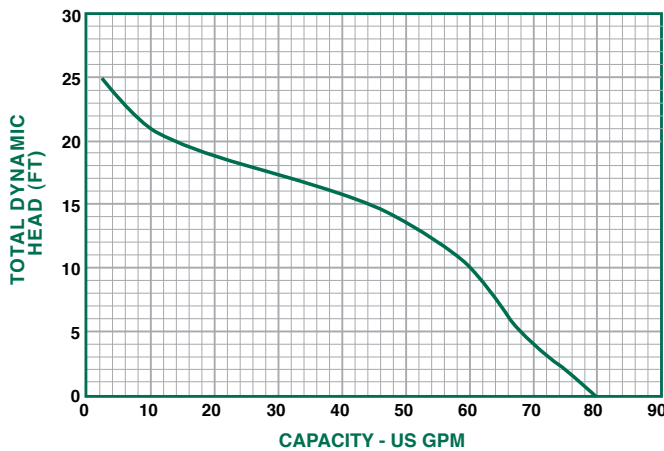
Features

- Split Capacitor Motor - 1/2 HP continuous duty, thermal protected
- Lifts water up to 25' of vertical height
- 10' power cord
- Large 2" discharge for high capacity pumping
- Easily handles 2" solids
- Cast aluminum, non-clogging Vortex impeller
- Also available without a switch

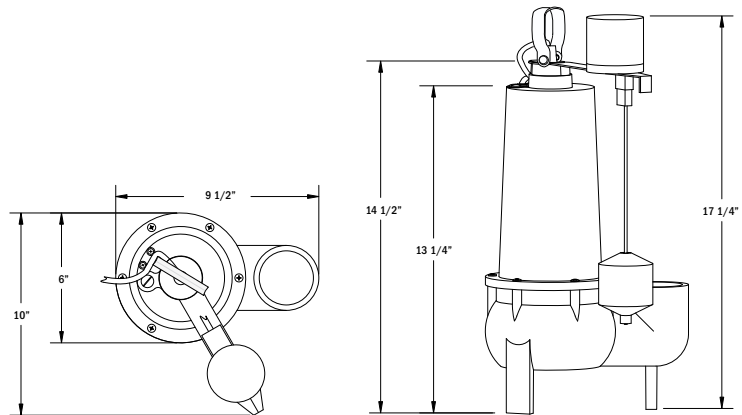


See Pumps & Accessories Price List for Limited Warranty details.

Sewage Pump Performance Curve



Dimensions



PERFORMANCE CHART

Model	Gallons per Minute in Feet					
	0	5	10	15	20	25
5050CUSJ	0	5	10	15	20	25
5050CVSJ	80	68	60	44	13	2

SUBMERSIBLE CAST IRON SEWAGE PUMP - 2" DISCHARGE

Model	HP	Volts	Hz	Amps	Construction	Discharge Size	Cord Length	Solids Handling	RPM	Phase
5050CUSJ (No switch)	1/2	120	60	7.6	Cast Iron	2"	10'	2"	3450	1
5050CVSJ	1/2	120	60	7.6	Cast Iron	2"	10'	2"	3450	1

5050CTSJ & 5050CTSJ25

With a rugged cast iron construction, this pump can handle up to 80 gallons per minute.

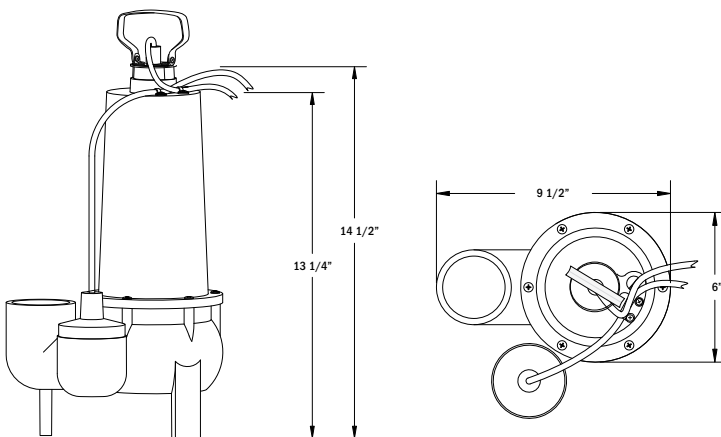
Features

- Split Capacitor Motor - 1/2 HP continuous duty, thermal protected
- Lifts water up to 25' of vertical height
- 10' power cord
- Large 2" discharge for high capacity pumping
- Easily handles 2" solids
- Cast aluminum, non-clogging Vortex impeller

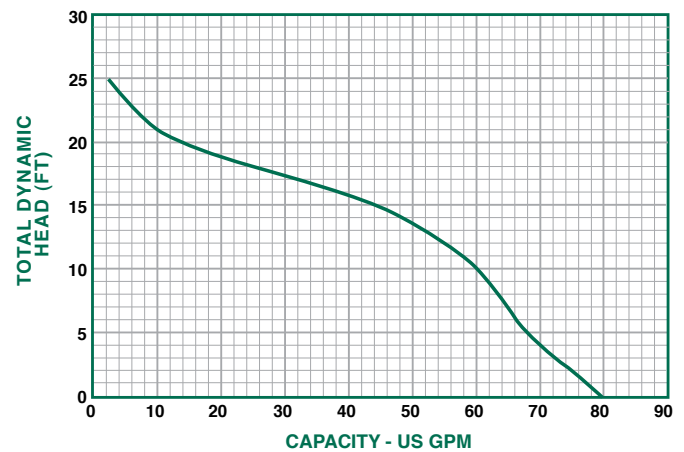


See Pumps & Accessories Price List for Limited Warranty details.

Dimensions



Sewage Pump Performance Curve



PERFORMANCE CHART

Model	Gallons per Minute in Feet					
	0	5	10	15	20	25
5050CTSJ	80	68	60	44	13	2
5050CTSJ25						

SUBMERSIBLE CAST IRON SEWAGE PUMP - 2" DISCHARGE

Model	HP	Volts	Hz	Amps	Construction	Discharge Size	Cord Length	Solids Handling	RPM	Phase
5050CTSJ	1/2	120	60	7.6	Cast Iron	2"	10'	2"	3450	1
5050CTSJ25	1/2	120	60	7.6	Cast Iron	2"	25'	2"	3450	1

5050CUSJ15, 5050CTSJ15, & 5050CVSJ15 1/2 HP High Volume Sewage Pump

Features a stainless steel housing and a cast iron base for a high quality and dependable pump. The DuraMAC™ sewage pumps have a built-in thermal overload protection for safety and a permanent split capacitor continuous duty motor. Convenient carrying handle is attached.

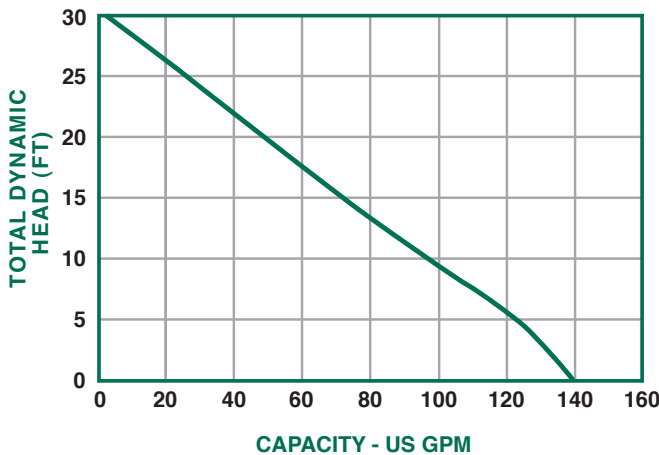
Features

- Non-clogging stainless steel vortex impeller
- Vertical, tethered, or no float switch



See Pumps & Accessories Price List for Limited Warranty details.

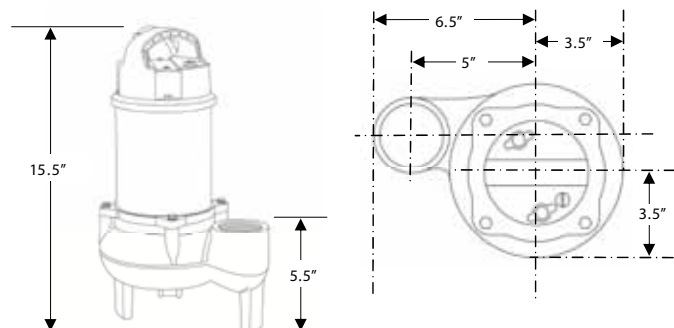
Sewage Pump Performance Curve



PERFORMANCE CHART

Model	Gallons per Minute in Feet						
	0	5	10	15	20	25	30
5050CUSJ15							
5050CTSJ15	140	123	97	72	49	25	3
5050CVSJ15							

Dimensions



SEWAGE PUMPS - 2" DISCHARGE

Model	HP	Volts	Hz	Amps	Construction	Discharge Size	Cord Length	Solids Handling	Switch	Phase
5050CUSJ15	1/2	120	60	12	Cast Iron/Stainless Steel	2"	15'	2"	N/A	1
5050CTSJ15	1/2	120	60	12	Cast Iron/Stainless Steel	2"	15'	2"	Tethered	1
5050CVSJ15	1/2	120	60	12	Cast Iron/Stainless Steel	2"	15'	2"	Vertical	1

5050CTSJPAC

This pre-assembled simplex sewage package is designed to be used in any residential sewage application with its 30 gallon capacity & 2" solids handling. With a 2" discharge pipe connected to the sewage pump, it's ready to installed.

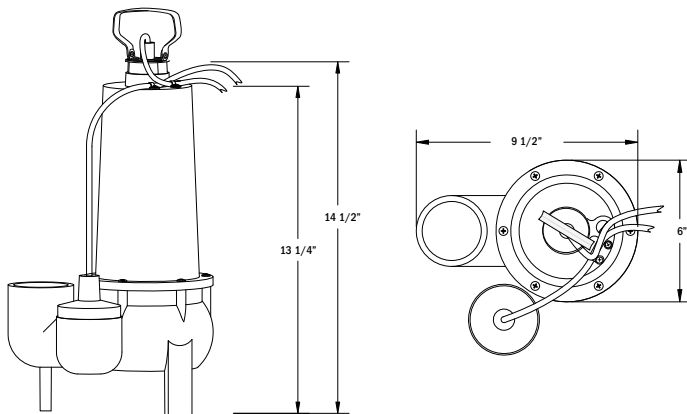
Features

- 5050CTSJ 1/2 HP sewage pump with tethered switch
- 18" structural foam cover with gasket kit
- 18" x 30" durable structural foam sewage basin with 4" inlet
- 2" Full Flow Check Valve with Rubber Boots
- 4" Snap-In-Hub with stainless steel clamp
- Stainless steel fasteners for cover
- 30" Long 2" PVC stub pipe

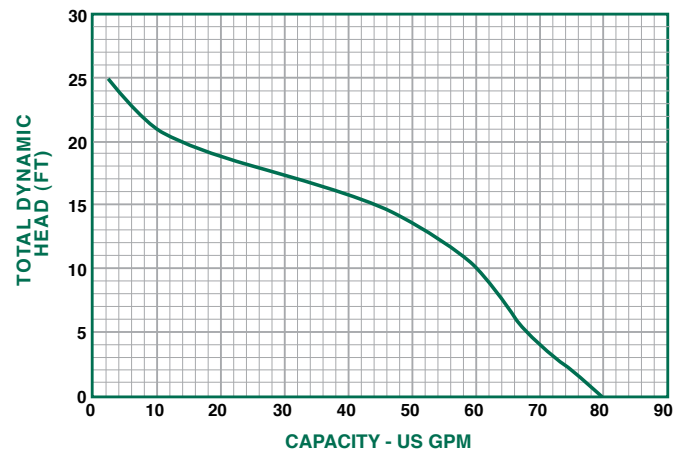


See Pumps & Accessories Price List for Limited Warranty details.

Dimensions



Sewage Pump Performance Curve



PERFORMANCE CHART

Model	Gallons per Minute in Feet					
	0	5	10	15	20	25
5050CTSJ	80	68	60	44	13	2

SUBMERSIBLE CAST IRON SEWAGE PUMP - 2" DISCHARGE

Model	HP	Volts	Hz	Amps	Construction	Discharge Size	Cord Length	Solids Handling	RPM	Phase
5050CTSJ	1/2	120	60	7.6	Cast Iron	2"	10'	2"	3450	1

5050CTSJPACSDA

This pre-assembled simplex sewage package with side discharge and alarm is designed to be used in any residential sewage application. With a 30 gallon capacity & 2" solids handling, this package is ready to be installed by connecting the 2" discharge pipe to the sewage pump.

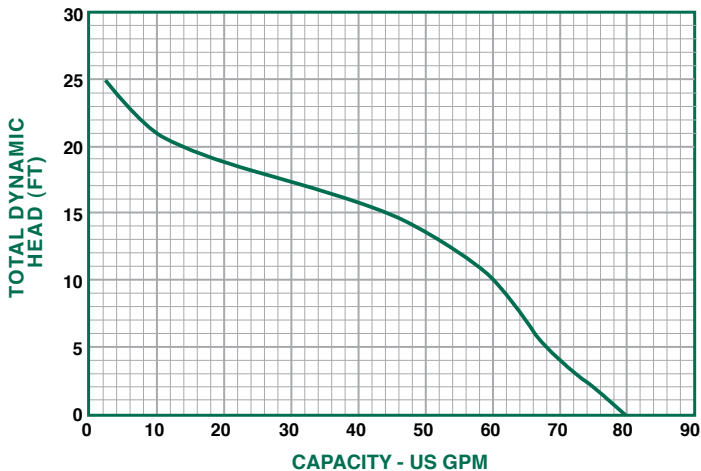
Features

- 5050CTSJ25 1/2 HP sewage pump with tethered switch
- 18" structural foam cover with gasket kit
- 18" x 30" durable structural foam sewage basin with 4" inlet with "Snap-in Hub"
- 2" Full Flow Check Valve with Rubber Boots
- 4" Snap-In-Hub with stainless steel clamp
- Stainless steel fasteners for cover
- 30" Long 2" PVC stub pipe
- Automatic alarm reset, silence switch, and alarm test switch, alarm enclosure rated for outdoor use

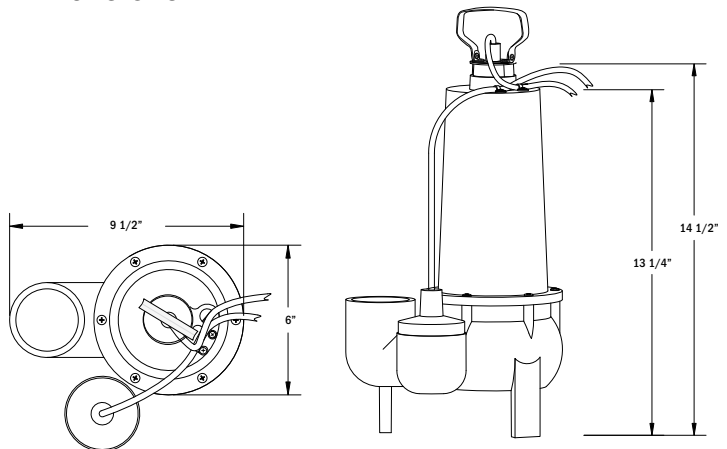


See Pumps & Accessories
Price List for Limited Warranty details.

Sewage Pump Performance Curve



Dimensions



PERFORMANCE CHART						
Model	Gallons per Minute in Feet					
	0	5	10	15	20	25
5050CTSJ25	80	68	60	44	13	2

SUBMERSIBLE CAST IRON SEWAGE PUMP - 2" DISCHARGE										
Model	HP	Volts	Hz	Amps	Construction	Discharge Size	Cord Length	Solids Handling	RPM	Phase
5050CTSJ25	1/2	120	60	7.6	Cast Iron	2"	25'	2"	3450	1

5050CTSJPAC24

This pre-assembled 24" x 24" simplex sewage package is designed for use in any residential sewage application with its 45 gallon capacity.

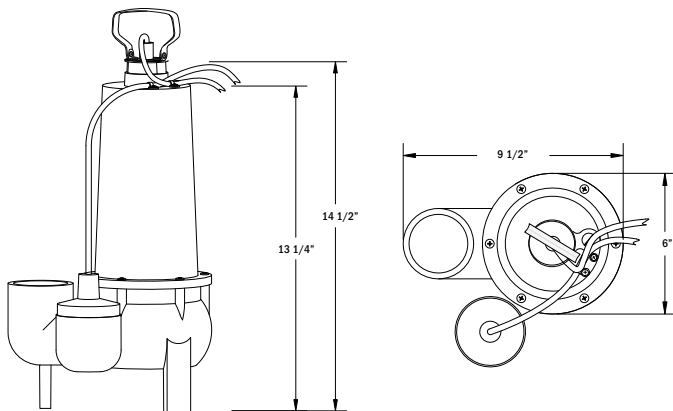
Features

- 5050CTSJ 1/2 HP sewage pump with tethered switch
- 24" structural foam cover with gasket kit
- 24" x 24" durable structural foam sewage basin with 4" inlet
- 2" Full Flow Check Valve with Rubber Boots
- 4" Snap-In-Hub with stainless steel clamp

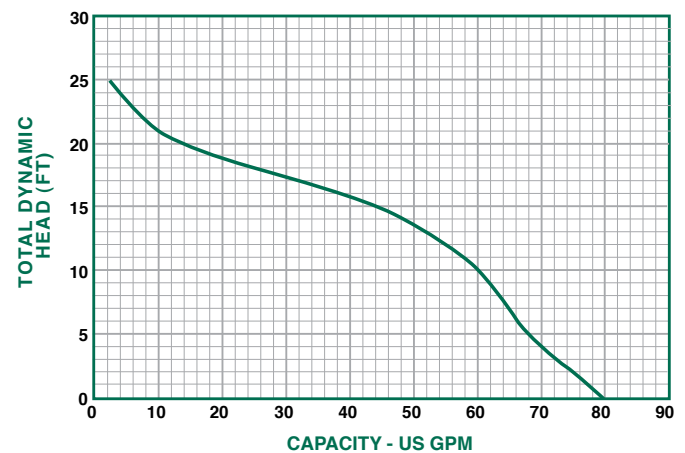


See Pumps & Accessories Price List for Limited Warranty details.

Dimensions



Sewage Pump Performance Curve



PERFORMANCE CHART

Model	Gallons per Minute in Feet					
	0	5	10	15	20	25
5050CTSJ	80	68	60	44	13	2

SUBMERSIBLE CAST IRON SEWAGE PUMP - 2" DISCHARGE

Model	HP	Volts	Hz	Amps	Construction	Discharge Size	Cord Length	Solids Handling	RPM	Phase
5050CTSJ	1/2	120	60	7.6	Cast Iron	2"	10'	2"	3450	1

5050CTSJPACSL

This pre-assembled simplex sewage package is designed to be used in any residential sewage application with its 30 gallon capacity and 2" solids handling. With a 2" discharge pipe connected to the sewage pump its ready to install. Special feature is the split lid for easy access to pump without disturbing discharge pipe.

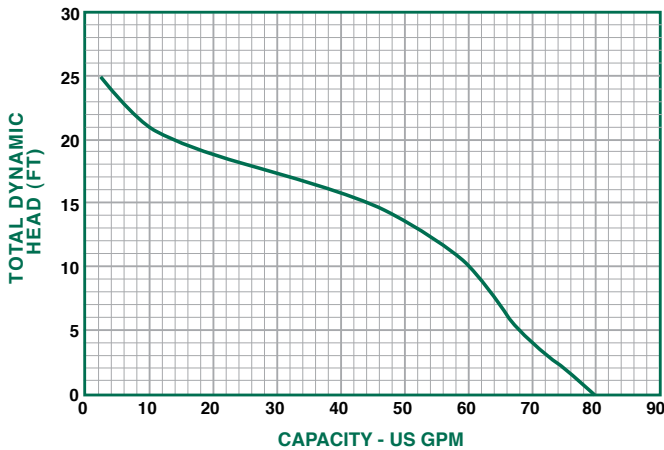
Features

- 5050CTSJ 1/2 HP Cast iron sewage ejector
- 18" x 30" durable structural foam sewage basin with 4" inlet
- 2" Full flow check valve with rubber boots
- 4" Snap-In-Hub with stainless steel clamp
- 18" structural foam split lid cover with inspection port & gasket kit
- Stainless steel fasteners for cover
- 30" Long 2" PVC stub pipe

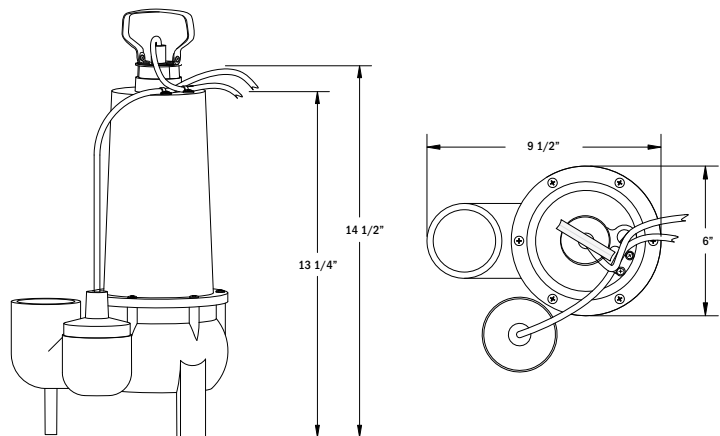


See Pumps & Accessories Price List for Limited Warranty details.

Sewage Pump Performance Curve



Dimensions



PERFORMANCE CHART

Model	Gallons per Minute in Feet					
	0	5	10	15	20	25
5050CTSJ	80	68	60	44	13	2

SUBMERSIBLE CAST IRON SEWAGE PUMP - 2" DISCHARGE

Model	HP	Volts	Hz	Amps	Construction	Discharge Size	Cord Length	Solids Handling	RPM	Phase
5050CTSJ	1/2	120	60	7.6	Cast Iron	2"	10'	2"	3450	1

5030CVSPBUSS

The side by side kit with primary and battery backup sump pump comes assembled complete with PVC pipe fittings and two check valves. The top outlet discharge is 1 1/2" PVC slip. Easily fits into standard sump basins with minimum diameter of 15".



See Pumps & Accessories Price List for Limited Warranty details.



Battery not included

Features

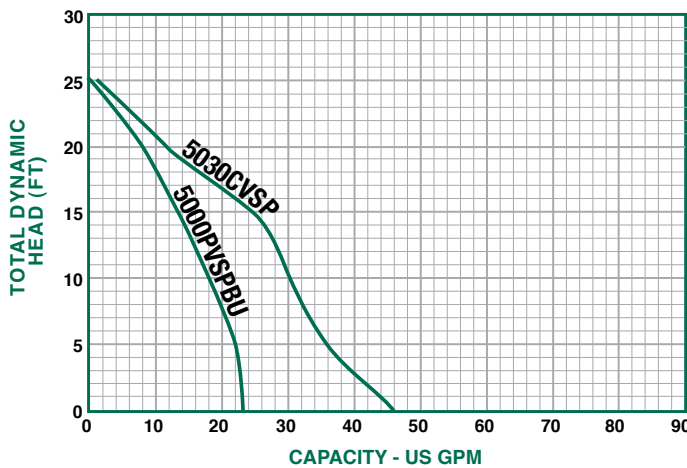
PRIMARY PUMP

- 5030CVSP 3/10 HP 120V AC (4.1 amps)
- Built-in thermal overload protection for safety
- Permanent split capacitor continuous duty motor
- Tough cast iron construction
- Vertical float switch for trouble free operation
- Handles up to 3/8" solids
- Pumps up to 46 gallons per minute / 2,760 gallons per hour
- Clog resistant stainless steel impeller

BACKUP PUMP

- 5000PVSPBU 12V, 23 GPM pump with vertical float switch
- Alarm/Control unit with fuse and mute feature
- Thermoplastic battery box
- Hardware included
- AC charger with power cord
- Battery not included

Sump Pump Performance Curve



PERFORMANCE CHART

MODEL	Gallons per Minute at Listed Discharge Height					
	0	5	10	15	20	25
5000PVSPBU	23	22	18	13	8	0
5030CVSP	46	36	30	25	12	1

SUMP PUMP W/BATTERY BACKUP DC SIDE X SIDE

Model	HP	Amps	Base Material	Discharge Size	Discharge Type	Switch Type	Cord Length	Solids Handling
5000PVSPBU	DC	12	Thermoplastic	1 1/4" - 1 1/2"	Top	Vertical	10'	1/8"
5030CVSP	3/10	4.1	Cast Iron	1 1/2"	Side	Vertical	10'	3/8"

5033CVSPBUSS

The side by side kit with primary and battery backup sump pump comes assembled complete with PVC pipe fittings and two check valves. The top outlet discharge is 1 1/2" PVC slip. Easily fits into standard sump basins with minimum diameter of 15".

Features

PRIMARY PUMP

- 5033CVSP 1/3 HP 120V AC (5.9 amps)
- Built-in thermal overload protection for safety
- Permanent split capacitor continuous duty motor
- Tough cast iron construction
- Vertical float switch for trouble free operation
- Handles up to 1/2" solids
- Pumps up to 60 gallons per minute / 3,600 gallons per hour
- Polyac impeller with aluminum insert

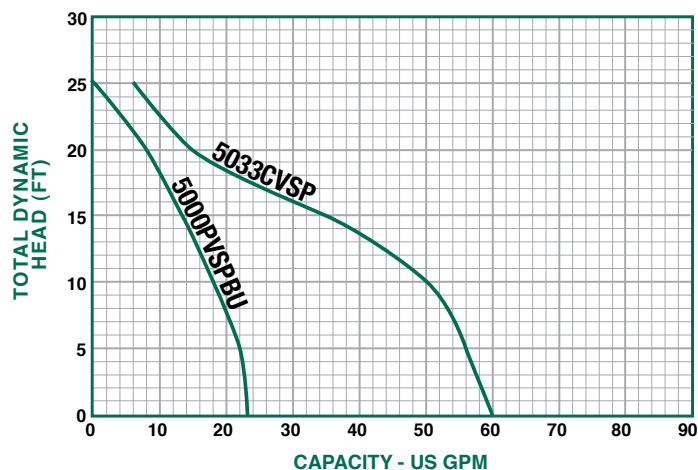
BACKUP PUMP

- 5000PVSPBU 12V, 23 GPM pump with vertical float switch
- Alarm/Control unit with fuse and mute feature
- Thermoplastic battery box
- Hardware included
- AC charger with power cord
- Battery not included



See Pumps & Accessories Price List for Limited Warranty details.

Sump Pump Performance Curve



PERFORMANCE CHART						
Model	Gallons per Minute at Listed Discharge Height					
	0	5	10	15	20	25
5000PVSPBU	23	22	18	13	8	0
5033CVSP	60	56	50	35	15	6

SUMP PUMP W/BATTERY BACKUP DC SIDE X SIDE								
Model	HP	Amps	Base Material	Discharge Size	Discharge Type	Switch Type	Cord Length	Solids Handling
5000PVSPBU	DC	12	Thermoplastic	1 1/4" - 1 1/2"	Top	Vertical	10'	1/8"
5033CVSP	1/3	5.9	Cast Iron	1 1/2"	Side	Vertical	10'	1/2"

5000PVSPBU

This battery backup system is designed to provide temporary back-up during power failures or malfunctions with your primary electric sump pump. It works with 12 volt, deep cycle marine battery, which is not included.

Features

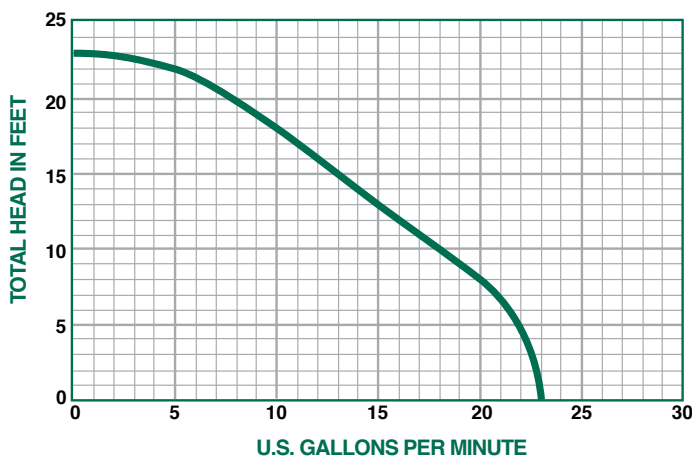
- 5000PVSPBU 12V DC Thermoplastic sump pump
- Vertical switch and 10' Cord
- 1 1/4" or 1 1/2" Discharge (pump discharge 1 1/4", w/check valve 1 1/2")
- Alarm/Control unit with fuse and mute feature
- Thermoplastic battery box



See Pumps & Accessories
Price List for Limited Warranty details.



Sump Pump Performance Curve



PERFORMANCE CHART

Model	Gallons per Minute in Feet				
	0	5	10	15	20
5000PVSPBU	23	22	18	13	8

SUBMERSIBLE THERMOPLASTIC SUMP PUMP - 1 1/2" DISCHARGE

Model	Volts	Hz	Amps	Construction	Discharge Size	Cord Length	Solids Handling	Phase
5000PVSPBU	12V DC	60	12	Thermoplastic	1 1/4" or 1 1/2"	10'	1/8	1

747H20



Emergency Water Powered Back Up Sump Pump

Protect your property during power outages or sump pump failure.

Applications

Designed for ground water, sump crocks in homes, motels, and hotels, schools, hospitals, industrial buildings, computer, and record storage rooms.

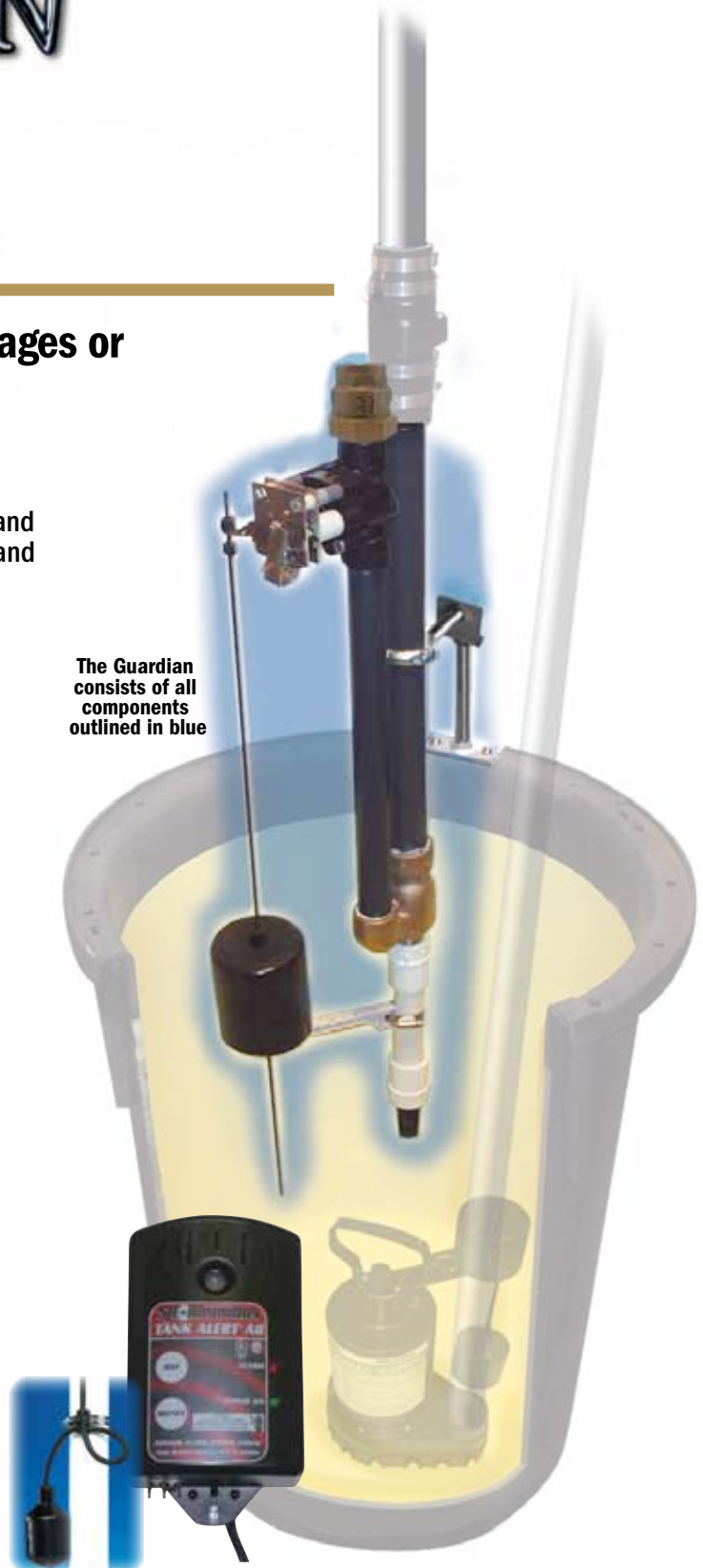
Features

- Made in the USA
- Patented activation valve for Positive ON, Positive OFF
- Designed for intermittent or continuous use
- Supplied with single check valve for your convenience
- Made with high quality brass and PVC materials for corrosion resistance
- McDonald Hydro Drive optimizes performance
- Designed for de-watering
- Discharge size 1 1/4" PVC Sch. 80 (IPS)
- 3/4" FNPT inlet
- Minimum pressure 29 PSI, maximum 90 PSI
- Minimum water temperature 32°F.

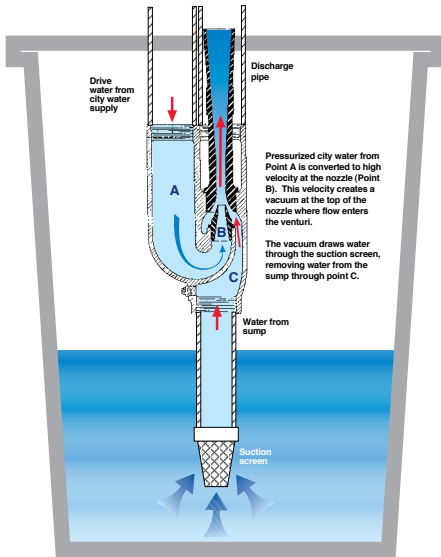
Tank Alert Liquid Level Alarm - 747H20A / 747H2ORRA

Tank Alert AB (6190-137 - 120V, Nema1 enclosure

- with mechanical switch, 15' pipe clamp mount, normally open, SignalMaster® float, high water alarm



747H20



		Performance in GPH							
		FEET of LIFT							
Inlet Pressure (PSI)	5'	7'	9'	12'	15'	18'	21'	No Water Removed No Flow At:	
	30	480	420	360	228	192	0	0	18'
	40	672	594	558	468	396	324	246	26'
60	750	750	750	750	750	750	750	40'	



747H20-0001**



747H20-0002**

ORDER MODEL

BACKFLOW PROVIDED

ASSE STANDARD

OTHER APPROVALS

3/4" Reduced pressure assembly

3/4" Pressure vacuum breaker assembly

1013

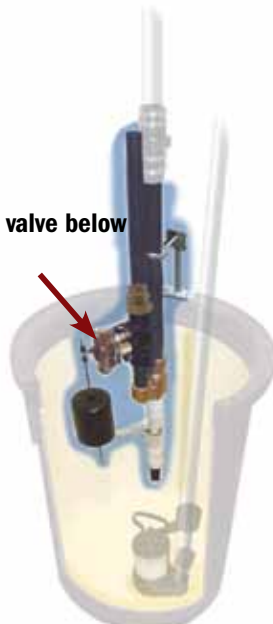
1020

Approved by the Foundation for Cross-Connection Control and Hydraulic Research at the University of Southern California

Approved by the Foundation for Cross-Connection Control and Hydraulic Research at the University of Southern California

**Where required by code

Operating valve below sump lid



747H20RR

Radon Ready

Allows operating valve to be installed under cover for application where sump lid must be sealed.

5000BLK

- Use instead of bricks to raise pump off bottom of basin
- Mounts to pump base to prevent clogging
- Made from durable ABS
- Helps prevent switch malfunction
- Fits all Duramac Submersible pumps (excludes sewage pumps)



Filters

5000LS, 5000LS KIT, 5000LS BAG

- Made from durable PVC
- Handles up to 160 gpm without the bag
- 2" MNPT or FNPT threaded outlet
- Optional filter bag prevents clogging
- Easy to clean



Impellers



Polyac Impeller with Aluminum Insert
USED IN MODEL #
5033CVSP
5050CVSP
5033CVSPEZ



Cast Aluminum Vortex Impeller
USED IN MODEL #
5033CUEF 5050CTSJ
5050CTEF 5050CTSJPAC
5050CUEF 5050CVEF
5050CVSJ 5050CTSJPACSL



Paddle-Style Impeller
USED IN MODEL #
5020PUUP
5025PTSP
5025PVSP



Paddle-Style Impeller with Brass Insert
USED IN MODEL #
5033PVSP



Stainless Steel Semi-Vortex Impeller
USED IN MODEL #
5030CVSP
5030CVSPK
5030CVSPCSK

Floats



VERTICAL 5000-V--10

Vertical Float Switch
10' piggyback cord

5000-V--25

Vertical Float Switch
25' piggyback cord

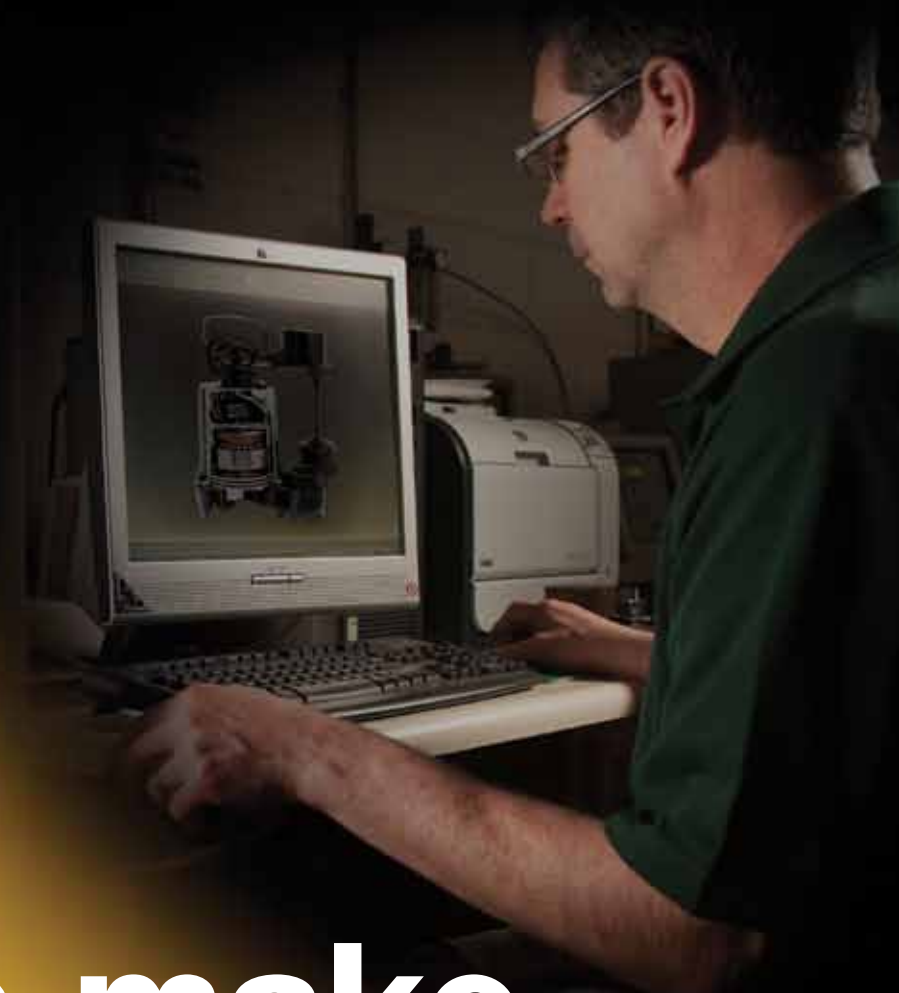


TETHERED 5000-T--10

Tethered Float Switch
10' piggyback cord

5000-T--25

Tethered Float Switch
25' piggyback cord



Details make the difference.

Our high-quality DuraMAC™ sump pump is ideal for protecting residential and commercial properties from ground water. Quality built with attention to detail, A.Y. McDonald sump pumps feature double-lip O-ring seals to prevent leaking, upper and lower ball bearings, and a split capacitor motor for low-amp draw, which saves energy.

Choose A.Y. McDonald for:

- Friendly, responsive, dedicated customer service specialists
- Hand-assembled products built for the professional installer
- Application-specific solutions to meet your needs
- Industry-leading product warranty

Visit aymcdonald.com to learn more about our quality product lines, dependable customer service, and more than 156 years of industry-leading expertise.

More than a brand. We're a family.

aymcdonald.com ◆ 1-800-292-2737 ◆ sales@aymcdonald.com





A.Y. McDonald Mfg. Co. is a leading manufacturer of Waterworks Brass, Plumbing Valves, Pumps and Water Systems, and High Pressure Gas Valves and Meter Bars. The Company has distinguished itself with a proud tradition of quality and reliability since its founding in 1856.

The mission of A.Y. McDonald Mfg. Co., in the words of our founder, is “to make good products and sell them honestly.” We, the stockholders and employees, accomplish this by extending the McDonald family culture through excellent customer service and by focusing on our customers’ needs.



WARNING: It is unlawful in CALIFORNIA & VERMONT (effective 1/1/2010); MARYLAND (effective 1/1/2012); LOUISIANA (effective 1/1/2013) and the UNITED STATES OF AMERICA (effective 1/4/2014) to use any product in the installation or repair of any public water system or any plumbing in a facility or system that provides water for human consumption if the wetted surface area of the product has a weighted average lead content greater than 0.25%. This prohibition does not extend to service saddles used in California, Louisiana or under USA Public Law 111-380.

