

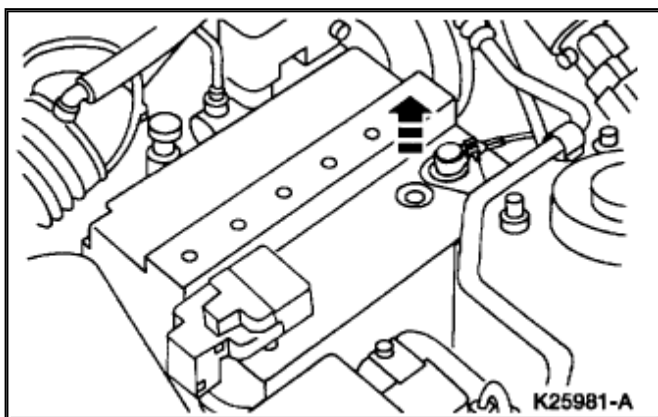
1997 Ford Escort L4-122 2.0L SOHC

Vehicle Level → Heating and Air Conditioning → Blower Motor → Service and Repair ←

Service and Repair

[Notes](#)

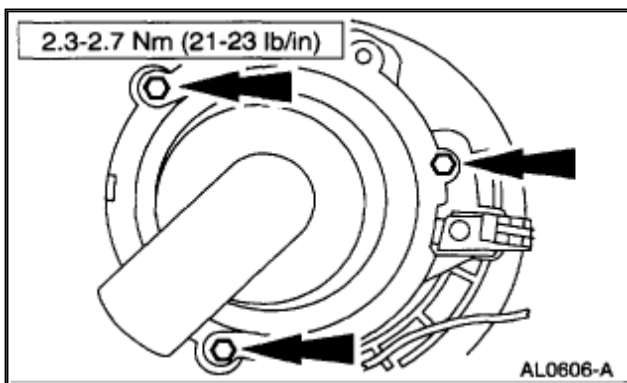
REMOVAL



Zoom

Sized for Print

1. Disconnect the battery ground cable.

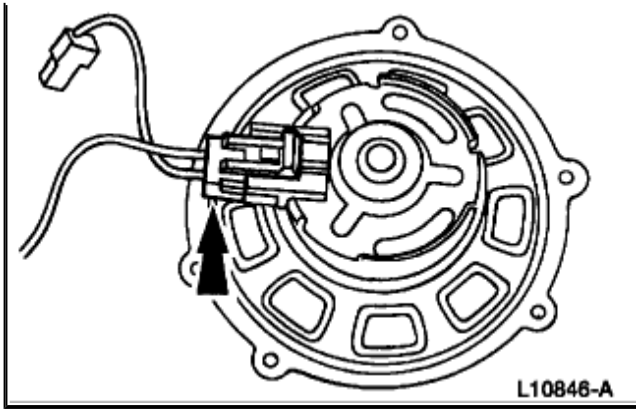


Zoom

Sized for Print

2. Remove the three blower motor screws and the A/C blower motor.

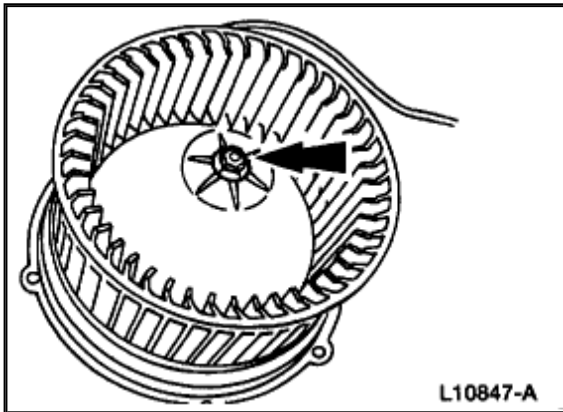




Zoom

Sized for Print

3. Disconnect the A/C blower motor electrical connector.

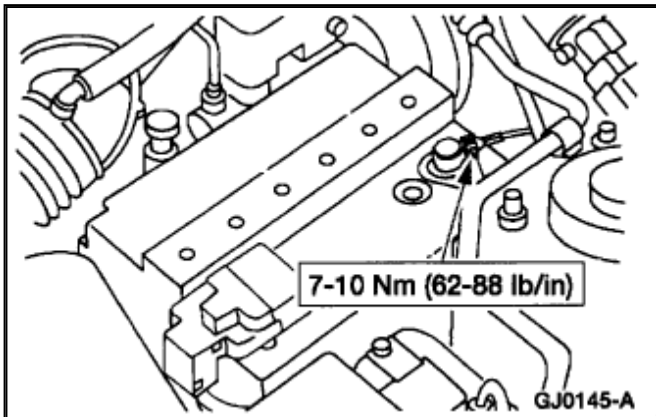


Zoom

Sized for Print

4. Remove the blower motor wheel retainer and the A/C blower wheel.

INSTALLATION



Zoom

Sized for Print

1. To install, reverse the removal procedure.

© 2010 ALLDATA LLC. All rights reserved.
[Terms of Use](#)