

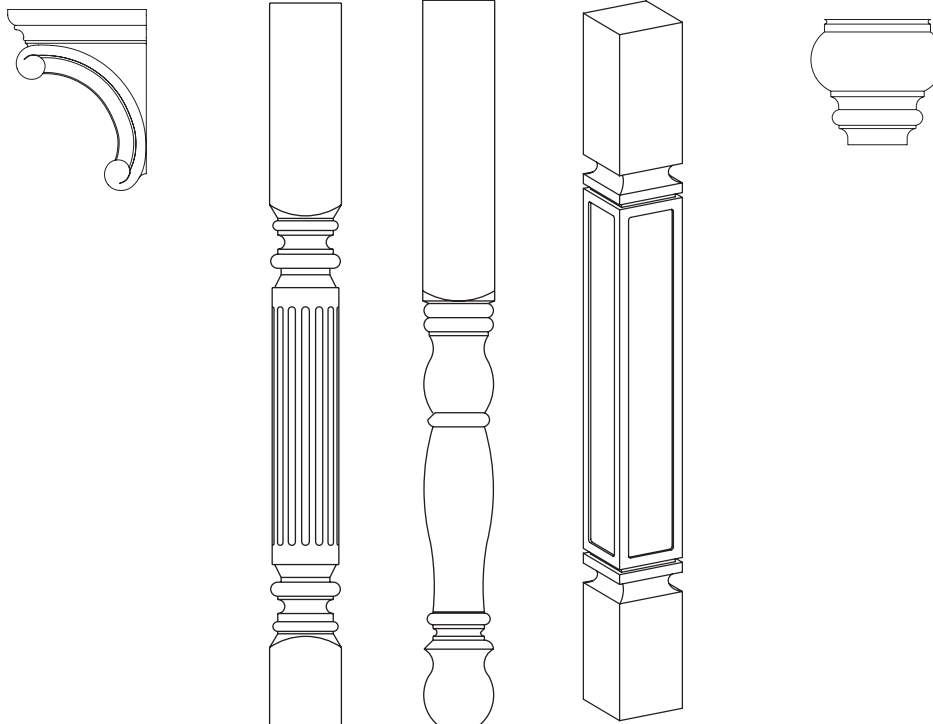
## Decorative Elements and Accents

Conestoga has partnered with some of the leading industry providers of decorative woodcarvings to bring you this inclusive collection. Conestoga's accessory offering includes a wide variety of corbels, legs, columns, corner posts, and other decorative elements. Items ordered from this collection will be consolidated with the rest of your Conestoga products and ship as a complete order. Because of transportation time required from some suppliers, additional lead-time may be necessary.

- Specie availability varies by product and is indicated by the specie part number listed with each product drawing. Pricing for all items can be found on the Customer Business Portal.
- Because of the various manufacturing and sanding techniques used to produce these decorative products, slight variations in finished appearance may occur. These variations will not be considered defective.
- Due to the size and complexity of design, many of these products utilize edge glued lumber. This may result in grain pattern, wood color and finish variations.
- In addition to the wood carvings and turnings shown on the following pages, Conestoga has established a comprehensive program with Art For Everyday. Known for their exquisite carving capabilities, Art for Everyday is a leader in carved components and provides Conestoga access to thousands of carved items. Complete images and price lists can be found on the Customer Business Portal, under the Marketing Resources tab. All Art For Everyday products can receive any of Conestoga's standard finishes.

## Finishing

Conestoga offers finishing on all decorative elements and accents. This allows you to simplify your shop process and purchase accessories along with your finished door order. See the Finishing Program Section for available stain, Colourtone, primer, Prism Paint and glaze combinations.



## Decorative Turning Program

---

Conestoga's turning offering features a large collection of columns, table legs, island posts and feet. The offering consists of standard products shown on the following pages, as well as the capability to produce a variety of custom turnings. These items may include stair and furniture parts, tall columns and non-standard species.

### Standard Offering

- Conestoga's standard offering of table legs, island posts and feet is typically available in the industry's most popular species. Depending on the item, Paint Grade will be an unselected closed-grain hardwood.
- The majority of table legs and island posts are available in three options - whole, split and 3/4. This allows for consistency within the design of the kitchen or bath while also providing flexibility in the manner in which the legs are used.
- Whole and 3/4 items can be ordered individually, while splits must be ordered in pairs.
- Lead-times for table legs, island posts and feet are 7-10 days. Some items can be expedited; refer to footnotes at the bottom of each page for expedite availability.
- Parts must be ordered by part number according to specie and whole, split or 3/4.

## Table Legs and Decorative Columns

### Mission Plain

Specie	Whole	Split**	3/4
Cherry	2652562A	2652566A	2652570A
Maple	2652563A	2652567A	2652571A
Paint Grade	2652564A	2652568A	2652572A
Red Oak	2652565A	2652569A	2652573A

### Mission Partial Rout

Specie	Whole	Split**	3/4
Cherry	2652538A	2652542A	2652546A
Maple	2652539A	2652543A	2652547A
Paint Grade	2652540A	2652544A	2652548A
Red Oak	2652541A	2652545A	2652549A

### Mission Full Rout

Specie	Whole	Split**	3/4
Cherry	2652526A	2652530A	2652534A
Maple	2652527A	2652531A	2652535A
Paint Grade	2652528A	2652532A	2652536A
Red Oak	2652529A	2652533A	2652537A

### Arts & Crafts Post

Specie	Whole	Split**	3/4
Cherry	635.74.620	N/A	N/A
Maple	635.74.120	N/A	N/A
Red Oak	635.74.420	N/A	N/A

\*\*Must purchase in pairs.

### Table Legs and Decorative Columns (continued)

#### Ashbee Square

Also available in a 42" height.

Specie	Whole	Split**	3/4
Alder	2651295A	2651299A	2651303A
Cherry	2651293A	2651297A	2651301A
Maple	2651294A	2651298A	2651302A
Red Oak	2651292A	2651296A	2651300A

#### Ashbee Square

Also available in a 42" height.

Specie	Whole	Split**	3/4
Alder	2651319A	2651323A	2651327A
Cherry	2651317A	2651321A	2651325A
Maple	2651318A	2651322A	2651326A
Red Oak	2651316A	2651320A	2651324A

#### Townsend Square

Specie	Whole	Split**	3/4
Alder	2655816A	2655817A	N/A
Cherry	2655818A	2655819A	N/A
Maple	2655820A	2655821A	N/A
Red Oak	2655814A	2655815A	N/A

#### Hudson Post

Specie	Whole	Split**	3/4
Alder	2655577A	N/A	N/A
Cherry	2655578A	N/A	N/A
Maple	2655579A	N/A	N/A
Paint Grade	2655580A	N/A	N/A
Red Oak	2655581A	N/A	N/A

**Table Legs and Decorative Columns (continued)**

**Hillsboro Square**

Specie	Whole	Split**	3/4
Alder	2655582A	N/A	N/A
Cherry	2655583A	N/A	N/A
Maple	2655584A	N/A	N/A
Paint Grade	2655585A	N/A	N/A
Red Oak	2655586A	N/A	N/A

**Hillsboro Square**

Specie	Whole	Split**	3/4
Alder	2655587A	N/A	N/A
Cherry	2655588A	N/A	N/A
Maple	2655589A	N/A	N/A
Paint Grade	2655590A	N/A	N/A
Red Oak	2655591A	N/A	N/A

**Pinnacle**

Specie	Whole	Split**	3/4
Alder	2655836A	2655837A	N/A
Cherry	2655838A	2655839A	N/A
Maple	2655840A	2655841A	N/A
Red Oak	2655834A	2655835A	N/A

**2 Sided Taper**

Also available in 2-3/4" and 4-1/4" widths as well as 42" height.

Specie	Whole	Split**	3/4
Alder	2651363A	N/A	N/A
Cherry	2651361A	N/A	N/A
Maple	2651362A	N/A	N/A
Paint Grade	2655780A	N/A	N/A
Red Oak	2651360A	N/A	N/A

\*\*Must purchase in pairs.  
Standard lead-time is 7-10 days, expedites not available.

### Table Legs and Decorative Columns (continued)

**Dunkirk Square**

Available as whole only.  
Also available in a 42" height as well as 2" and 5" widths.

Specie	Whole	Specie	Whole
Alder	2652428A	Red Oak	2652432A
Cherry	2652429A	Walnut	2653142A
Hickory	2653144A	White Oak	2653143A
Maple	2652430A		
Paint Grade	2652431A		

**Dunkirk Square**

Available as whole only.  
Also available in a 42" height as well as 2" and 5" widths.

Specie	Whole	Specie	Whole
Alder	2652438A	Red Oak	2652442A
Cherry	2652439A	Walnut	2653148A
Hickory	2653150A	White Oak	2653149A
Maple	2652440A		
Paint Grade	2652441A		

**Denmark Square w/Metal Sleeve**

**Note:** Metal sleeve and leg sold together, cannot be ordered separately.  
Available as whole only.

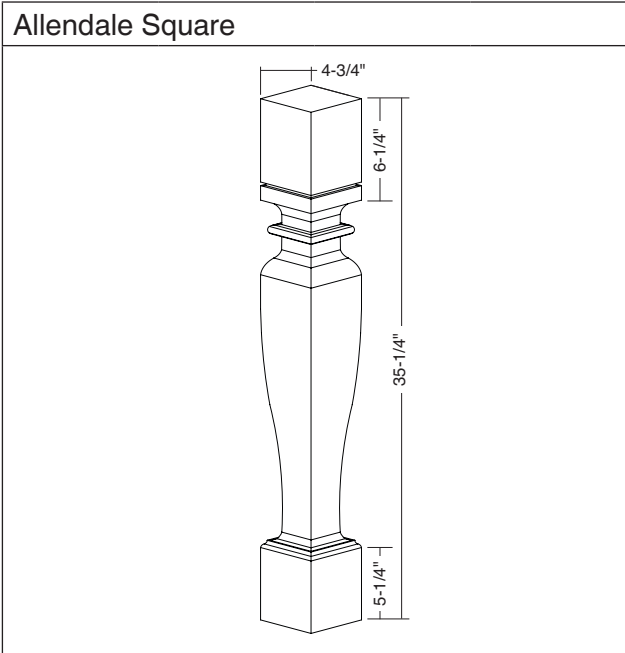
Size	Specie	Brushed Aluminum	Wrought Iron
		Whole	Whole
3"	Alder	2655956A	2655957A
	Cherry	2655958A	2655959A
	Maple	2655960A	2655961A
	Red Oak	2655962A	2655963A
4"	Alder	2655964A	2655965A
	Cherry	2655966A	2655967A
	Maple	2655968A	2655969A
	Red Oak	2655970A	2655971A

**Bexley Square**

Available as whole only.

Specie	Whole	Split	3/4
Cherry	635.50.688	N/A	N/A
Maple	635.50.188	N/A	N/A
Red Oak	635.50.488	N/A	N/A

**Table Legs and Decorative Columns (continued)**



Specie	Whole	Split	3/4
Alder	2652609A	N/A	N/A
Cherry	2652610A	N/A	N/A
Maple	2652611A	N/A	N/A
Paint Grade	2652612A	N/A	N/A
Red Oak	2652613A	N/A	N/A

**Table Legs and Decorative Columns (continued)**

Lakeland Square			
Specie	Whole	Split	3/4
Alder	2655592A	N/A	N/A
Cherry	2655593A	N/A	N/A
Maple	2655594A	N/A	N/A
Paint Grade	2655595A	N/A	N/A
Red Oak	2655596A	N/A	N/A

Newburg Square			
Specie	Whole	Split	3/4
Alder	2655597A	N/A	N/A
Cherry	2655598A	N/A	N/A
Maple	2655599A	N/A	N/A
Paint Grade	2655600A	N/A	N/A
Red Oak	2655601A	N/A	N/A

Woodmere			
Specie	Whole	Split	3/4
Cherry	635.75.004	N/A	N/A
Maple	635.75.024	N/A	N/A



**Table Legs and Decorative Columns (continued)**

**Century Plain**

Specie	Whole	Split**	3/4
Cherry	2650461A	2650464A	2650467A
Maple	2650462A	2650465A	2650468A
Paint Grade	2655732A	2655733A	2655734A
Red Oak	2650463A	2650466A	2650469A

**Century Plain**

Specie	Whole	Split**	3/4
Cherry	2650470A	2650473A	2650476A
Maple	2650471A	2650474A	2650477A
Paint Grade	2655523A	2655524A	2655525A
Red Oak	2650472A	2650475A	2650478A

**Century Plain**

Specie	Whole	Split**	3/4
Cherry	2650850A	2650854A	2650858A
Maple	2650851A	2650855A	2650859A
Paint Grade	2655757A	2655758A	2655759A
Red Oak	2650852A	2650856A	2650860A

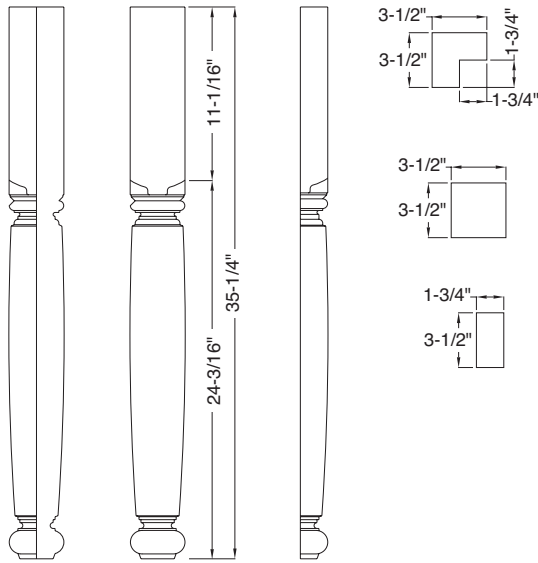
**Philmont**

Specie	Whole	Split**	3/4
Alder	2650801A	2650805A	2650809A
Cherry	2650802A	2650806A	2650810A
Maple	2650803A	2650807A	2650811A
Paint Grade	2655556A	2655557A	2655558A
Red Oak	2650804A	2650808A	2650812A

\*\*Must purchase in pairs.

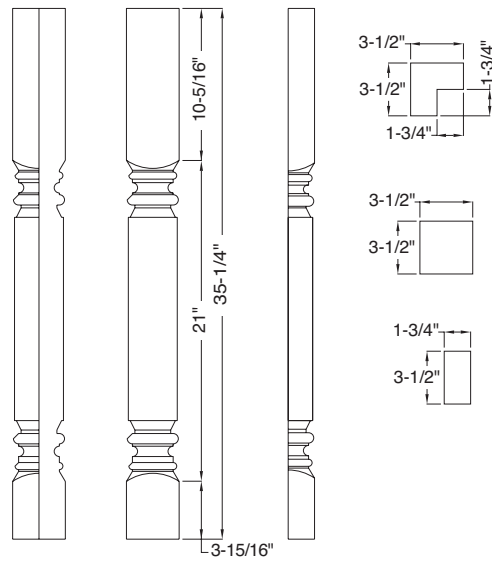
### Table Legs and Decorative Columns (continued)

#### Country Kitchen Plain



Specie	Whole	Split**	3/4
Alder	2650728A	2650729A	2650730A
Cherry	2650443A	2650446A	2650449A
Maple	2650444A	2650447A	2650450A
Paint Grade	2655520A	2655521A	2655522A
Red Oak	2650445A	2650448A	2650451A

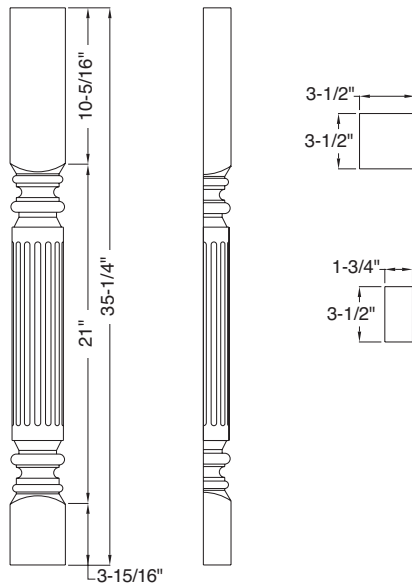
#### Greco Roman Plain



Also available in a 42" height.

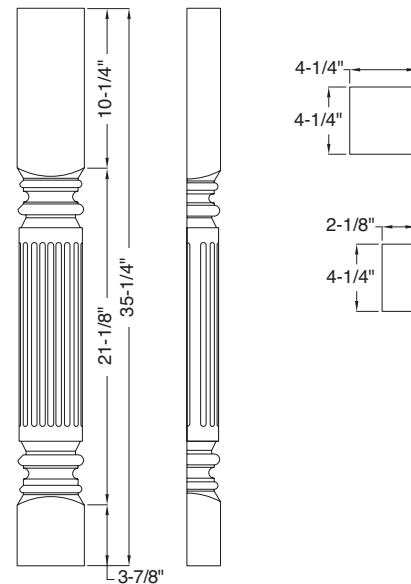
Specie	Whole	Split**	3/4
Cherry	2650236A	2650239A	2650242A
Maple	2650237A	2650240A	2650243A
Paint Grade	2655721A	2655722A	2655723A
Red Oak	2650238A	2650241A	2650244A

#### Greco Roman Fluted



Specie	Whole	Split**	3/4
Cherry	2650272A	2650275A	N/A
Maple	2650273A	2650276A	N/A
Paint Grade	2655727A	2655728A	N/A
Red Oak	2650274A	2650277A	N/A

#### Greco Roman Fluted



Specie	Whole	Split**	3/4
Cherry	2650284A	2650287A	N/A
Maple	2650285A	2650288A	N/A
Paint Grade	2655499A	2655495A	N/A
Red Oak	2650286A	2650289A	N/A

**Table Legs and Decorative Columns (continued)**

### Waverly

Specie	Whole	Split**	3/4
Alder	2651228A	2651232A	N/A
Cherry	2651226A	2651230A	N/A
Maple	2651225A	2651229A	N/A
Paint Grade	2655775A	2655776A	N/A
Red Oak	2651227A	2651231A	N/A

### Basket Weave

Specie	Whole	Split**	3/4
Alder	N/A	N/A	N/A
Cherry	2651005A	2651008A	N/A
Maple	2651006A	2651009A	N/A
Paint Grade	2655559A	2655560A	N/A
Red Oak	2651007A	2651010A	N/A

### Athens

Also available in 4 1/4" width.

Specie	Whole	Split**	3/4
Alder	2651268A	2651272A	2651276A
Cherry	2651266A	2651270A	2651274A
Maple	2651265A	2651269A	2651273A
Paint Grade	2655537A	2655538A	2655539A
Red Oak	2651267A	2651271A	2651275A

### Federal Post

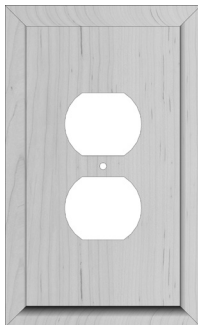
Specie	Whole	Split**	3/4
Alder	2651100A	2651104A	2651108A
Cherry	2651101A	2651105A	2651109A
Maple	2651102A	2651106A	2651110A
Paint Grade	2655768A	2655769A	2655770A
Red Oak	2651103A	2651107A	2651111A

\*\*Must purchase in pairs.  
Standard lead-time is 7-10 days, expedites not available.

## Receptacle Notching

---

- Receptacle notching is a custom millwork option developed to allow electrical service installations on island post applications.
- Receptacle notching is available on select table legs/posts only and is not available on feet, corbels, appliqués or other ornaments.
- Available only with whole legs – splits and 3/4 options are not available.
- Receptacle box and wiring is not included. Check your building codes for proper box and wiring codes.
- Holes for the wiring will be drilled in only one of the four locations – left, right, top or back. You must specify the hole location for wiring. We do not drill through the entire length of the table leg/post.
- If choosing 3-1/2" wide table legs, please be aware that some outlet covers may extend beyond the column width. This is due to +/- tolerances of both the table leg and the outlet cover.
- The dimensions of the rout are 2.375" wide, 2.875" deep and 4.125" high.
- For a beginning point of reference for machining the notch, you must indicate the height from the top of the leg to the start of the rout (see drawing on following page).
- Receptacle covers are available through Conestoga's Wood Outlet Cover program, or through many home centers.
- Customization of receptacle notch not available.
- Lead-time of 5 additional days is required for this option.



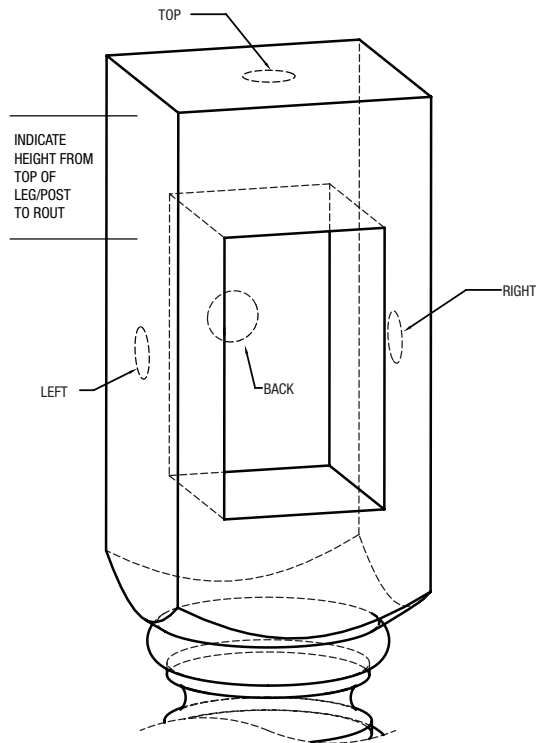
### Duplex receptacle solid wood outlet plate

- See page 12.16 for a listing of available species. Overall dimensions are 3-1/2" wide by 5-3/4" high.
- Table legs/posts available with solid wood outlet plates: 2 Sided Taper, Allendale Square, Baldwin Square, Basket Weave, Century Plain, Greco Roman Fluted, Greco Roman Plain, Mission Full Rout, Mission Partial Rout, Mission Plain, Newburg Square and Waverly.

### Duplex receptacle nylon outlet plate

- Available from most home centers or hardware stores. Overall dimensions are typically 3-1/8" wide by 4-3/4" high.
- Table legs/posts available with nylon outlet plates: 2 Sided Taper, Allendale Square, Ashbee Square, Baldwin Square, Basket Weave, Century Plain, Greco Roman Fluted, Greco Roman Plain, Mission Full Rout, Mission Partial Rout, Mission Plain, Newburg Square and Waverly.

Receptacle Notching Order Form	
Customer Name:	Order Date:
Customer#:	PO#:
Leg/Post Part #:	Leg/Post Description:
Specie:	Quantity:
Hole location for wiring: <input type="checkbox"/> Left <input type="checkbox"/> Back <input type="checkbox"/> Top <input type="checkbox"/> Right	Height from top to rout (see diagram below):
Finish (if applicable): _____ Glaze: _____ Sheen: <input type="checkbox"/> 10° <input type="checkbox"/> 30°	
Special Instructions:	



Outlet and Switch Plates

**Outlet Plate**

Specie	Part No.
Alder	2655701A
Cherry	2655702A
Maple	2655703A
Red Oak	2655704A
Walnut	2656065A

**Outlet Plate**

Specie	Part No.
Alder	2655713A
Cherry	2655714A
Maple	2655715A
Red Oak	2655716A
Walnut	2656068A

**Switch Plate**

Specie	Part No.
Alder	2655697A
Cherry	2655698A
Maple	2655699A
Red Oak	2655700A
Walnut	2656064A

**Switch Plate**

Specie	Part No.
Alder	2655709A
Cherry	2655710A
Maple	2655711A
Red Oak	2655712A
Walnut	2656067A

**Switch Plate**

Specie	Part No.
Alder	2655705A
Cherry	2655706A
Maple	2655707A
Red Oak	2655708A
Walnut	2656066A

**Switch Plate**

Specie	Part No.
Alder	2655717A
Cherry	2655718A
Maple	2655719A
Red Oak	2655720A
Walnut	2656069A

**Switch Plate**

Specie	Part No.
Alder	2656070A
Cherry	2656071A
Maple	2656072A
Red Oak	2656073A
Walnut	2656074A

**Switch Plate**

Specie	Part No.
Alder	2656075A
Cherry	2656076A
Maple	2656077A
Red Oak	2656078A
Walnut	2656079A

**Switch Plate**

Specie	Part No.
Alder	2656080A
Cherry	2656081A
Maple	2656082A
Red Oak	2656083A
Walnut	2656084A

Standard lead-time is 7-10 days.

12.16 Expedites available: 3 day red expedite (20% upcharge), blue expedite not available.

**Outlet and Switch Plates (continued)**

**Switch Plate**

Specie	Part No.
Alder	2656085A
Cherry	2656086A
Maple	2656087A
Red Oak	2656088A
Walnut	2656089A

**Switch/Outlet Plate**

Specie	Part No.
Alder	2656090A
Cherry	2656091A
Maple	2656092A
Red Oak	2656093A
Walnut	2656094A

**Switch/Outlet Plate**

Specie	Part No.
Alder	2656095A
Cherry	2656096A
Maple	2656097A
Red Oak	2656098A
Walnut	2656099A

**Switch Plate**

Specie	Part No.	Price
Alder	2656100A	
Cherry	2656101A	
Maple	2656102A	
Red Oak	2656103A	
Walnut	2656104A	

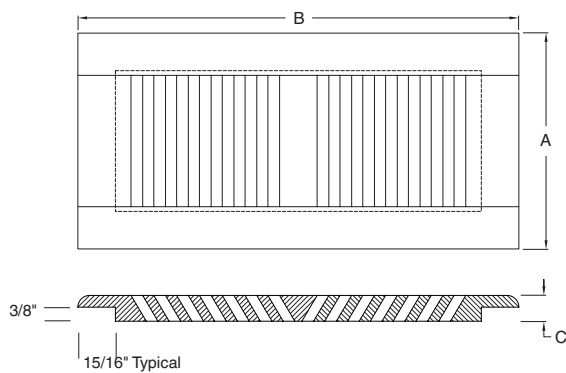
**Switch Plate**

Specie	Part No.
Alder	2656105A
Cherry	2656106A
Maple	2656107A
Red Oak	2656108A
Walnut	2656109A

## Vent Covers

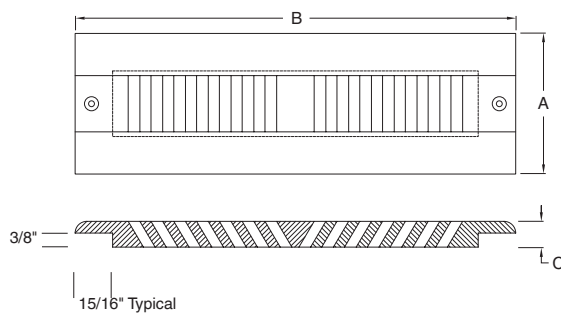
- All vent covers crafted from solid hardwoods and made in the USA.
- Vent covers are made to fit seamlessly with your hardwood floors, against the toe kicks of your kitchen cabinets, against baseboards and walls.
- Toe Kick Vent Cover is pre-drilled to accept two mounting screws.
- Fixed slats diffuse air in two directions (non-adjustable).
- Custom sizes and designs are available. Contact Special Designs for a quote.
- Vent covers are available unfinished or finished; reference the Finishing Program Section for finish options and pricing.
- Lead-time 10 days unfinished, add 5 days for finishing.

### Floor Vent Cover



Specie	Part No.	Dimension		
		A	B	C
Cherry	2655791A	5-3/4"	11-3/4"	3/4"
Maple	2655792A	5-3/4"	11-3/4"	3/4"
Red Oak	2655793A	5-3/4"	11-3/4"	3/4"
Walnut	2656125A	5-3/4"	11-3/4"	3/4"
Cherry	2655794A	5-3/4"	13-3/4"	3/4"
Maple	2655795A	5-3/4"	13-3/4"	3/4"
Red Oak	2655796A	5-3/4"	13-3/4"	3/4"
Walnut	2656126A	5-3/4"	13-3/4"	3/4"
Cherry	2655797A	5-3/4"	15-3/4"	3/4"
Maple	2655798A	5-3/4"	15-3/4"	3/4"
Red Oak	2655799A	5-3/4"	15-3/4"	3/4"
Walnut	2656127A	5-3/4"	15-3/4"	3/4"

### Toe Kick Vent Cover



Specie	Part No.	Dimension		
		A	B	C
Cherry	2655782A	3-3/4"	11-3/4"	3/4"
Maple	2655783A	3-3/4"	11-3/4"	3/4"
Red Oak	2655784A	3-3/4"	11-3/4"	3/4"
Walnut	2656122A	3-3/4"	11-3/4"	3/4"
Cherry	2655785A	3-3/4"	13-3/4"	3/4"
Maple	2655786A	3-3/4"	13-3/4"	3/4"
Red Oak	2655787A	3-3/4"	13-3/4"	3/4"
Walnut	2656123A	3-3/4"	13-3/4"	3/4"
Cherry	2655788A	3-3/4"	15-3/4"	3/4"
Maple	2655789A	3-3/4"	15-3/4"	3/4"
Red Oak	2655790A	3-3/4"	15-3/4"	3/4"
Walnut	2656124A	3-3/4"	15-3/4"	3/4"



**Create a Column**

**Split Spindles** (accommodates 1-1/2" moulding)

Specie	Part No.
Cherry	2650095A
Maple	2650094A

**End Blocks** (accommodates 1-1/2" moulding)

Specie	Part No.
Cherry	2650101A
Maple	2650100A

**1-1/2" Mouldings**

**Plain**

Specie	Part No.	Specie	Part No.
Cherry	2650104A	Maple	2650103A

**Reeded**

Specie	Part No.	Specie	Part No.
Cherry	2650110A	Maple	2650109A

**Rope**

Specie	Part No.	Specie	Part No.
Cherry	112R	Maple	112R

Standard lead-time is 7-10 days, expedites not available.

## Wood Feet

**Albion Square Foot**

Specie	Whole
Alder	2652629A
Cherry	2652630A
Maple	2652631A
Paint Grade	2652632A
Red Oak	2652633A

**Albion Square Foot**

Specie	Whole
Alder	2652634A
Cherry	2652635A
Maple	2652636A
Paint Grade	2652637A
Red Oak	2652638A

**Bailey Square Foot**

Specie	Whole
Alder	2652624A
Cherry	2652625A
Maple	2652626A
Paint Grade	2652627A
Red Oak	2652628A

**Bun Foot**

Specie	Whole	Split**
Alder	2650773A	2650774A
Cherry	2650581A	2650584A
Maple	2650582A	2650585A
Paint Grade	2655739A	2655740A
Red Oak	2650583A	2650586A

**Corbett Square Foot**

Specie	Whole
Alder	2655647A
Cherry	2655648A
Maple	2655649A
Paint Grade	2655650A
Red Oak	2655651A

**Cosmopolitan Foot**

Specie	Whole	Split**
Alder	2650784A	2650785A
Cherry	2650611A	2650614A
Maple	2650612A	2650615A
Paint Grade	2655747A	2655748A
Red Oak	2650613A	2650616A

**Country French Foot**

Specie	Whole	Split**
Alder	2650763A	2650764A
Cherry	2650551A	2650554A
Maple	2650552A	2650555A
Paint Grade	2655735A	2655736A
Red Oak	2650553A	2650556A

**Country French Foot**

Specie	Whole	Split**
Alder	2650765A	2650766A
Cherry	2650557A	2650560A
Maple	2650558A	2650561A
Paint Grade	2655737A	2655738A
Red Oak	2650559A	2650562A

**Countryside Foot**

Specie	Whole	Split**
Alder	2650782A	2650783A
Cherry	2650605A	2650608A
Maple	2650606A	2650609A
Paint Grade	2655551A	2655552A
Red Oak	2650607A	2650610A

\*\*Must purchase in pairs.  
Standard lead-time is 7-10 days, expedites not available.

### Wood Feet (continued)

#### Estate Foot Reeded

Specie	Whole	Split**
Alder	2650780A	2650781A
Cherry	2650599A	2650602A
Maple	2650600A	2650603A
Paint Grade	2655745A	2655746A
Red Oak	2650601A	2650604A

#### Estate Foot Plain

Specie	Whole	Split**
Alder	2650775A	2650777A
Cherry	2650587A	2650590A
Maple	2650588A	2650591A
Paint Grade	2655741A	2655742A
Red Oak	2650589A	2650592A

#### French Scroll Foot

Specie	Whole
Cherry	634.27.616
Maple	634.27.116

#### Harlow Square Foot

Specie	Whole
Alder	2652639A
Cherry	2652640A
Maple	2652641A
Paint Grade	2652642A
Red Oak	2652643A

#### Harlow Square Plain

Specie	Whole
Alder	2655642A
Cherry	2655643A
Maple	2655644A
Paint Grade	2655645A
Red Oak	2655646A

#### Hillman Square Foot

Specie	Whole
Alder	2652614A
Cherry	2652615A
Maple	2652616A
Paint Grade	2652617A
Red Oak	2652618A

#### Hillman Square Foot

Specie	Whole
Alder	2652619A
Cherry	2652620A
Maple	2652621A
Paint Grade	2652622A
Red Oak	2652623A

#### Hobart Square Foot

Specie	Whole
Cherry	2652474A
Maple	2652475A
Paint Grade	2652476A

#### Kennett Square Foot

Specie	Whole
Cherry	2655800A
Maple	2655801A
Paint Grade	2655802A

\*\*Must purchase in pairs.

Standard lead-time is 7-10 days, expedites not available.

Wood Feet (continued)

**Kreswick Foot**

Specie	Whole
Alder	2653056A
Cherry	2653057A
Maple	2653058A
Paint Grade	2653059A
Red Oak	2653060A

**Orwell Foot**

Specie	Whole	Split**
Alder	2652418A	2652423A
Cherry	2652419A	2652424A
Maple	2652420A	2652425A
Paint Grade	2652421A	2652426A
Red Oak	2652422A	2652427A

**Shaker Square Foot**

Specie	Whole
Alder	2655627A
Cherry	2655628A
Maple	2655629A
Paint Grade	2655630A
Red Oak	2655631A

**Square Taper Foot**

Specie	Whole	Split**
Alder	2650788A	2650789A
Cherry	2650623A	2650626A
Maple	2650624A	2650627A
Paint Grade	2655751A	2655752A
Red Oak	2650625A	2650628A

**Square Taper Foot**

Specie	Whole	Split**
Alder	2650790A	2650791A
Cherry	2650629A	2650632A
Maple	2650630A	2650633A
Paint Grade	2655753A	2655754A
Red Oak	2650631A	2650634A

**Tulip Foot**

Specie	Whole	Split**
Alder	2650767A	2650768A
Cherry	2650563A	2650566A
Maple	2650564A	2650567A
Paint Grade	2655547A	2655548A
Red Oak	2650565A	2650568

**Tulip Foot**

Specie	Whole	Split**
Alder	2650769A	2650770A
Cherry	2650569A	2650572A
Maple	2650570A	2650573A
Paint Grade	2655549A	2655550A
Red Oak	2650571A	2650574A

**Vessel Foot**

Specie	Whole	Split**
Alder	2652408A	2652413A
Cherry	2652409A	2652414A
Maple	2652410A	2652415A
Paint Grade	2652411A	2652416A
Red Oak	2652412A	2652417A

\*\*Must purchase in pairs.  
Standard lead-time is 7-10 days.

**Wood Feet (continued)**

**Rochelle Foot (Corner)**

Specie	Whole
Cherry	2652480A
Maple	2652481A
Paint Grade	2652482A

**Rochelle Straight Foot (Left & Right)**

Specie	Whole**
Alder	2652524A
Cherry	2652517A
Maple	2652518A
Paint Grade	2652519A

## Metal Feet

### Triframe Foot



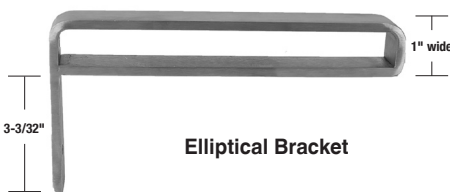
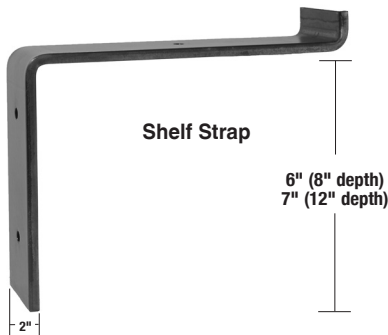
- Made from steel, laser cut, then hand welded.
- Choice of Gunmetal Grey and Wrought Iron powder coated finishes.
- Available in 6" and 9" heights.
- Usable outdoors as well as indoors.
- Works well with free-standing cabinets. 9" feet make free standing cabinets ADA compliant.
- Sold as individual pieces – for a pair, must order two feet.

Triframe Foot Part Number*		
Finish	6" Foot	9" Foot
Gunmetal Grey	2655973A	2655978A
Wrought Iron	2655976A	2655981A

\*Part number reflects each.

Standard lead-time is 7-10 days, expedites not available.

## Metal Shelf Supports



### Shelf Supports

- Provide attractive alternatives to the traditional floating shelf.
- The Shelf Strap and Elliptical Bracket are available in 8" and 12" depths.
- Finish options include Gold, Gunmetal Grey, Stainless Steel and Wrought Iron powder coated finishes. Installation screws in matching finish are included.
- It is imperative that the shelf supports are secured into wall studs with installation screws. Conestoga will not be responsible for shelf failure due to inadequate installation techniques or materials.
- Wood shelves not included. Wood shelves can be ordered as 3/4" or 1" thick slabs in any specie. Note: 60" max. length for two shelf straps.
- For an aged or rustic look on wood shelving, add distressing and wear sanding or utilize the weathered grain option.
- Sold as individual pieces – for a pair, must order two supports.

**Shelf Strap Part Number\***

Finish	8" Depth	12" Depth
Gold	2655944A	2655950A
Gunmetal Grey	2655945A	2655951A
Stainless Steel	2655948A	2655954A
Wrought Iron	2655949A	2655955A

**Elliptical Bracket Part Number\***

Finish	8" Depth	12" Depth
Gold	2655932A	2655938A
Gunmetal Grey	2655933A	2655939A
Stainless Steel	2655936A	2655942A
Wrought Iron	2655937A	2655943A

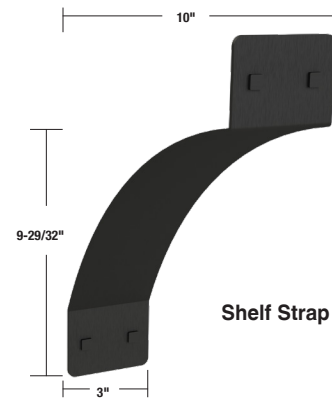
\*Part Number reflects each

## Decorative Floating Shelf Straps

- Add a finishing touch to any of our 10" deep floating shelves with the Lexington Shelf Strap.
- For decorative purposes only. Not intended to be weight bearing.
- Finish options include Gunmetal Grey, Stainless Steel and Wrought Iron powder coated finishes. Installation screws in matching finish are included.
- Sold as individual pieces - for a pair, must order two supports.

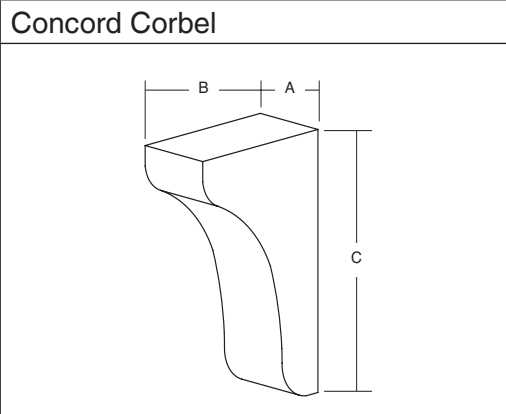
Lexington Shelf Strap	
Finish	Part No.*
Gunmetal Grey	2656110A
Stainless Steel	2656112A
Wrought Iron	2656113A

\*Part Number reflects each





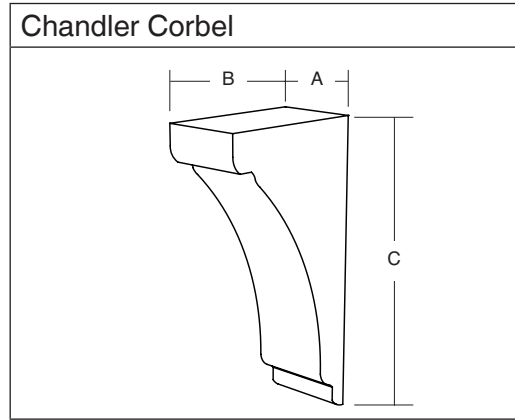
## Wood Corbels



Specie	Part No.	Dimension		
		A	B	C
Alder	2652899A	1-3/4"	1-1/2"	3"
Cherry	2652900A	1-3/4"	1-1/2"	3"
Maple	2652901A	1-3/4"	1-1/2"	3"
Paint Grade	2652902A	1-3/4"	1-1/2"	3"
Red Oak	2652903A	1-3/4"	1-1/2"	3"
Alder	2652894A	1-3/4"	4"	6-1/2"
Cherry	2652895A	1-3/4"	4"	6-1/2"
Maple	2652896A	1-3/4"	4"	6-1/2"
Paint Grade	2652897A	1-3/4"	4"	6-1/2"
Red Oak	2652898A	1-3/4"	4"	6-1/2"
Alder	2652889A	1-3/4"	5"	8-1/16"
Cherry	2652890A	1-3/4"	5"	8-1/16"
Maple	2652891A	1-3/4"	5"	8-1/16"
Paint Grade	2652892A	1-3/4"	5"	8-1/16"
Red Oak	2652893A	1-3/4"	5"	8-1/16"
Alder	2652884A	1-3/4"	6"	9-5/8"
Cherry	2652885A	1-3/4"	6"	9-5/8"
Maple	2652886A	1-3/4"	6"	9-5/8"
Paint Grade	2652887A	1-3/4"	6"	9-5/8"
Red Oak	2652888A	1-3/4"	6"	9-5/8"
Alder	2652879A	1-3/4"	8"	12-7/8"
Cherry	2652880A	1-3/4"	8"	12-7/8"
Maple	2652881A	1-3/4"	8"	12-7/8"
Paint Grade	2652882A	1-3/4"	8"	12-7/8"
Red Oak	2652883A	1-3/4"	8"	12-7/8"

Specie	Part No.	Dimension		
		A	B	C
Alder	2652924A	3"	1-1/2"	3"
Cherry	2652925A	3"	1-1/2"	3"
Maple	2652926A	3"	1-1/2"	3"
Paint Grade	2652927A	3"	1-1/2"	3"
Red Oak	2652928A	3"	1-1/2"	3"
Alder	2652919A	3"	4"	6-1/2"
Cherry	2652920A	3"	4"	6-1/2"
Maple	2652921A	3"	4"	6-1/2"
Paint Grade	2652922A	3"	4"	6-1/2"
Red Oak	2652923A	3"	4"	6-1/2"
Alder	2652914A	3"	5"	8-1/16"
Cherry	2652915A	3"	5"	8-1/16"
Maple	2652916A	3"	5"	8-1/16"
Paint Grade	2652917A	3"	5"	8-1/16"
Red Oak	2652918A	3"	5"	8-1/16"
Alder	2652909A	3"	6"	9-5/8"
Cherry	2652910A	3"	6"	9-5/8"
Maple	2652911A	3"	6"	9-5/8"
Paint Grade	2652912A	3"	6"	9-5/8"
Red Oak	2652913A	3"	6"	9-5/8"
Alder	2652904A	3"	8"	12-7/8"
Cherry	2652905A	3"	8"	12-7/8"
Maple	2652906A	3"	8"	12-7/8"
Paint Grade	2652907A	3"	8"	12-7/8"
Red Oak	2652908A	3"	8"	12-7/8"

Wood Corbels (continued)



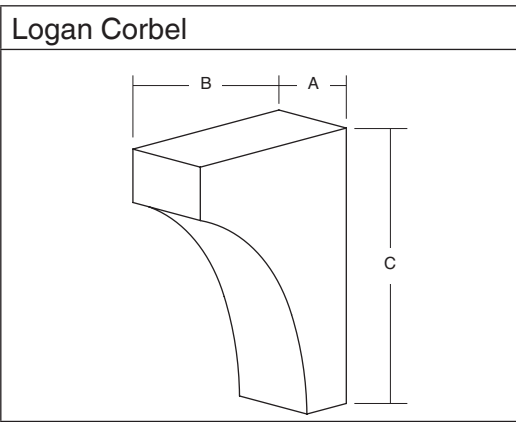
12

Legs, Corbels & Accents

Specie	Part No.	Dimension		
		A	B	C
Alder	2652659A	1-3/4"	4"	7-3/16"
Cherry	2652660A	1-3/4"	4"	7-3/16"
Maple	2652661A	1-3/4"	4"	7-3/16"
Paint Grade	2652662A	1-3/4"	4"	7-3/16"
Red Oak	2652663A	1-3/4"	4"	7-3/16"
Alder	2652654A	1-3/4"	5"	9"
Cherry	2652655A	1-3/4"	5"	9"
Maple	2652656A	1-3/4"	5"	9"
Paint Grade	2652657A	1-3/4"	5"	9"
Red Oak	2652658A	1-3/4"	5"	9"
Alder	2652649A	1-3/4"	5-1/2"	10-5/8"
Cherry	2652650A	1-3/4"	5-1/2"	10-5/8"
Maple	2652651A	1-3/4"	5-1/2"	10-5/8"
Paint Grade	2652652A	1-3/4"	5-1/2"	10-5/8"
Red Oak	2652653A	1-3/4"	5-1/2"	10-5/8"
Alder	2652644A	1-3/4"	8"	14-5/32"
Cherry	2652645A	1-3/4"	8"	14-5/32"
Maple	2652646A	1-3/4"	8"	14-5/32"
Paint Grade	2652647A	1-3/4"	8"	14-5/32"
Red Oak	2652648A	1-3/4"	8"	14-5/32"

Specie	Part No.	Dimension		
		A	B	C
Alder	2652679A	3"	4"	7-3/16"
Cherry	2652680A	3"	4"	7-3/16"
Maple	2652681A	3"	4"	7-3/16"
Paint Grade	2652682A	3"	4"	7-3/16"
Red Oak	2652683A	3"	4"	7-3/16"
Alder	2652674A	3"	5"	9"
Cherry	2652675A	3"	5"	9"
Maple	2652676A	3"	5"	9"
Paint Grade	2652677A	3"	5"	9"
Red Oak	2652678A	3"	5"	9"
Alder	2652669A	3"	5-1/2"	10-5/8"
Cherry	2652670A	3"	5-1/2"	10-5/8"
Maple	2652671A	3"	5-1/2"	10-5/8"
Paint Grade	2652672A	3"	5-1/2"	10-5/8"
Red Oak	2652673A	3"	5-1/2"	10-5/8"
Alder	2652664A	3"	8"	14-5/32"
Cherry	2652665A	3"	8"	14-5/32"
Maple	2652666A	3"	8"	14-5/32"
Paint Grade	2652667A	3"	8"	14-5/32"
Red Oak	2652668A	3"	8"	14-5/32"

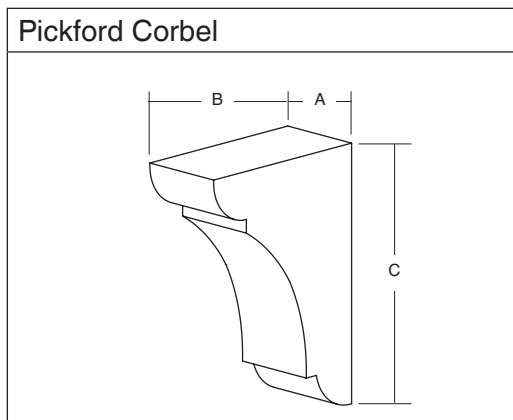
## Wood Corbels (continued)



Specie	Part No.	Dimension		
		A	B	C
Alder	2652989A	1-3/4"	3"	3"
Cherry	2652990A	1-3/4"	3"	3"
Maple	2652991A	1-3/4"	3"	3"
Paint Grade	2652992A	1-3/4"	3"	3"
Red Oak	2652993A	1-3/4"	3"	3"
Alder	2652984A	1-3/4"	4"	6"
Cherry	2652985A	1-3/4"	4"	6"
Maple	2652986A	1-3/4"	4"	6"
Paint Grade	2652987A	1-3/4"	4"	6"
Red Oak	2652988A	1-3/4"	4"	6"
Alder	2652979A	1-3/4"	5"	7-1/2"
Cherry	2652980A	1-3/4"	5"	7-1/2"
Maple	2652981A	1-3/4"	5"	7-1/2"
Paint Grade	2652982A	1-3/4"	5"	7-1/2"
Red Oak	2652983A	1-3/4"	5"	7-1/2"
Alder	2652974A	1-3/4"	6-1/2"	9"
Cherry	2652975A	1-3/4"	6-1/2"	9"
Maple	2652976A	1-3/4"	6-1/2"	9"
Paint Grade	2652977A	1-3/4"	6-1/2"	9"
Red Oak	2652978A	1-3/4"	6-1/2"	9"
Alder	2652969A	1-3/4"	8"	12"
Cherry	2652970A	1-3/4"	8"	12"
Maple	2652971A	1-3/4"	8"	12"
Paint Grade	2652972A	1-3/4"	8"	12"
Red Oak	2652973A	1-3/4"	8"	12"

Specie	Part No.	Dimension		
		A	B	C
Alder	2653014A	3"	3"	3"
Cherry	2653015A	3"	3"	3"
Maple	2653016A	3"	3"	3"
Paint Grade	2653017A	3"	3"	3"
Red Oak	2653018A	3"	3"	3"
Alder	2653009A	3"	4"	6"
Cherry	2653010A	3"	4"	6"
Maple	2653011A	3"	4"	6"
Paint Grade	2653012A	3"	4"	6"
Red Oak	2653013A	3"	4"	6"
Alder	2653004A	3"	5"	7-1/2"
Cherry	2653005A	3"	5"	7-1/2"
Maple	2653006A	3"	5"	7-1/2"
Paint Grade	2653007A	3"	5"	7-1/2"
Red Oak	2653008A	3"	5"	7-1/2"
Alder	2652999A	3"	6-1/2"	9"
Cherry	2653000A	3"	6-1/2"	9"
Maple	2653001A	3"	6-1/2"	9"
Paint Grade	2653002A	3"	6-1/2"	9"
Red Oak	2653003A	3"	6-1/2"	9"
Alder	2652994A	3"	8"	12"
Cherry	2652995A	3"	8"	12"
Maple	2652996A	3"	8"	12"
Paint Grade	2652997A	3"	8"	12"
Red Oak	2652998A	3"	8"	12"

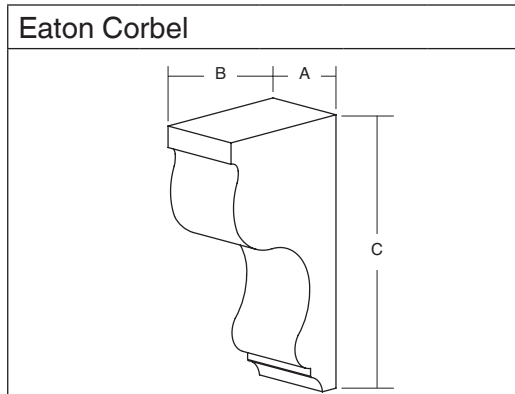
## Wood Corbels (continued)



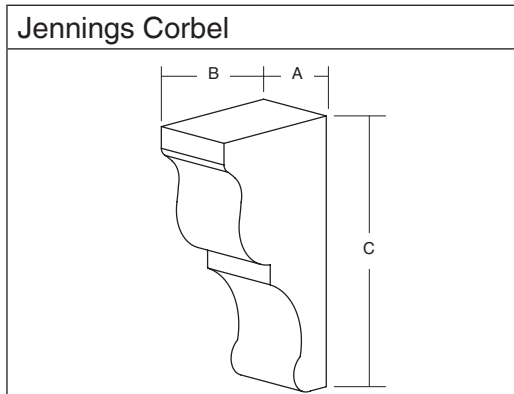
Specie	Part No.	Dimension		
		A	B	C
Alder	2652704A	1-3/4"	3"	3"
Cherry	2652705A	1-3/4"	3"	3"
Maple	2652706A	1-3/4"	3"	3"
Paint Grade	2652707A	1-3/4"	3"	3"
Red Oak	2652708A	1-3/4"	3"	3"
Alder	2652699A	1-3/4"	4"	6"
Cherry	2652700A	1-3/4"	4"	6"
Maple	2652701A	1-3/4"	4"	6"
Paint Grade	2652702A	1-3/4"	4"	6"
Red Oak	2652703A	1-3/4"	4"	6"
Alder	2652694A	1-3/4"	5"	7-1/2"
Cherry	2652695A	1-3/4"	5"	7-1/2"
Maple	2652696A	1-3/4"	5"	7-1/2"
Paint Grade	2652697A	1-3/4"	5"	7-1/2"
Red Oak	2652698A	1-3/4"	5"	7-1/2"
Alder	2652689A	1-3/4"	6-1/2"	9"
Cherry	2652690A	1-3/4"	6-1/2"	9"
Maple	2652691A	1-3/4"	6-1/2"	9"
Paint Grade	2652692A	1-3/4"	6-1/2"	9"
Red Oak	2652693A	1-3/4"	6-1/2"	9"
Alder	2652684A	1-3/4"	8"	12"
Cherry	2652685A	1-3/4"	8"	12"
Maple	2652686A	1-3/4"	8"	12"
Paint Grade	2652687A	1-3/4"	8"	12"
Red Oak	2652688A	1-3/4"	8"	12"

Specie	Part No.	Dimension		
		A	B	C
Alder	2652729A	3"	3"	3"
Cherry	2652730A	3"	3"	3"
Maple	2652731A	3"	3"	3"
Paint Grade	2652732A	3"	3"	3"
Red Oak	2652733A	3"	3"	3"
Alder	2652724A	3"	4"	6"
Cherry	2652725A	3"	4"	6"
Maple	2652726A	3"	4"	6"
Paint Grade	2652727A	3"	4"	6"
Red Oak	2652728A	3"	4"	6"
Alder	2652719A	3"	5"	7-1/2"
Cherry	2652720A	3"	5"	7-1/2"
Maple	2652721A	3"	5"	7-1/2"
Paint Grade	2652722A	3"	5"	7-1/2"
Red Oak	2652723A	3"	5"	7-1/2"
Alder	2652714A	3"	6-1/2"	9"
Cherry	2652715A	3"	6-1/2"	9"
Maple	2652716A	3"	6-1/2"	9"
Paint Grade	2652717A	3"	6-1/2"	9"
Red Oak	2652718A	3"	6-1/2"	9"
Alder	2652709A	3"	8"	12"
Cherry	2652710A	3"	8"	12"
Maple	2652711A	3"	8"	12"
Paint Grade	2652712A	3"	8"	12"
Red Oak	2652713A	3"	8"	12"

### Wood Corbels (continued)



Specie	Part No.	Dimension		
		A	B	C
Alder	2652854A	1-3/4"	3-1/4"	6-5/16"
Cherry	2652855A	1-3/4"	3-1/4"	6-5/16"
Maple	2652856A	1-3/4"	3-1/4"	6-5/16"
Paint Grade	2652857A	1-3/4"	3-1/4"	6-5/16"
Red Oak	2652858A	1-3/4"	3-1/4"	6-5/16"
Alder	2652849A	1-3/4"	4"	7-3/4"
Cherry	2652850A	1-3/4"	4"	7-3/4"
Maple	2652851A	1-3/4"	4"	7-3/4"
Paint Grade	2652852A	1-3/4"	4"	7-3/4"
Red Oak	2652853A	1-3/4"	4"	7-3/4"
Alder	2652844A	1-3/4"	5"	9-9/16"
Cherry	2652845A	1-3/4"	5"	9-9/16"
Maple	2652846A	1-3/4"	5"	9-9/16"
Paint Grade	2652847A	1-3/4"	5"	9-9/16"
Red Oak	2652848A	1-3/4"	5"	9-9/16"
Alder	2652839A	1-3/4"	6-1/2"	12-1/2"
Cherry	2652840A	1-3/4"	6-1/2"	12-1/2"
Maple	2652841A	1-3/4"	6-1/2"	12-1/2"
Paint Grade	2652842A	1-3/4"	6-1/2"	12-1/2"
Red Oak	2652843A	1-3/4"	6-1/2"	12-1/2"
Alder	2652874A	3"	3-1/4"	6-5/16"
Cherry	2652875A	3"	3-1/4"	6-5/16"
Maple	2652876A	3"	3-1/4"	6-5/16"
Paint Grade	2652877A	3"	3-1/4"	6-5/16"
Red Oak	2652878A	3"	3-1/4"	6-5/16"
Alder	2652869A	3"	4"	7-3/4"
Cherry	2652870A	3"	4"	7-3/4"
Maple	2652871A	3"	4"	7-3/4"
Paint Grade	2652872A	3"	4"	7-3/4"
Red Oak	2652873A	3"	4"	7-3/4"
Alder	2652864A	3"	5"	9-9/16"
Cherry	2652865A	3"	5"	9-9/16"
Maple	2652866A	3"	5"	9-9/16"
Paint Grade	2652867A	3"	5"	9-9/16"
Red Oak	2652868A	3"	5"	9-9/16"
Alder	2652859A	3"	6-1/2"	12-1/2"
Cherry	2652860A	3"	6-1/2"	12-1/2"
Maple	2652861A	3"	6-1/2"	12-1/2"
Paint Grade	2652862A	3"	6-1/2"	12-1/2"
Red Oak	2652863A	3"	6-1/2"	12-1/2"



Specie	Part No.	Dimension		
		A	B	C
Alder	2652749A	1-3/4"	3-1/2"	6-1/8"
Cherry	2652750A	1-3/4"	3-1/2"	6-1/8"
Maple	2652751A	1-3/4"	3-1/2"	6-1/8"
Paint Grade	2652752A	1-3/4"	3-1/2"	6-1/8"
Red Oak	2652753A	1-3/4"	3-1/2"	6-1/8"
Alder	2652744A	1-3/4"	4-1/4"	7-1/2"
Cherry	2652745A	1-3/4"	4-1/4"	7-1/2"
Maple	2652746A	1-3/4"	4-1/4"	7-1/2"
Paint Grade	2652747A	1-3/4"	4-1/4"	7-1/2"
Red Oak	2652748A	1-3/4"	4-1/4"	7-1/2"
Alder	2652739A	1-3/4"	4-7/8"	9-1/2"
Cherry	2652740A	1-3/4"	4-7/8"	9-1/2"
Maple	2652741A	1-3/4"	4-7/8"	9-1/2"
Paint Grade	2652742A	1-3/4"	4-7/8"	9-1/2"
Red Oak	2652743A	1-3/4"	4-7/8"	9-1/2"
Alder	2652734A	1-3/4"	6-9/16"	12-3/4"
Cherry	2652735A	1-3/4"	6-9/16"	12-3/4"
Maple	2652736A	1-3/4"	6-9/16"	12-3/4"
Paint Grade	2652737A	1-3/4"	6-9/16"	12-3/4"
Red Oak	2652738A	1-3/4"	6-9/16"	12-3/4"
Alder	2652769A	3"	3-1/2"	6-1/8"
Cherry	2652770A	3"	3-1/2"	6-1/8"
Maple	2652771A	3"	3-1/2"	6-1/8"
Paint Grade	2652772A	3"	3-1/2"	6-1/8"
Red Oak	2652773A	3"	3-1/2"	6-1/8"
Alder	2652764A	3"	4-1/4"	7-1/2"
Cherry	2652765A	3"	4-1/4"	7-1/2"
Maple	2652766A	3"	4-1/4"	7-1/2"
Paint Grade	2652767A	3"	4-1/4"	7-1/2"
Red Oak	2652768A	3"	4-1/4"	7-1/2"
Alder	2652759A	3"	4-7/8"	9-1/2"
Cherry	2652760A	3"	4-7/8"	9-1/2"
Maple	2652761A	3"	4-7/8"	9-1/2"
Paint Grade	2652762A	3"	4-7/8"	9-1/2"
Red Oak	2652763A	3"	4-7/8"	9-1/2"
Alder	2652754A	3"	6-9/16"	12-3/4"
Cherry	2652755A	3"	6-9/16"	12-3/4"
Maple	2652756A	3"	6-9/16"	12-3/4"
Paint Grade	2652757A	3"	6-9/16"	12-3/4"
Red Oak	2652758A	3"	6-9/16"	12-3/4"

**Wood Corbels (continued)**

Houghton Corbel				
		Dimension		
Specie	Part No.	A	B	C
Alder	2652964A	3"	3"	5"
Cherry	2652965A	3"	3"	5"
Maple	2652966A	3"	3"	5"
Paint Grade	2652967A	3"	3"	5"
Red Oak	2652968A	3"	3"	5"
Alder	2652959A	3"	4-1/2"	7-1/2"
Cherry	2652960A	3"	4-1/2"	7-1/2"
Maple	2652961A	3"	4-1/2"	7-1/2"
Paint Grade	2652962A	3"	4-1/2"	7-1/2"
Red Oak	2652963A	3"	4-1/2"	7-1/2"
Alder	2652954A	3"	6"	10"
Cherry	2652955A	3"	6"	10"
Maple	2652956A	3"	6"	10"
Paint Grade	2652957A	3"	6"	10"
Red Oak	2652958A	3"	6"	10"
Alder	2652949A	3"	8-1/2"	14"
Cherry	2652950A	3"	8-1/2"	14"
Maple	2652951A	3"	8-1/2"	14"
Paint Grade	2652952A	3"	8-1/2"	14"
Red Oak	2652953A	3"	8-1/2"	14"
Alder	2652944A	4-3/4"	12"	22"
Cherry	2652945A	4-3/4"	12"	22"
Maple	2652946A	4-3/4"	12"	22"
Paint Grade	2652947A	4-3/4"	12"	22"
Red Oak	2652948A	4-3/4"	12"	22"

Concord Bracket				
		Dimension		
Specie	Part No.	A	B	C
Alder	2652934A	1-3/4"	10"	10"
Cherry	2652935A	1-3/4"	10"	10"
Maple	2652936A	1-3/4"	10"	10"
Paint Grade	2652937A	1-3/4"	10"	10"
Red Oak	2652938A	1-3/4"	10"	10"
Alder	2652939A	3"	10"	10"
Cherry	2652940A	3"	10"	10"
Maple	2652941A	3"	10"	10"
Paint Grade	2652942A	3"	10"	10"
Red Oak	2652943A	3"	10"	10"

Jennings Bracket				
		Dimension		
Specie	Part No.	A	B	C
Alder	2652779A	1-3/4"	10"	10"
Cherry	2652780A	1-3/4"	10"	10"
Maple	2652781A	1-3/4"	10"	10"
Paint Grade	2652782A	1-3/4"	10"	10"
Red Oak	2652783A	1-3/4"	10"	10"
Alder	2652784A	3"	10"	10"
Cherry	2652785A	3"	10"	10"
Maple	2652786A	3"	10"	10"
Paint Grade	2652787A	3"	10"	10"
Red Oak	2652788A	3"	10"	10"

## Wood Corbels (continued)

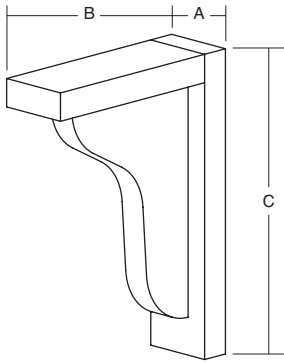
Simplicity Corbel				
		Dimension		
Specie	Part No.	A	B	C
Alder	2655692A	2-3/4"	6"	10"
Cherry	2655693A	2-3/4"	6"	10"
Maple	2655694A	2-3/4"	6"	10"
Paint Grade	2655695A	2-3/4"	6"	10"
Red Oak	2655696A	2-3/4"	6"	10"
Alder	2655687A	3-1/2"	8"	12"
Cherry	2655688A	3-1/2"	8"	12"
Maple	2655689A	3-1/2"	8"	12"
Paint Grade	2655690A	3-1/2"	8"	12"
Red Oak	2655691A	3-1/2"	8"	12"

Simplicity Corbel				
		Dimension		
Specie	Part No.	A	B	C
Alder	2655682A	4-1/2"	5-3/4"	5"
Cherry	2655683A	4-1/2"	5-3/4"	5"
Maple	2655684A	4-1/2"	5-3/4"	5"
Paint Grade	2655685A	4-1/2"	5-3/4"	5"
Red Oak	2655686A	4-1/2"	5-3/4"	5"

Simplicity Routed Corbel				
		Dimension		
Specie	Part No.	A	B	C
Alder	2655657A	3-1/2"	8"	12"
Cherry	2655658A	3-1/2"	8"	12"
Maple	2655659A	3-1/2"	8"	12"
Paint Grade	2655660A	3-1/2"	8"	12"
Red Oak	2655661A	3-1/2"	8"	12"

### Wood Corbels (continued)

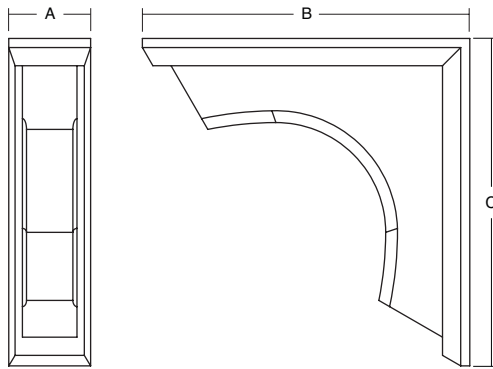
#### Counter Support Bracket (must purchase in pairs)



Specie	Part No.*	Dimension		
		A	B	C
Alder	2200186A	1-15/16"	5-15/16"	8-1/16"
Cherry	2200183A	1-15/16"	5-15/16"	8-1/16"
Maple	2200184A	1-15/16"	5-15/16"	8-1/16"
Red Oak	2200185A	1-15/16"	5-15/16"	8-1/16"
Alder	2200182A	1-15/16"	7-15/16"	10-1/16"
Cherry	2200179A	1-15/16"	7-15/16"	10-1/16"
Maple	2200180A	1-15/16"	7-15/16"	10-1/16"
Red Oak	2200181A	1-15/16"	7-15/16"	10-1/16"

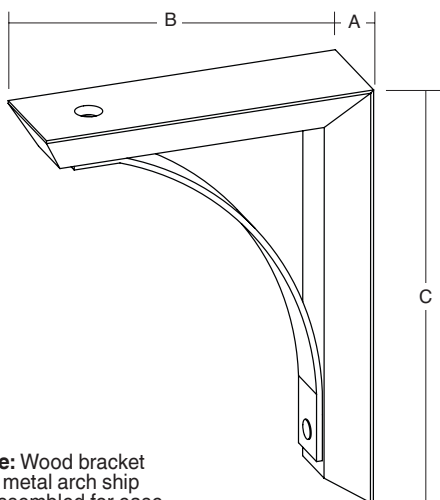
\*Part Number reflects each

#### Laurel Bracket



Specie	Part No.	Dimension		
		A	B	C
Alder	2655823A	1-1/4"	5"	5"
Cherry	2655824A	1-1/4"	5"	5"
Maple	2655825A	1-1/4"	5"	5"
Red Oak	2655822A	1-1/4"	5"	5"
Alder	2655827A	3-3/4"	9"	9"
Cherry	2655828A	3-3/4"	9"	9"
Maple	2655829A	3-3/4"	9"	9"
Red Oak	2655826A	3-3/4"	9"	9"
Alder	2655831A	3-3/4"	9"	14"
Cherry	2655832A	3-3/4"	9"	14"
Maple	2655833A	3-3/4"	9"	14"
Red Oak	2655830A	3-3/4"	9"	14"

#### Millwood Bracket with Metal Arch



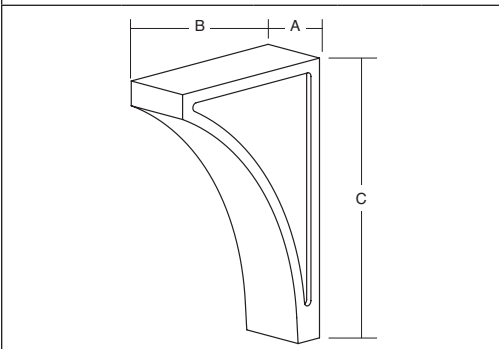
	Specie	Part No.	Dimension		
			A	B	C
Wrought Iron	Cherry	2656152A	2-1/8"	7"	9"
		2656160A	2-1/8"	9"	12"
	Maple	2656154A	2-1/8"	7"	9"
		2656162A	2-1/8"	9"	12"
	Red Oak	2656150A	2-1/8"	7"	9"
		2656158A	2-1/8"	9"	12"
	White Oak	2656156A	2-1/8"	7"	9"
		2656164A	2-1/8"	9"	12"

**Note:** Wood bracket and metal arch ship unassembled for ease of finishing.



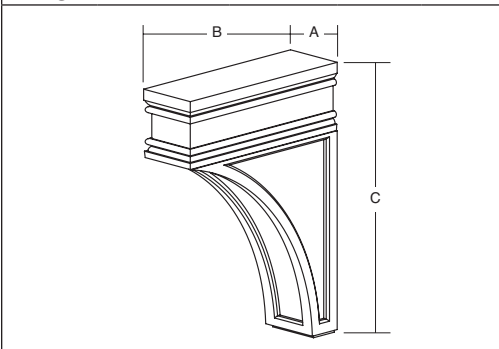
### Wood Corbels (continued)

Arts & Crafts Corbel



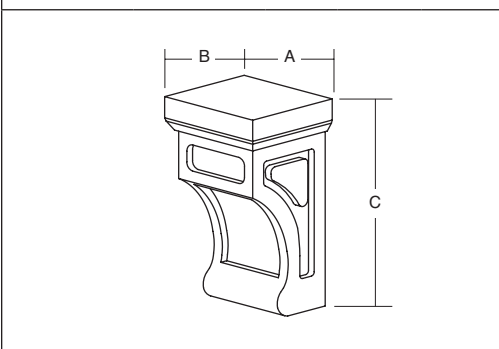
		Dimension		
Specie	Part No.	A	B	C
Maple	194.69.151	3"	8"	12"

Large Arts & Crafts Corbel



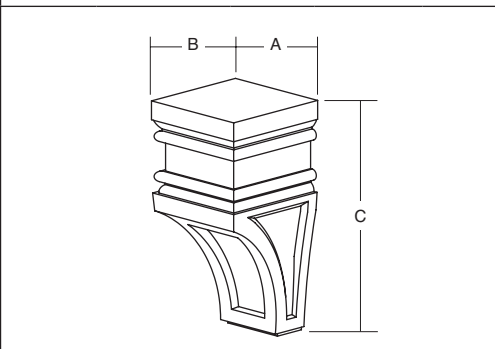
		Dimension		
Specie	Part No.	A	B	C
Cherry	198.04.630	2-13/16"	8-7/8"	12"
Maple	198.04.130	2-13/16"	8-7/8"	12"

Small Shaker Corbel



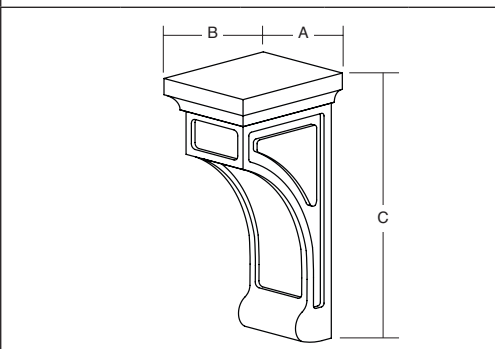
		Dimension		
Specie	Part No.	A	B	C
Alder	2655662A	4"	3-1/2"	6-3/4"
Cherry	2655663A	4"	3-1/2"	6-3/4"
Maple	2655664A	4"	3-1/2"	6-3/4"
Paint Grade	2655665A	4"	3-1/2"	6-3/4"
Red Oak	2655666A	4"	3-1/2"	6-3/4"

Arts & Crafts Corbel



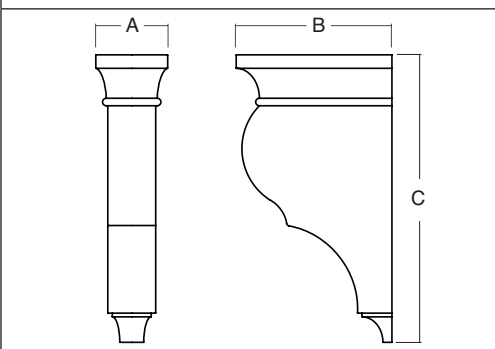
		Dimension		
Specie	Part No.	A	B	C
Cherry	198.04.640	5-3/4"	3-15/16"	9"
Maple	198.04.140	5-3/4"	3-15/16"	9"
Cherry	198.04.650	2-7/8"	2-15/16"	6"
Maple	198.04.150	2-7/8"	2-15/16"	6"

Medium Shaker Corbel



		Dimension		
Specie	Part No.	A	B	C
Alder	2655667A	5-3/8"	6-3/4"	13-3/8"
Cherry	2655668A	5-3/8"	6-3/4"	13-3/8"
Maple	2655669A	5-3/8"	6-3/4"	13-3/8"
Paint Grade	2655670A	5-3/8"	6-3/4"	13-3/8"
Red Oak	2655671A	5-3/8"	6-3/4"	13-3/8"

Traditional Corbel



		Dimension		
Specie	Part No.	A	B	C
Maple	194.69.150	3"	6-1/2"	12"

Wood Corbels (continued)

**Acanthus Corbel**

		Dimension		
Specie	Part No.	A	B	C
Cherry	194.69.604	5-3/4"	6-1/16"	9"
Maple	194.69.104	5-3/4"	6-1/16"	9"

**Acanthus Corbel**

		Dimension		
Specie	Part No.	A	B	C
Cherry	194.69.608	2-7/8"	9-3/16"	13"
Maple	194.69.108	2-7/8"	9-3/16"	13"

**Isabelle Corbel**

		Dimension		
Specie	Part No.	A	B	C
Cherry	2655806A	2-1/2"	6-1/8"	8"
Maple	2655807A	2-1/2"	6-1/8"	8"
Cherry	2655809A	4"	9-1/2"	14"
Maple	2655810A	4"	9-1/2"	14"

**Scroll Corbel**

		Dimension		
Specie	Part No.	A	B	C
Cherry	194.69.605	5-3/4"	6-1/16"	9"
Maple	194.69.105	5-3/4"	6-1/16"	9"

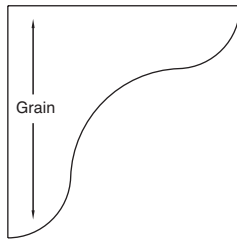
**Scroll Corbel**

		Dimension		
Specie	Part No.	A	B	C
Cherry	194.69.606	2-7/8"	9-3/16"	13"
Maple	194.69.106	2-7/8"	9-3/16"	13"

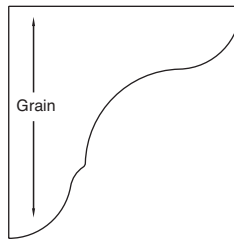
**Scroll Routed Corbel**

		Dimension		
Specie	Part No.	A	B	C
Cherry	2655653A	3-1/2"	7"	14"
Maple	2655654A	3-1/2"	7"	14"

## Wood Knee Brackets



**Style "A"**



**Style "B"**

- All published species available.
- Use Design Charge plus square foot Material Charge.
- Material Category B.
- 3/4" thick standard, 1" thick optional (bracket only).
- Available unfinished or finished. See the Finishing Program Section for availability and pricing.
- 6 day Standard lead-time, 2 day Code Red expedite lead-time; add 5-6 days for finishing.

Knee Brackets		
Size	Style "A"	Style "B"
6" x 6"		
9" x 9"		
12" x 12"		

## Installation Cleats

- All published species available.
- Use Design Charge plus square foot Material Charge.
- Material Category B.
- Installation cleats sold in pairs.
- Brackets are 3/4" x 3" wide, sized 1-1/2" longer than the appropriate bracket for installation.
- Top cleat is designed to overlap back cleat by 3/4".
- Machine edge two long and one short edge; B2 profile on one short edge (leading edge).
- Available unfinished or finished. See the Finishing Program Section for availability and pricing.
- 6 day Standard lead-time, 2 day Code Red expedite lead-time; add 5-6 days for finishing.

Installation Cleats		
Cleat Size	Bracket Size	Design Charge
Top: 3" x 8-1/4"	6" x 6"	
Back: 3" x 7-1/2"		
Top: 3" x 11-1/4"	9" x 9"	
Back: 3" x 10-1/2"		
Top: 3" x 14-1/4"	12" x 12"	
Back: 3" x 13-1/2"		

