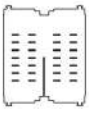



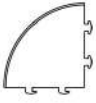


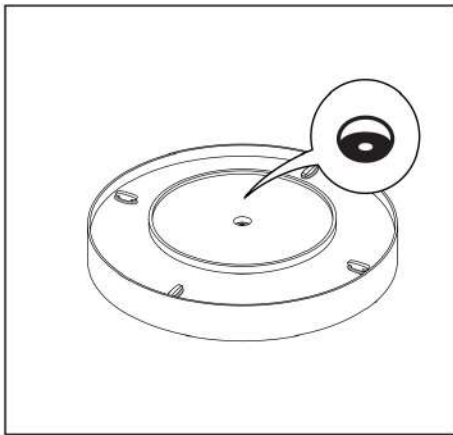
# Instruction Manual

K: 43329922 | T: 68731366 PLASTIC ROTATING TOWER

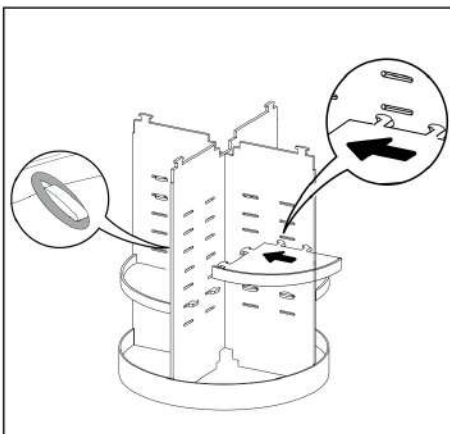
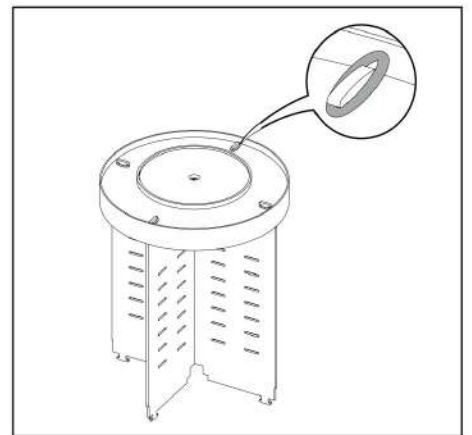
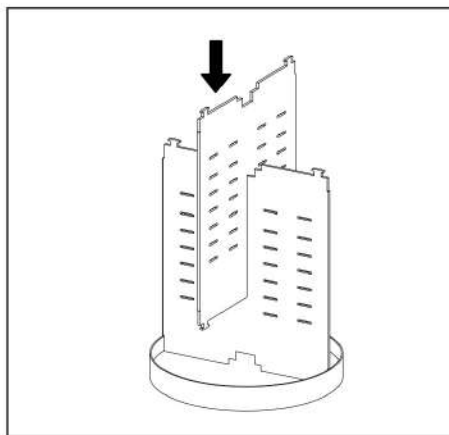
CARE INSTRUCTION: Wipe clean with a soft dry or damp cloth. For indoor and domestic use.  
Check and tighten all parts regularly.

MAXIMUM LOADING WEIGHT: 1.2kg for each insert layer, 3kg for top organizer.

	Support frame	2 PCS		Top plate	1 PC		Rubber ring	20 PCS
	Base plate	1 PC		Middle tray	6 PCS			



Please ensure the bottom screw is tightened before installation.



Insert 6 middle trays into the support frame according to your preference.

