

BRASS LEVER HANDLE FLARE GAS VALVE



TECHNICAL DATA



DESCRIPTION:

Flare x Female Straight Gas Lever Handle Brass Valve

CONSTRUCTION:

- Forged brass 2 piece body
- Zinc diecast painted handle
- Stainless steel ball mechanism

FINISH:

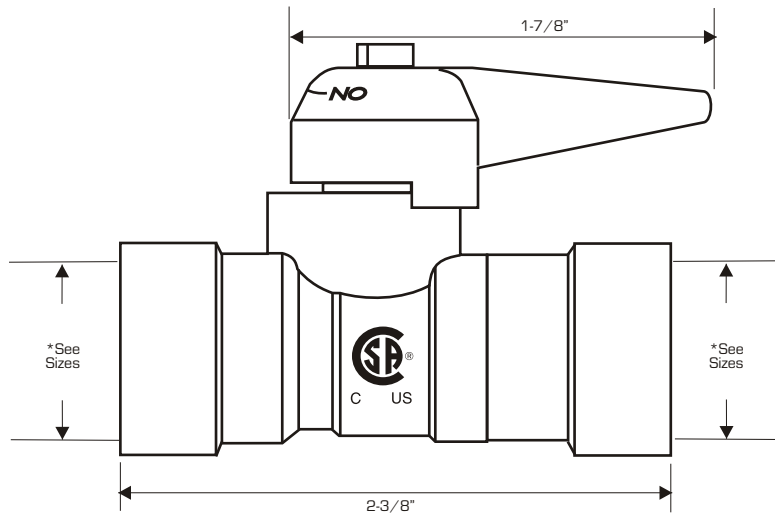
- Rough brass finish
- Red handle

CODE APPROVALS: ISO 9002, AGA, CGA

COUNTRY OF ORIGIN: Taiwan

PART#	DESCRIPTION	SIZE	FINISH
60001	brass lever handle Flare gas valve	3/8" OD FLARE x 1/2" FIP	rough brass
60003	brass lever handle Flare gas valve	1/2" OD FLARE x 1/2" FIP	rough brass

ROUGH IN DRAWING



ALL DIMENSIONS SHOWN ARE NOMINAL