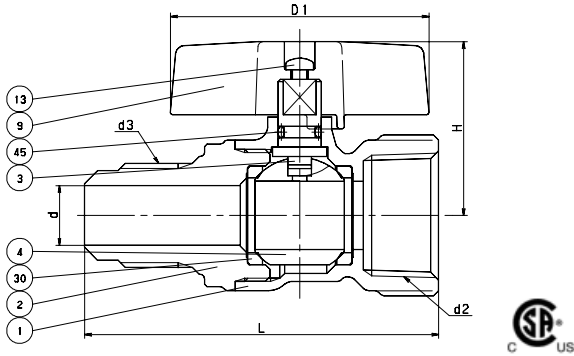


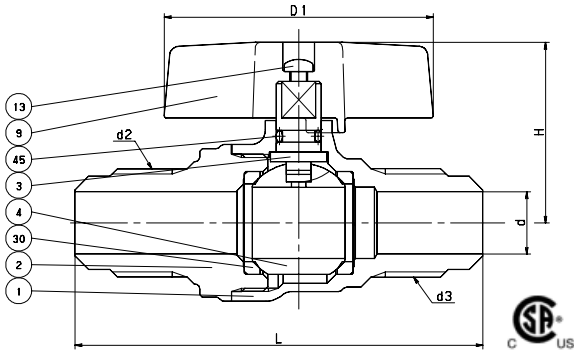
FORGED BRASS GAS BALL VALVE

One Piece Body • Regular Port
CSA (US/C)

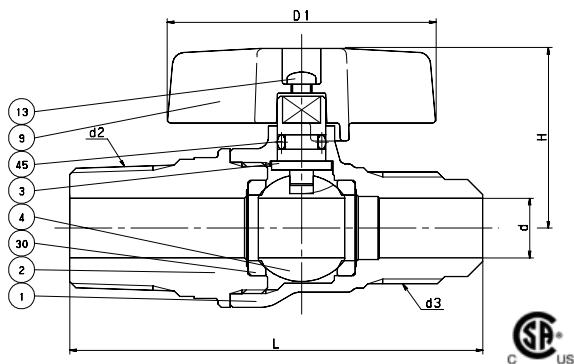
CODE # 60F
FIPS x FLARE



CODE # 60FF
FLARE x FLARE



CODE # 60FO
FLARE x MIPS



STANDARDS	
END TO END	KITZ
END CONNECTION	ANSI B1.20.1/SAE J512
WALL THICKNESS	KITZ
DESIGN	MSS SP-110

PRESSURE/TEMPERATURE STANDARDS
2G 5G 1/2 PSI
175 PSI - NON-SHOCK COLD WATER, OIL OR GAS

MATERIAL LIST		
NO.	NAME OF PART	SPECIFICATION
1	BODY	FORGED BRASS (B283, C37700)
2	BODY CAP	FORGED BRASS (B283, C37700)
3	STEM	BRASS ROD (B124, C37700)
4	BALL	(1) FORGED BRASS (B283, C37700)
9	HANDLE	ALUMINUM DIE-CAST (B85)
13	HANDLE BOLT	STAINLESS STEEL (A276 TYPE 304)
30	BALL SEATS	PTFE
45	O-RING	NBR

NOTES: (1) CR. PLATING

60F						
DIMENSIONS - WEIGHTS - QUANTITIES						
d2/d3 SIZE	d	H	D1	L	APPROX. NET WT.	CARTON QTY
1/2 x 3/8	.28	1.19	1.77	2.46	26	96
1/2 x 1/2	.39	1.19	1.77	2.57	26	72
3/4 x 5/8 *	.50	1.45	2.17	2.96	36	60

* 5/8 (15/16 - 16 UN) THREADS

60FF						
DIMENSIONS - WEIGHTS - QUANTITIES						
d2/d3 SIZE	d	H	D1	L	APPROX. NET WT.	CARTON QTY
3/8 x 3/8	.28	1.19	1.77	2.56	29	96
1/2 x 1/2	.39	1.19	1.77	2.73	25	72
5/8 x 5/8 *	.50	1.45	2.17	3.28	35	60

* 5/8 (15/16 - 16 UN) THREADS

60FO						
DIMENSIONS - WEIGHTS - QUANTITIES						
d3/d2 SIZE	d	H	D1	L	APPROX. NET WT.	CARTON QTY
3/8 x 1/2	.39	1.19	1.77	2.67	26	72
1/2 x 1/2	.39	1.19	1.77	2.73	26	72

CERTIFICATIONS:

- CSA (US/C): AGA 3-88 - 2/5G
- CGA 9.1 M97/ANSI 21.15-1997 - .5G
- CGA 9.2 M-88 - .5G
- CGA 3.16-M88 - 125G