

SEACHROME

SEACHROME CORPORATION

Phone: (800) 955-2476

Fax: (800) 444-3380

www.seachrome.com

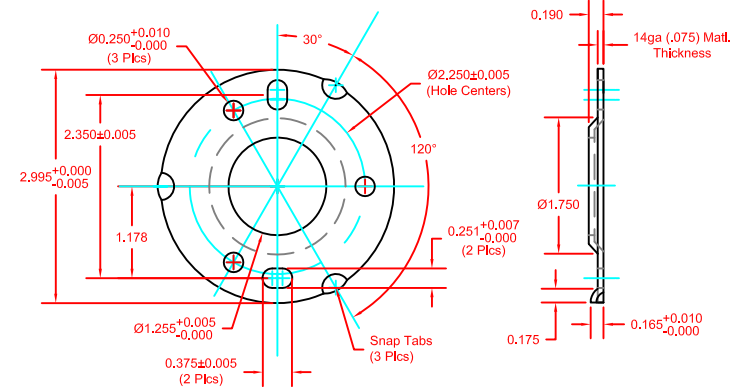
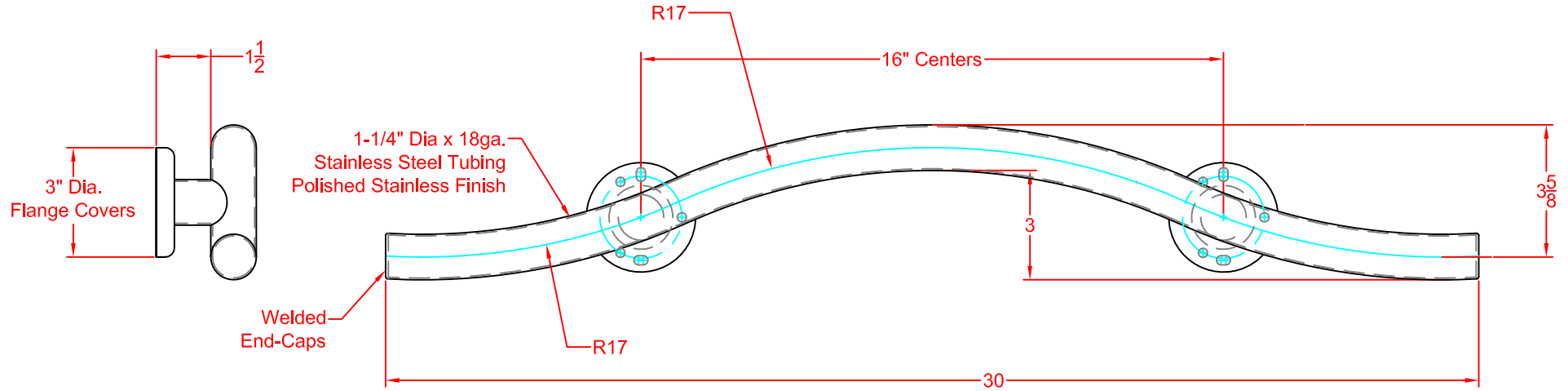
Description:

GW-3130-QCR-PS
30" Maverick Double Arched Bar
1-1/4" x 18ga S.S. Tubing
(Polished Stainless Finish)

Customer:

Customer Part #

05-21-2012



IQCR5-B-Flange
Detail

This drawing and the information contained herein is proprietary to Seachrome Corp. and shall not be reproduced, copied or disclosed in whole, or part, or used for manufacturing or for any other purpose without the written permission of Seachrome Corporation.