



226 Wildcat Rd, North York, ON, M3J 2N5



info@renovationoutlet.ca



(+1) 416-822-7588

RENOVATIONOUTLET

door hardware at unbeatable price

Mon-Fr: 10am-5pm

Sat: 10am-4pm

Sun: closed

MODERN & CLASSIC DESIGN

Modern door hardware is becoming more and more popular these days, so we've done our best to expand this growing category with great products.

Modern Design is all about simplicity and clean lines. This simplicity should be consistent throughout the space from door levers to door stops. The most popular finishes for modern hardware are black and stainless steel.

We have all kinds of products available in these finishes, but there are also many available in popular oil rubbed bronze. The oil rubbed bronze finish is an excellent choice for a more rustic style home with a modern flair.

Backed by affordable prices and speedy shipping, it is easier than ever to find the right solution when you shop at RenovationOutlet.ca

ALWAYS IN STOCK

We hold huge inventory of various door hardware products in many colors and can supply required quantity no matter how big your project is.

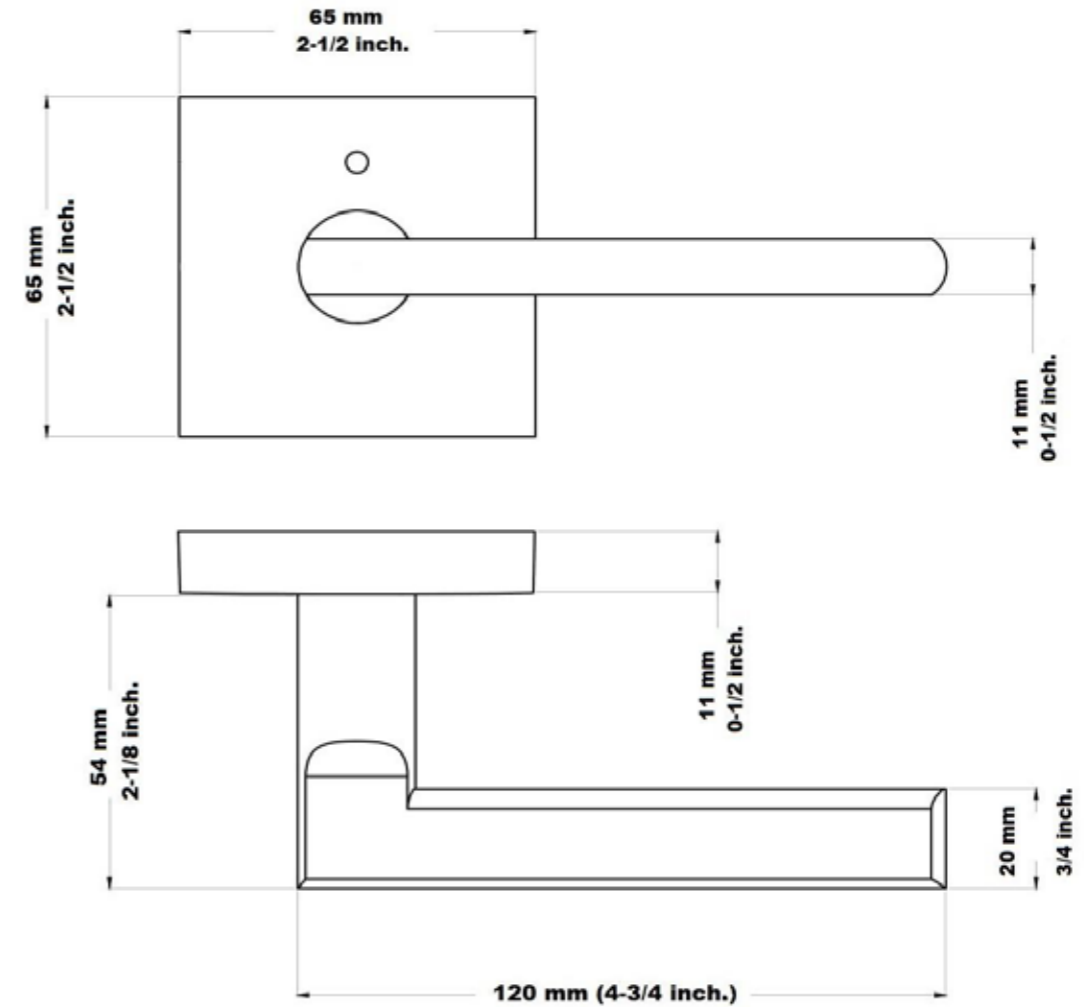
COMPLETE SET

For every interior door handle we have matching hinges, entry door handles, door stoppers and deadbolts.

Halifax Style Lever Set Square Rose



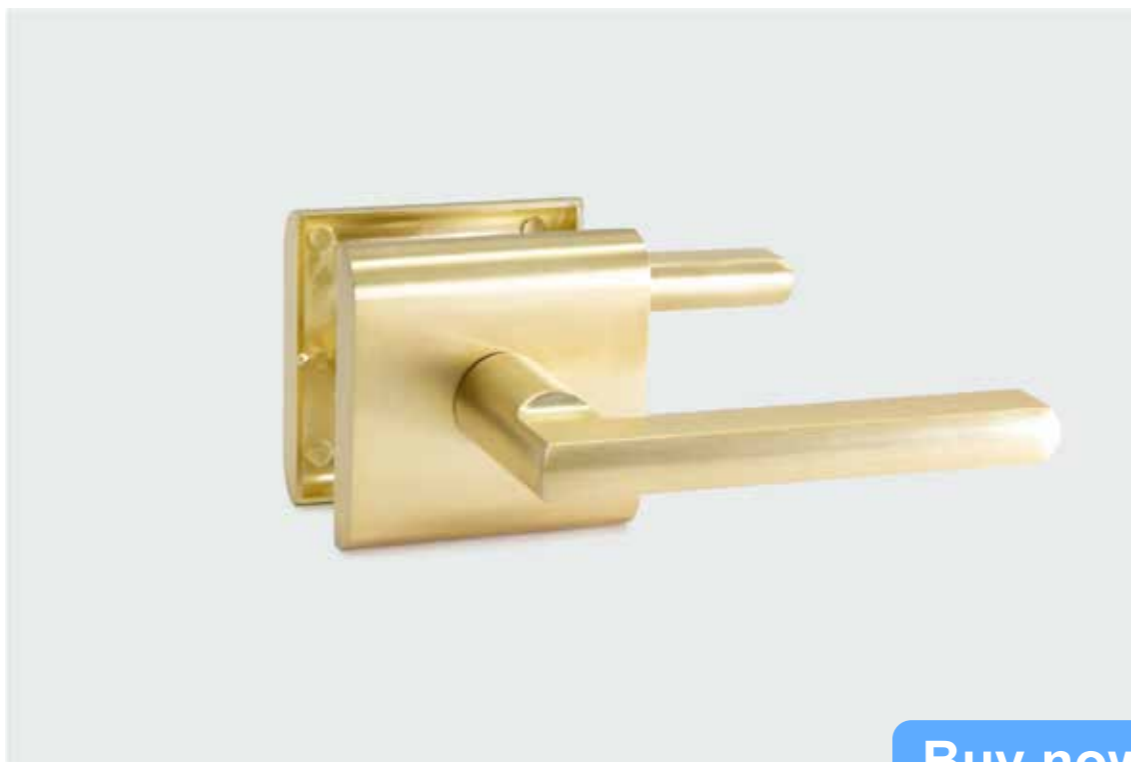
[Buy now](#)



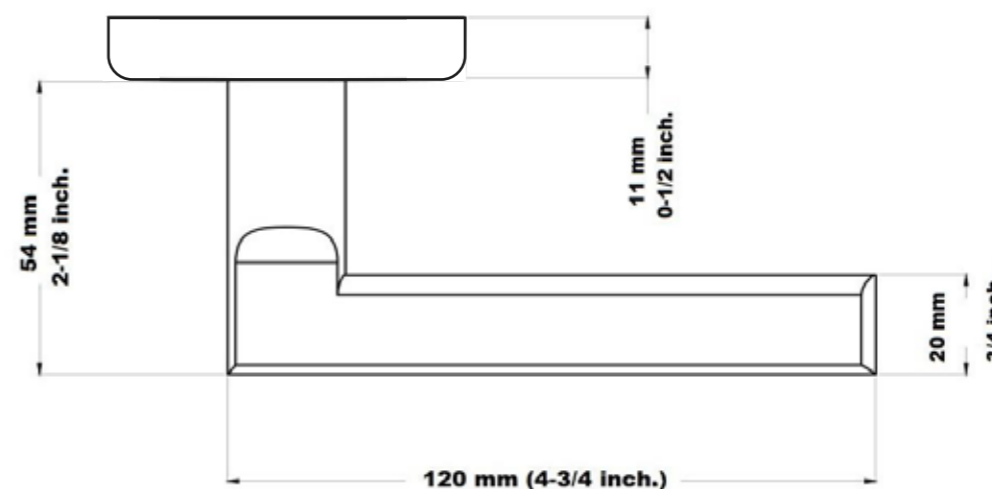
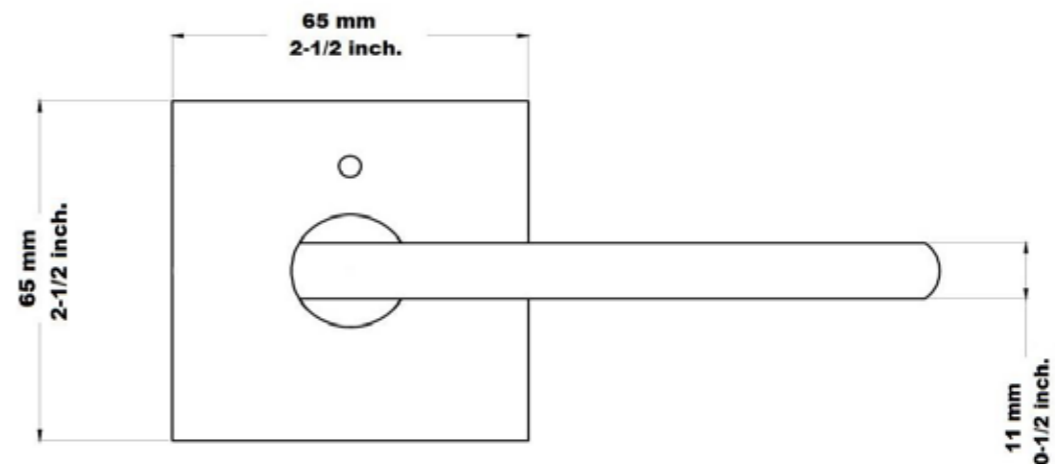
Product Description:

- Square corner rectangular faceplate: 1" x 2-1/4" (25.5mm x 57 mm)
- Bucket: Adjustable 2-3/8" (60mm) to 2-3/4"(70 mm)
- Fits door Thickness: 1-3/8" (35mm) or 1-3/4"(44.5)
- Bore Hole 2-1/8 inch (54 mm)
- Weight: 1.65 lb (750 g)
- Push button locking

Impresa Lever Set Square Rose Satin Brass Gold



[Buy now](#)



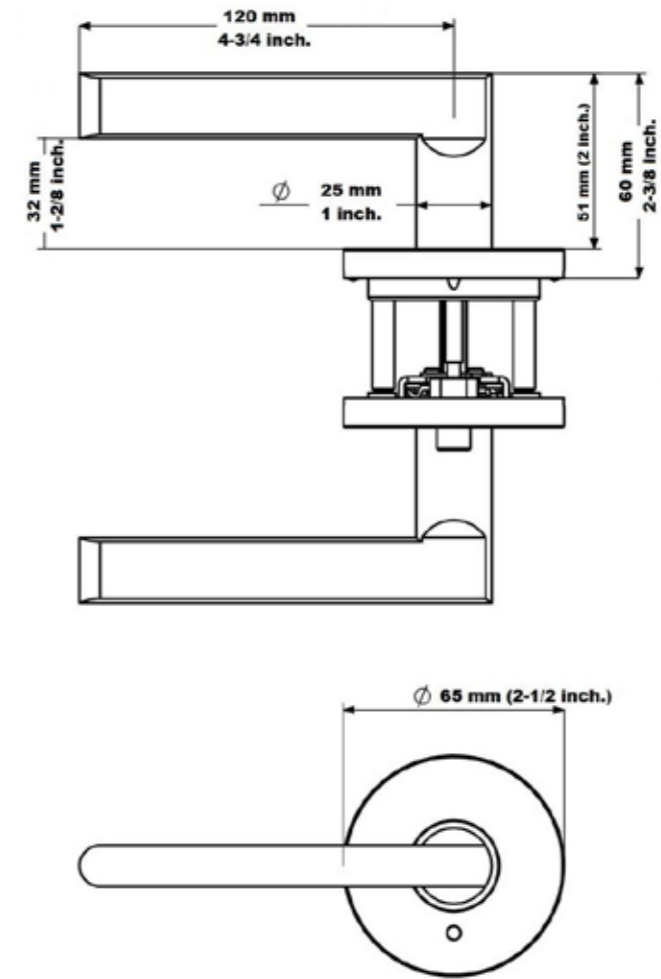
Product Description:

- Square corner rectangular faceplate: 1" x 2-1/4" (25.5mm x 57 mm)
- Bucket: Adjustable 2-3/8" (60mm) to 2-3/4"(70 mm)
- Fits door Thickness: 1-3/8" (35mm) or 1-3/4"(44.5)
- Bore Hole 2-1/8 inch (54 mm)
- Weight: 1.65 lb (750 g)
- Push button locking

Halifax Style Lever Set Round Rose Concealed Screws



[Buy now](#)



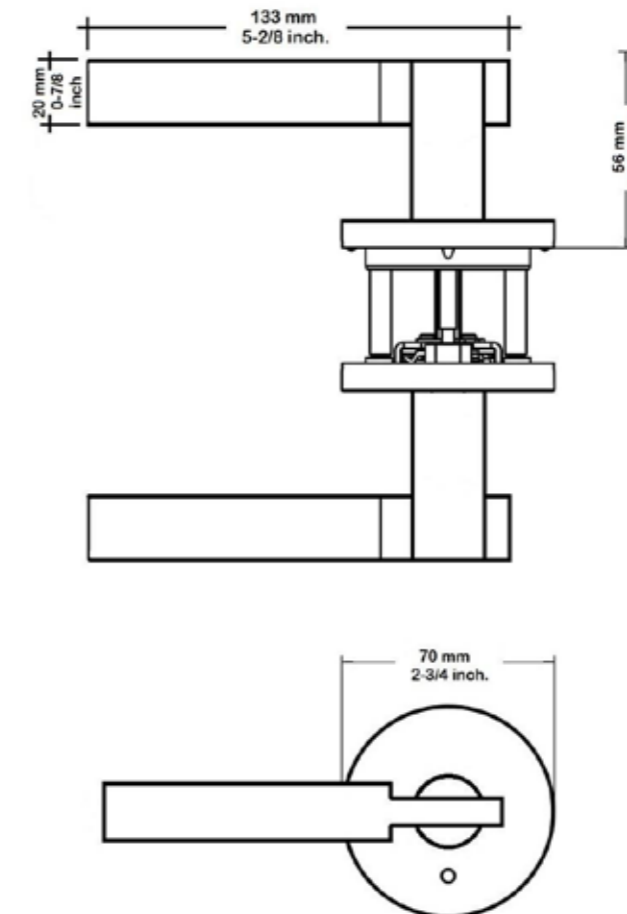
Product Description:

- Square corner rectangular faceplate: 1" x 2-1/4" (25.5mm x 57 mm)
- Bucket: Adjustable 2-3/8" (60mm) to 2-3/4"(70 mm)
- Fits door Thickness: 1-3/8" (35mm) or 1-3/4"(44.5)
- Bore Hole 2-1/8 inch (54 mm)
- Weight: 1.65 lb (750 g)
- Push button locking

Saturn Lever Set Round Rose



[Buy now](#)



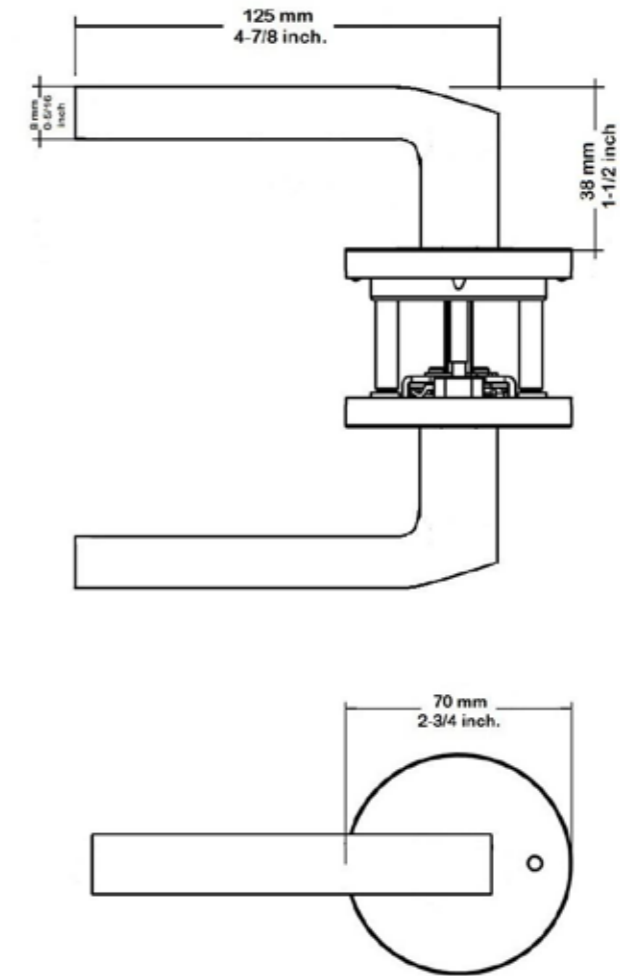
Product Description:

- Square corner rectangular faceplate: 1" x 2-1/4" (25.5mm x 57 mm)
- Bucket: Adjustable 2-3/8" (60mm) to 2-3/4"(70 mm)
- Fits door Thickness: 1-3/8" (35mm) or 1-3/4"(44.5)
- Bore Hole 2-1/8 inch (54 mm)
- Weight: 1.65 lb (750 g)
- Push button locking

Polar Lever Set Round Rose



[Buy now](#)



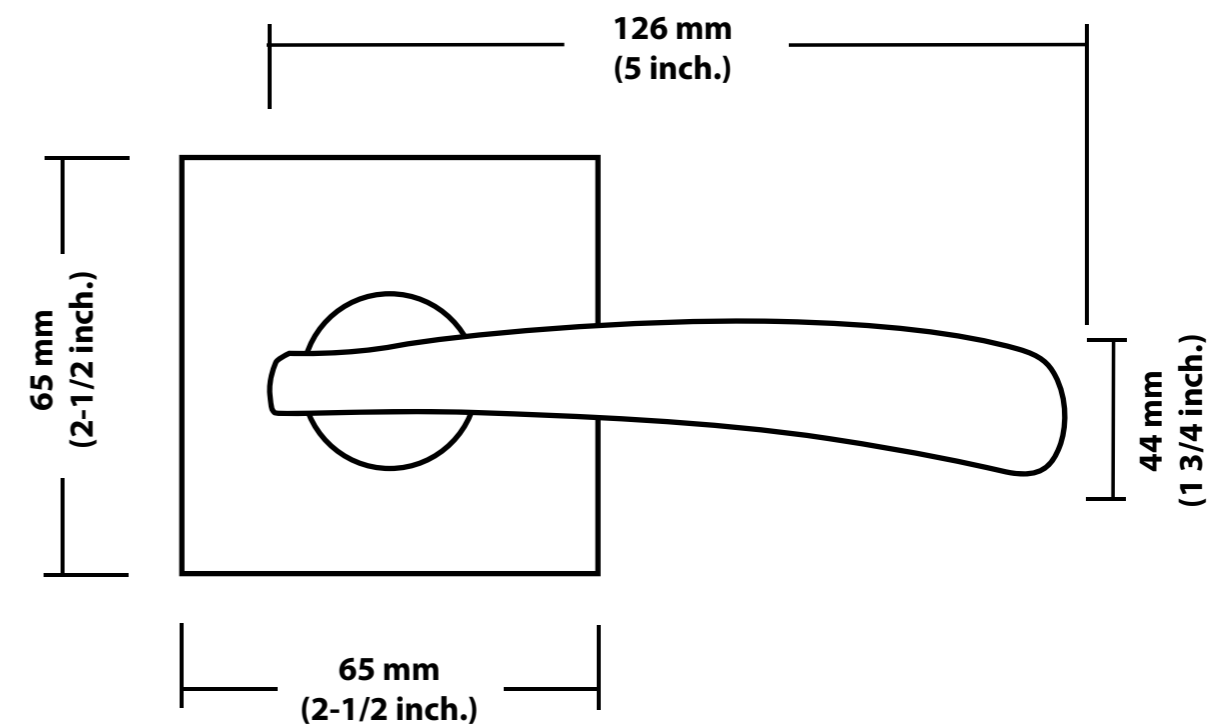
Product Description:

- Square corner rectangular faceplate: 1" x 2-1/4" (25.5mm x 57 mm)
- Backet: Adjustable 2-3/8" (60mm) to 2-3/4"(70 mm)
- Fits door Thickness: 1-3/8" (35mm) or 1-3/4"(44.5)
- Bore Hole 2-1/8 inch (54 mm)
- Weight: 0.88 lb (400 g)
- Push button locking

Accent Lever Set with Push Button



[Buy now](#)



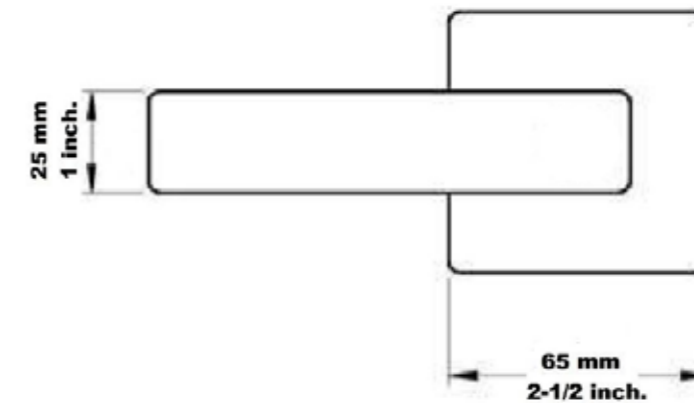
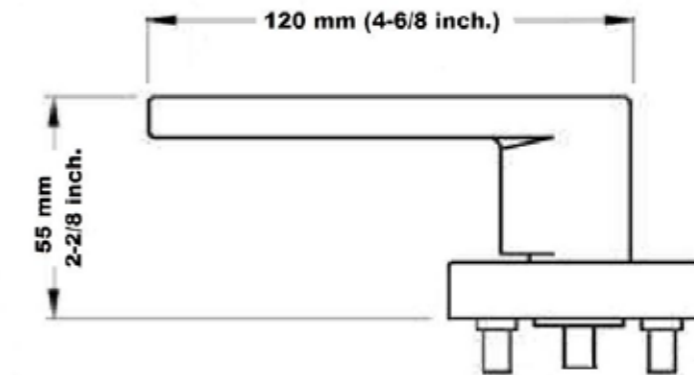
Product Description:

- Square corner rectangular faceplate: 1" x 2-1/4" (25.5mm x 57 mm)
- Bucket: Adjustable 2-3/8" (60mm) to 2-3/4"(70 mm)
- Fits door Thickness: 1-3/8" (35mm) or 1-3/4"(44.5)
- Bore Hole 2-1/8 inch (54 mm)
- Weight: 1.87 lb (850 g.)
- Push button locking

Lisbone Lever Set Square Rose



[Buy now](#)



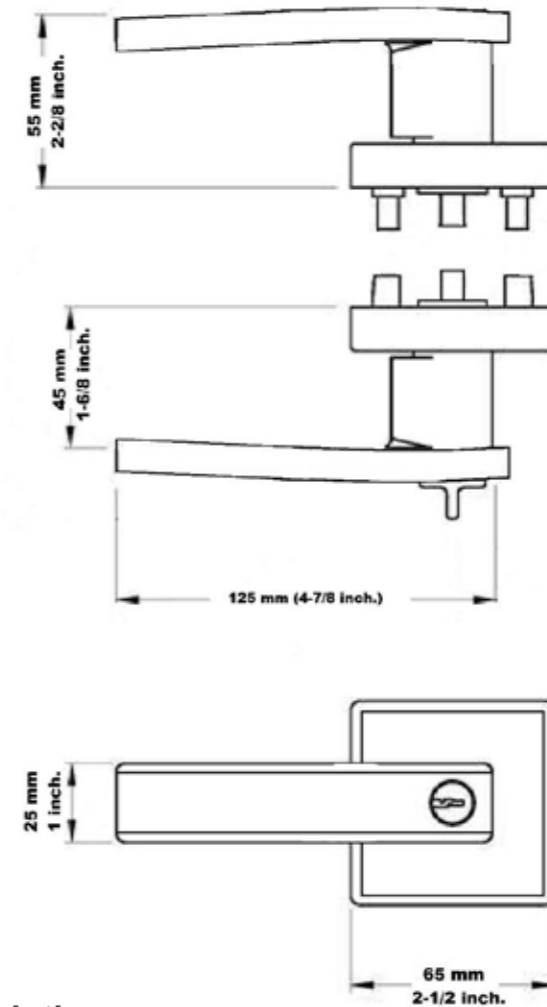
Product Description:

- Square corner rectangular faceplate: 1" x 2-1/4" (25.5mm x 57 mm)
- Bucket: Adjustable 2-3/8" (60mm) to 2-3/4"(70 mm)
- Fits door Thickness: 1-3/8" (35mm) or 1-3/4"(44.5)
- Bore Hole 2-1/8 inch (54 mm)
- Weight: 1.87 lb (850 g.)
- Turn button locking

Holland Lever Set 2 tones Satin Nickel



[Buy now](#)



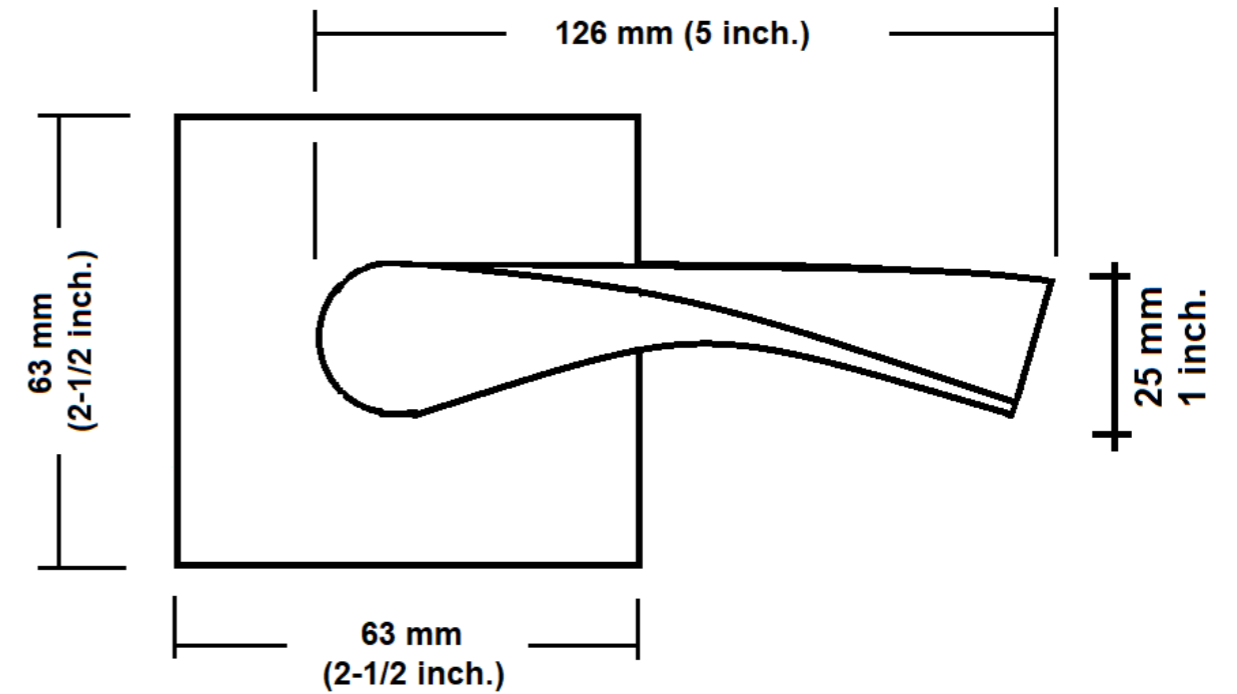
Product Description:

- Square corner rectangular faceplate: 1" x 2-1/4" (25.5mm x 57 mm)
- Bucket: Adjustable 2-3/8" (60mm) to 2-3/4"(70 mm)
- Fits door Thickness: 1-3/8" (35mm) or 1-3/4"(44.5)
- Bore Hole 2-1/8 inch (54 mm)
- Weight: 1.8 lb (820 g.)
- Turn button locking

Breeze Lever Set Square Rose



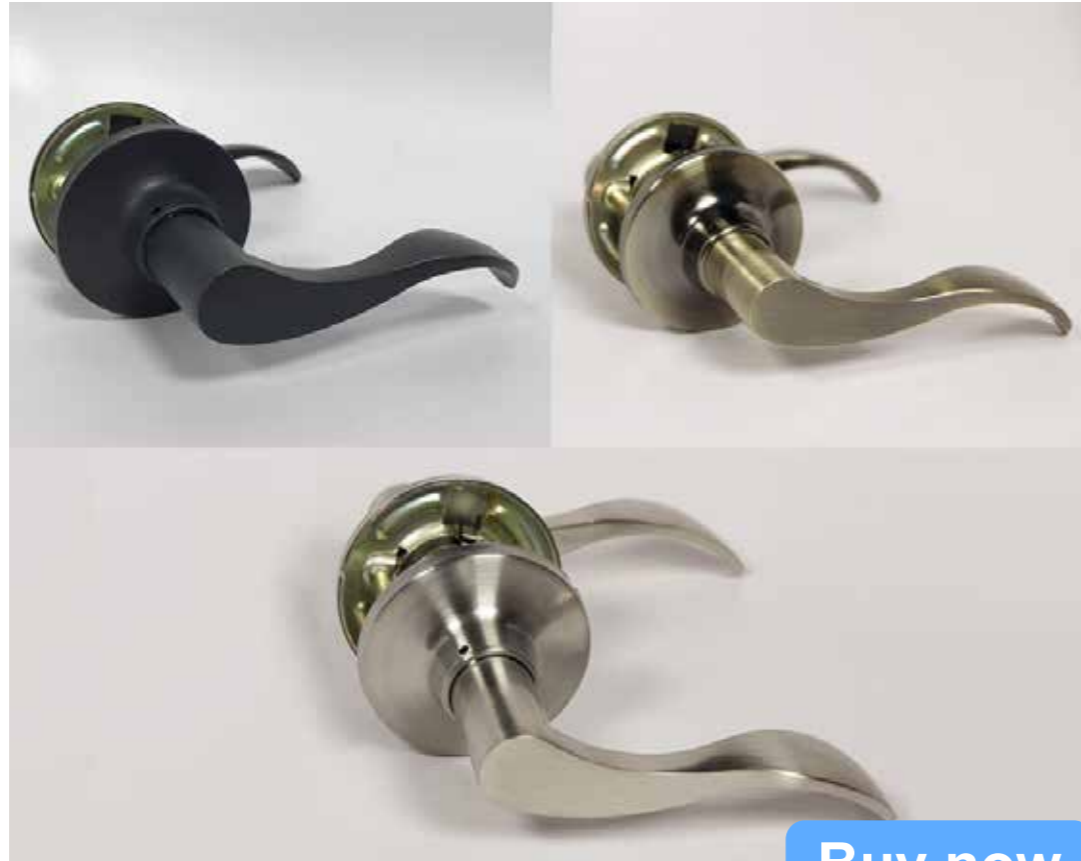
[Buy now](#)



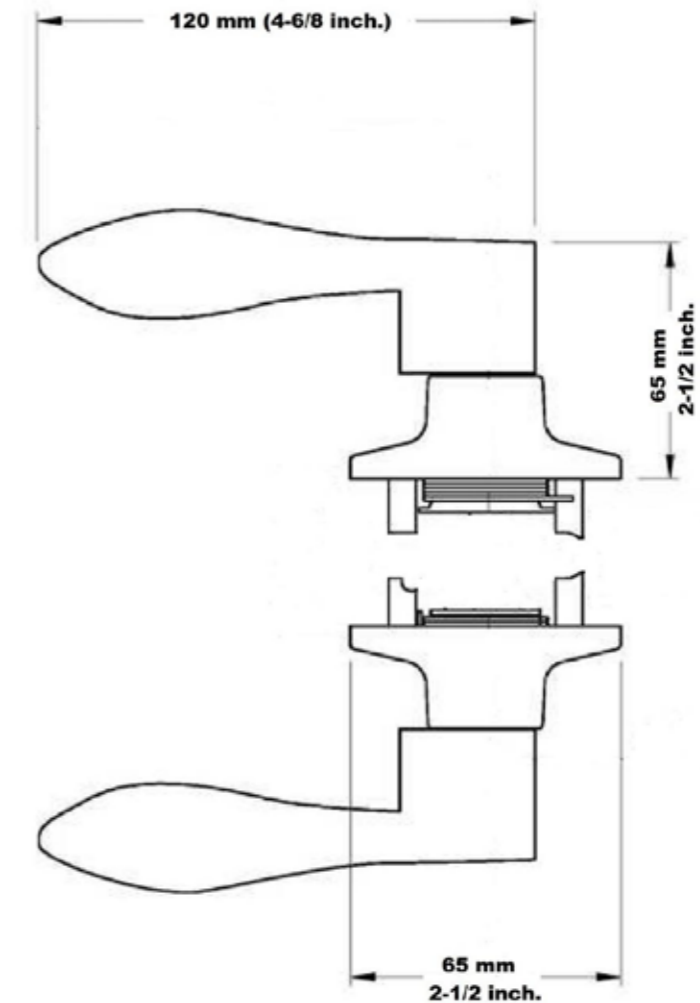
Product Description:

- Square corner rectangular faceplate: 1" x 2-1/4"
- Bucket: Adjustable 2-3/8" (60mm) to 2-3/4"(70 mm) buckets
- Fits door Thickness: 1-3/8" or 1-3/4"
- Bore Hole 2-1/8 inch (54 mm)
- Weight: 1.5 lb (700 g.)
- Push button locking

Classic Reversible Lever Set



[Buy now](#)



Product Description:

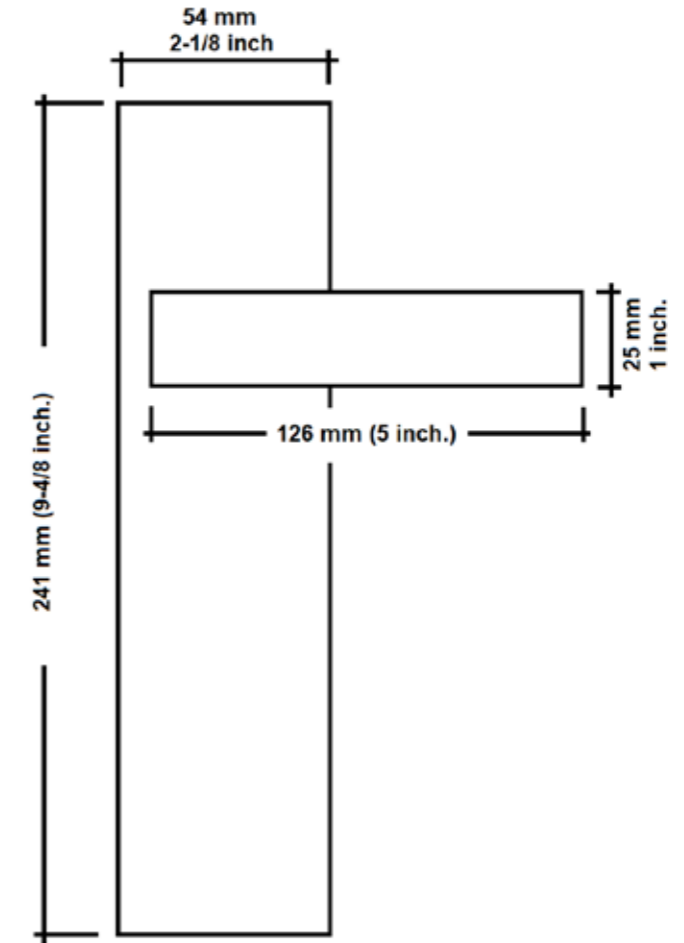
- Square corner rectangular faceplate: 1" x 2-1/4" (25.5mm x 57 mm)
- Bucket: Adjustable 2-3/8" (60mm) to 2-3/4"(70 mm)
- Fits door Thickness: 1-3/8" (35mm) or 1-3/4"(44.5)
- Bore Hole 2-1/8 inch (54 mm)
- Weight: 0.99 lb (450 g)
- Turn button locking

Tokyo Long Backplate Lever Set

NON-BORED DOORS ONLY



[Buy now](#)

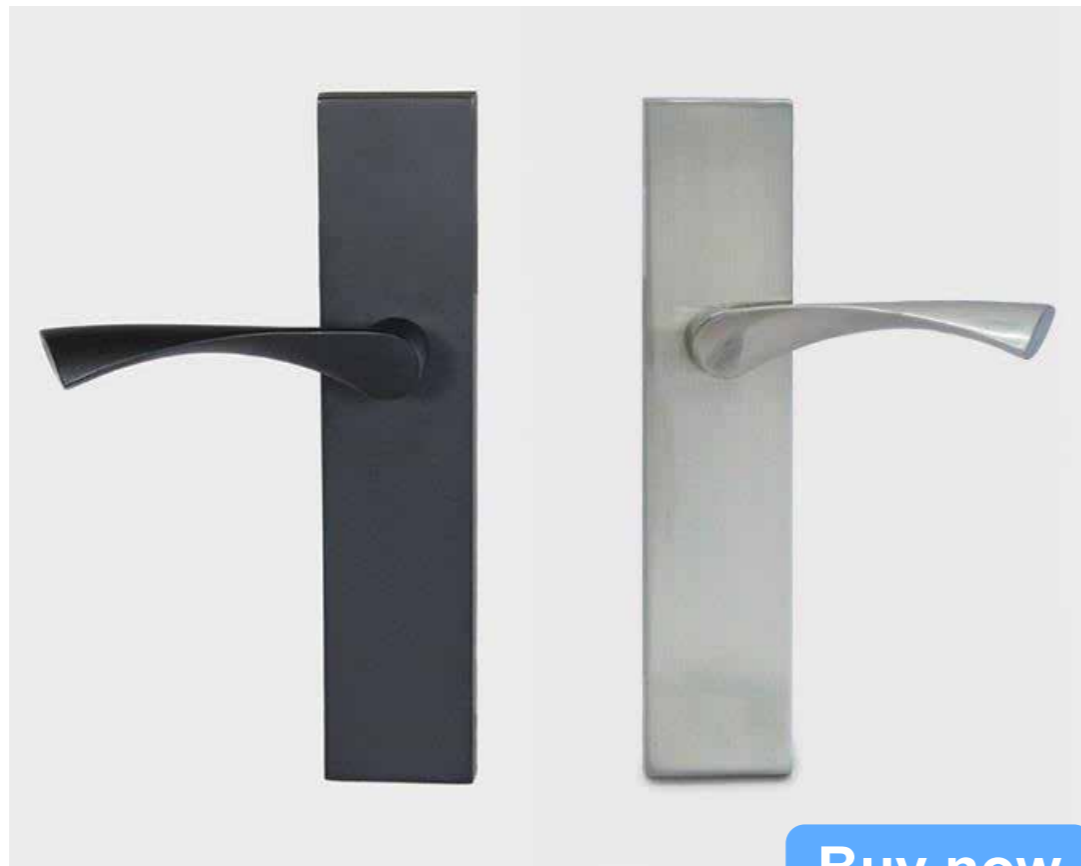


Product Description:

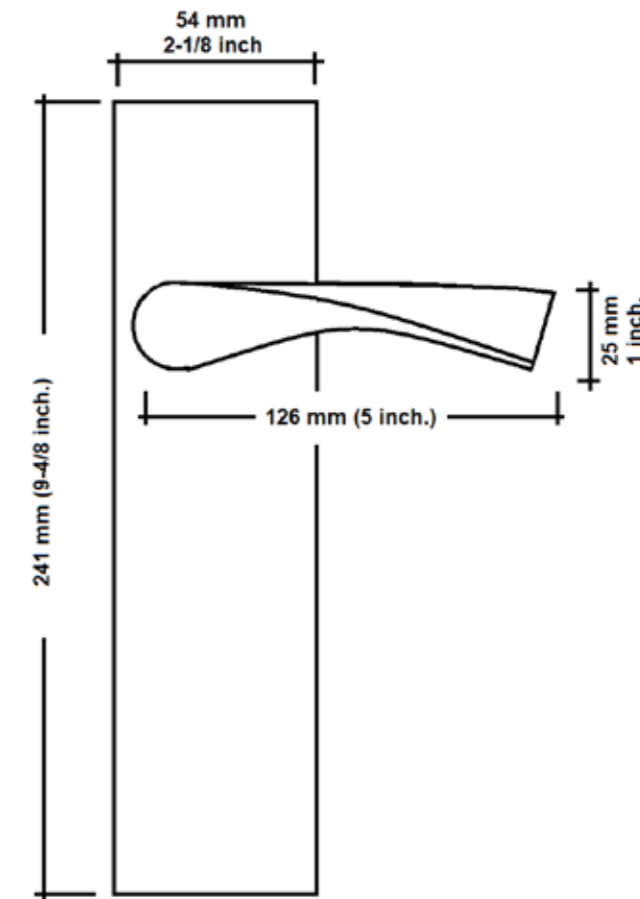
- Square corner rectangular faceplate: 1" x 2-1/4" (25.5mm x 57 mm)
- Bracket: Adjustable 2-3/8" (60mm) to 2-3/4"(70 mm)
- Fits door Thickness: 1-3/8" (35mm) or 1-3/4"(44.5)
- Bore Hole 1-1/2 inch (38 mm)
- Weight: 2.22 lb (1 kg)
- Turn button locking

Breeze Long Backplate Lever Set

NON-BORED DOORS ONLY



[Buy now](#)

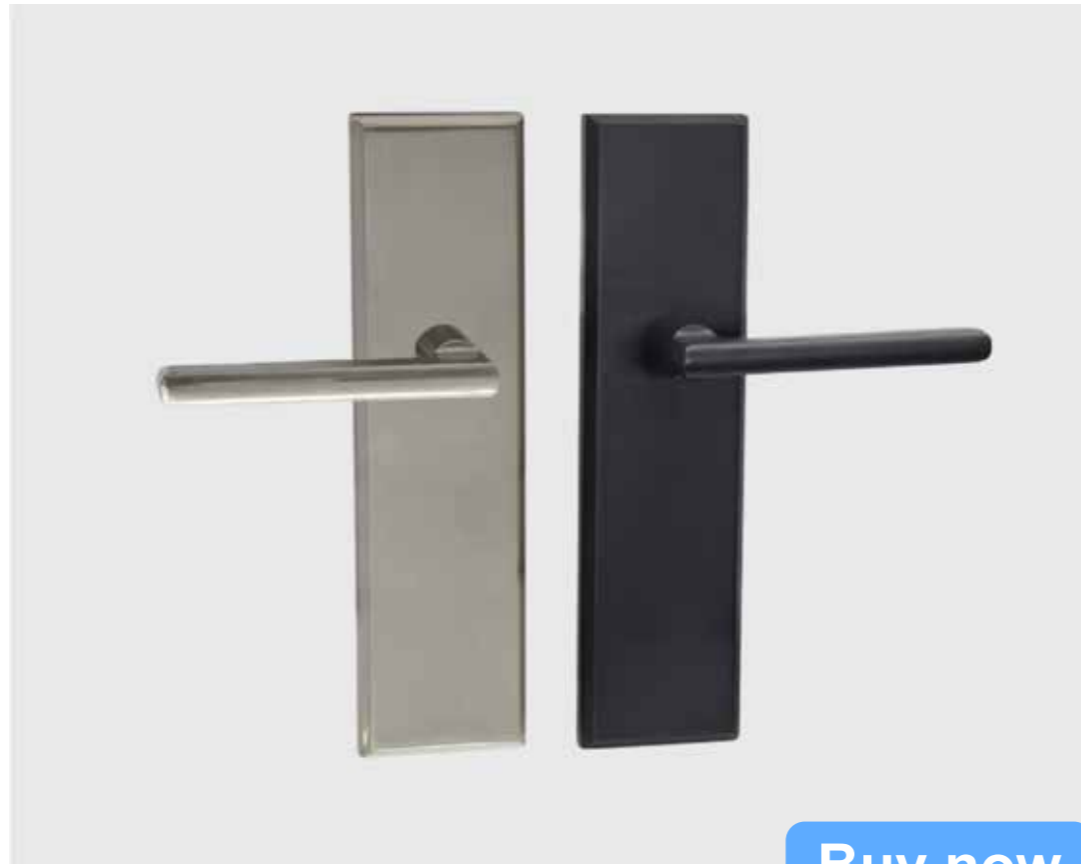


Product Description:

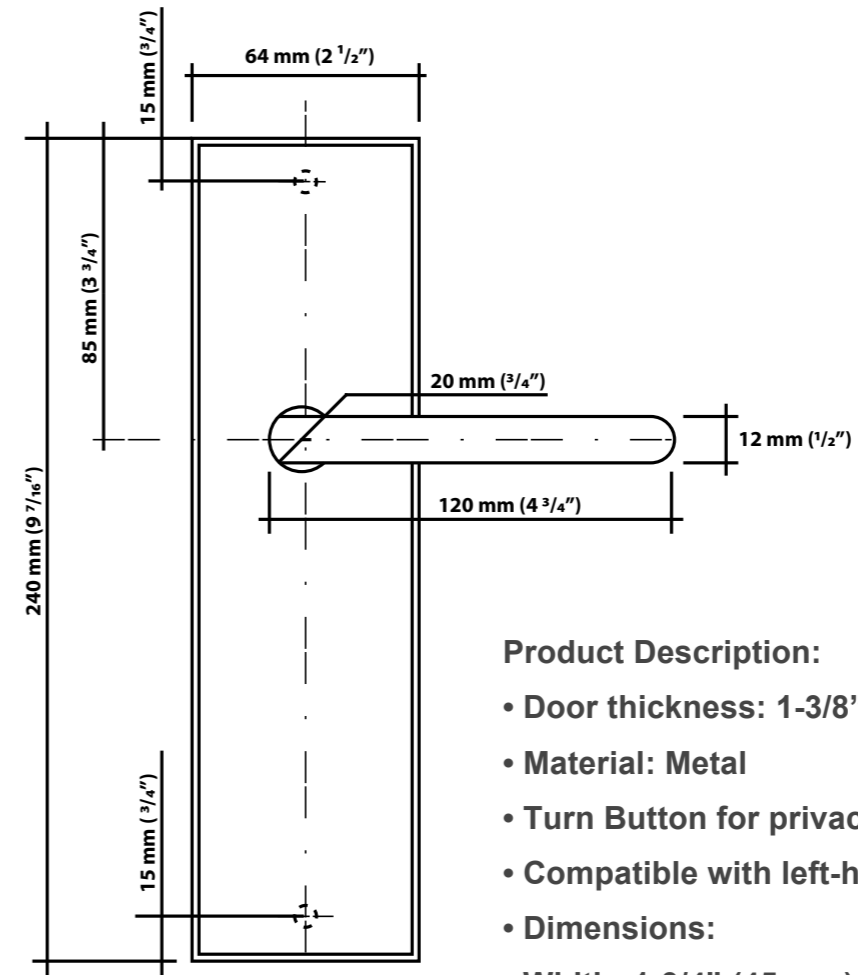
- Square corner rectangular faceplate: 1" x 2-1/4" (25.5mm x 57 mm)
- Bracket: Adjustable 2-3/8" (60mm) to 2-3/4"(70 mm)
- Fits door Thickness: 1-3/8" (35mm) or 1-3/4"(44.5)
- Bore Hole 1-1/2 inch (38 mm)
- Weight: 2.22 lb (1 kg)
- Turn button locking

Halifax Long Backplate Lever Set

Fits Standard Doors Preparations

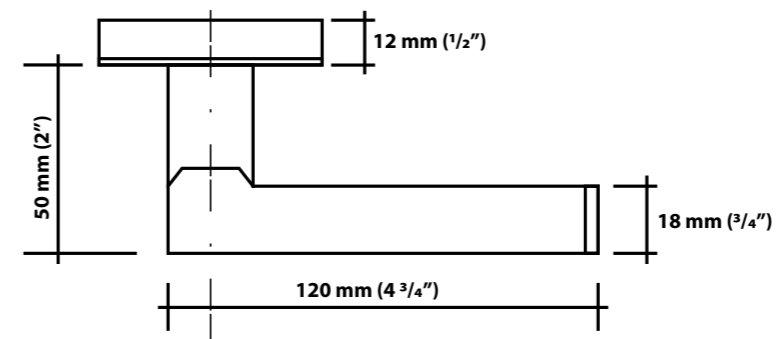


Buy now



Product Description:

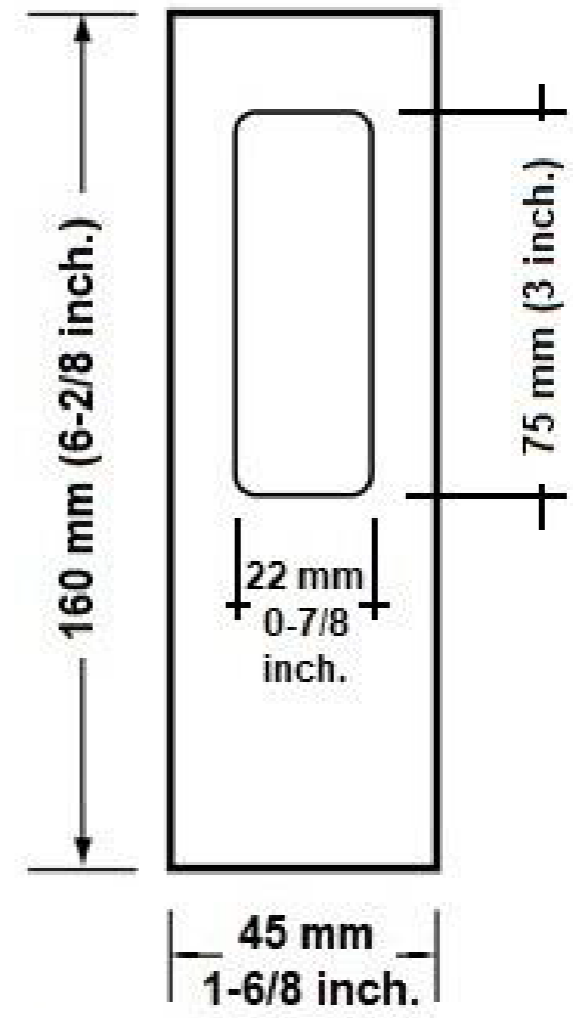
- Door thickness: 1-3/8" to 1-3/4" (35mm to 44.5mm)
- Material: Metal
- Turn Button for privacy lock
- Compatible with left-hand and right-hand doors
- Dimensions:
 - Width: 1-3/4" (45 mm)
 - Height: 6-1/4" (159 mm)



Pocket Door Pull Handle



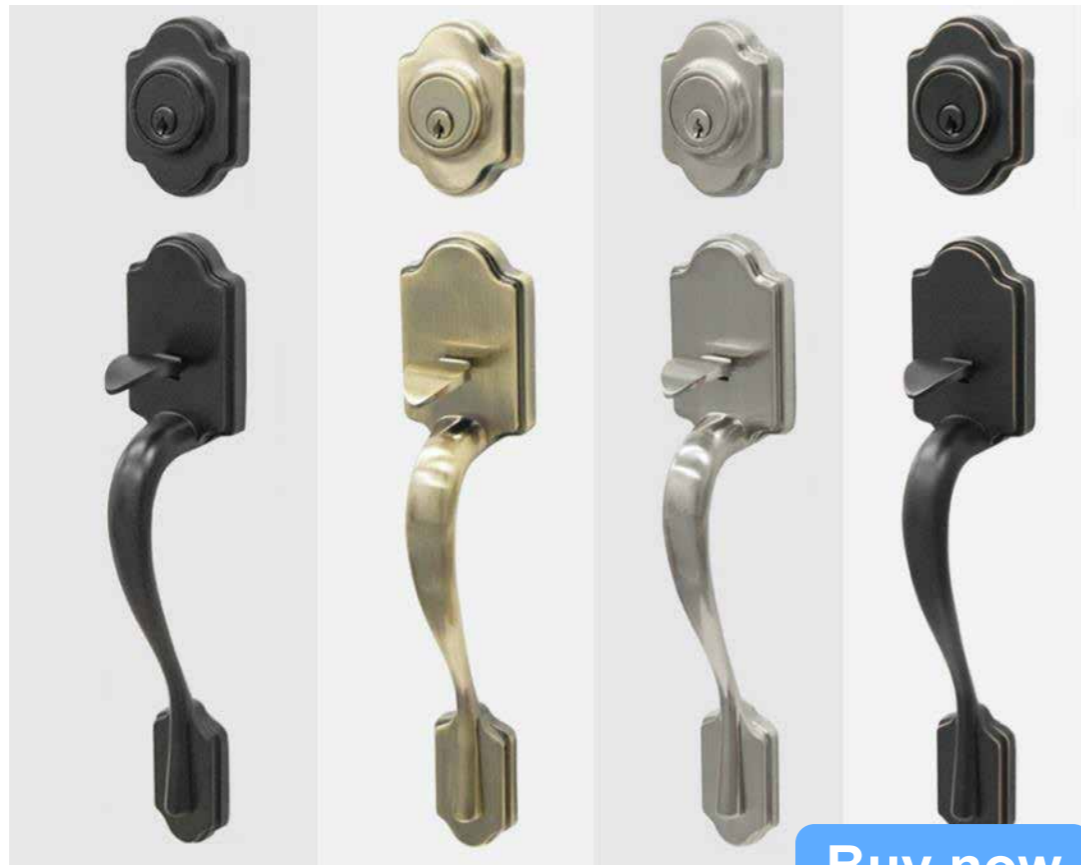
[Buy now](#)



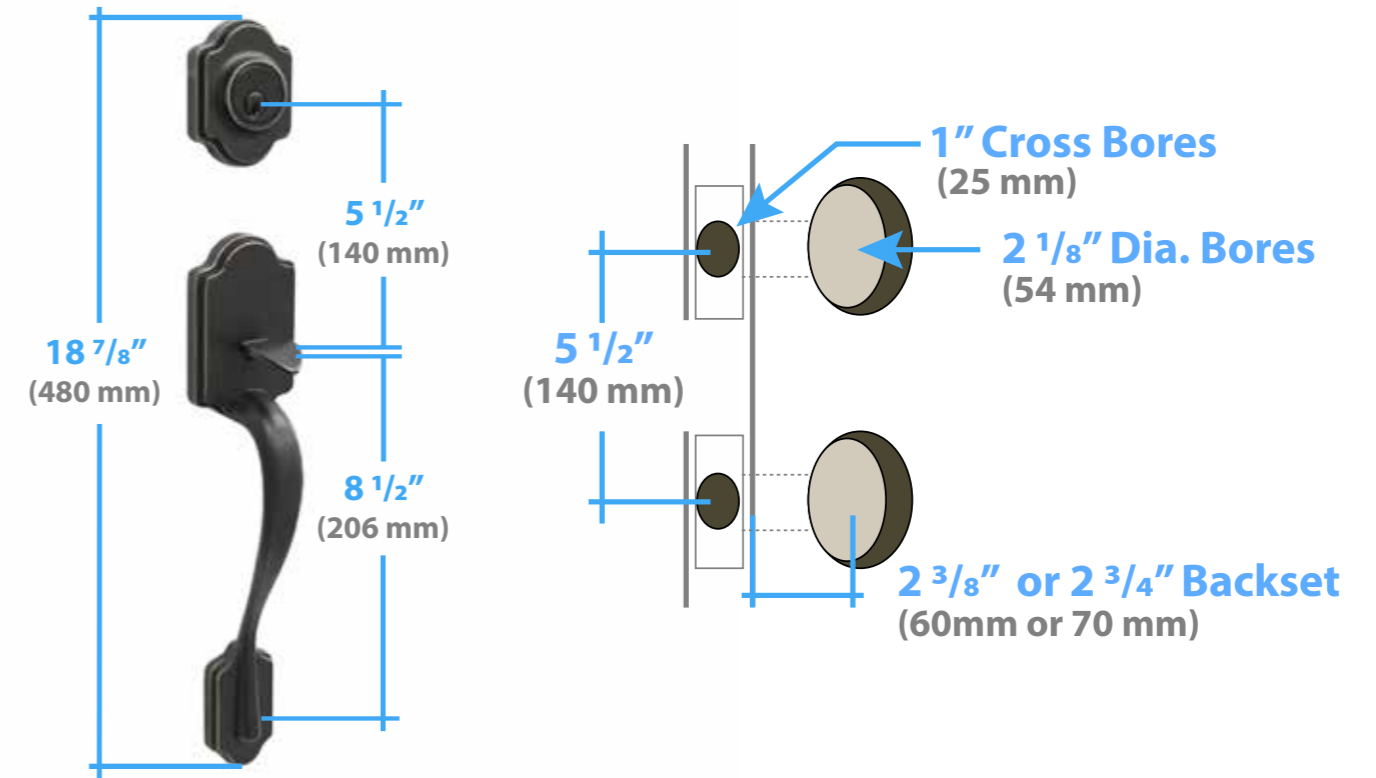
Product Description:

- Mortise Lock for privacy
- Fits door Thickness: 1-3/8" (35mm) or 1-3/4"(44.5)
- Turn button locking

Arlington Residential Single Cylinder Entry Door Handleset with Interior Lever



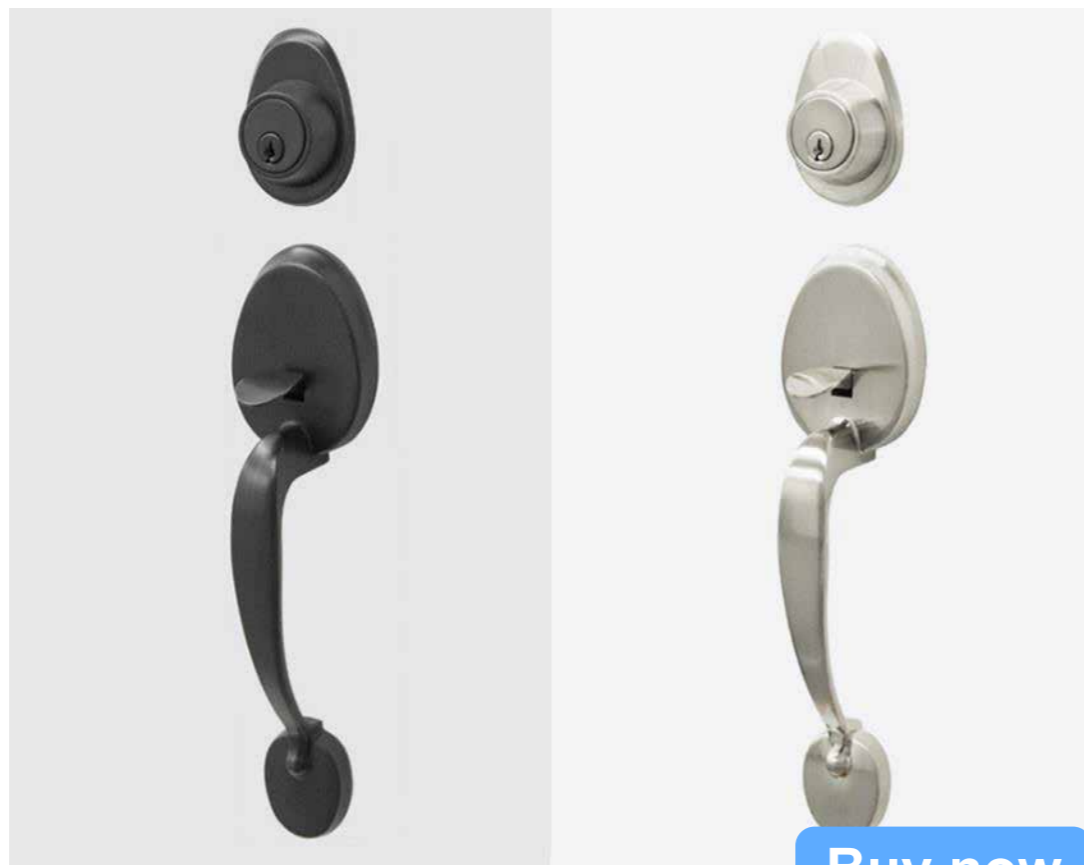
[Buy now](#)



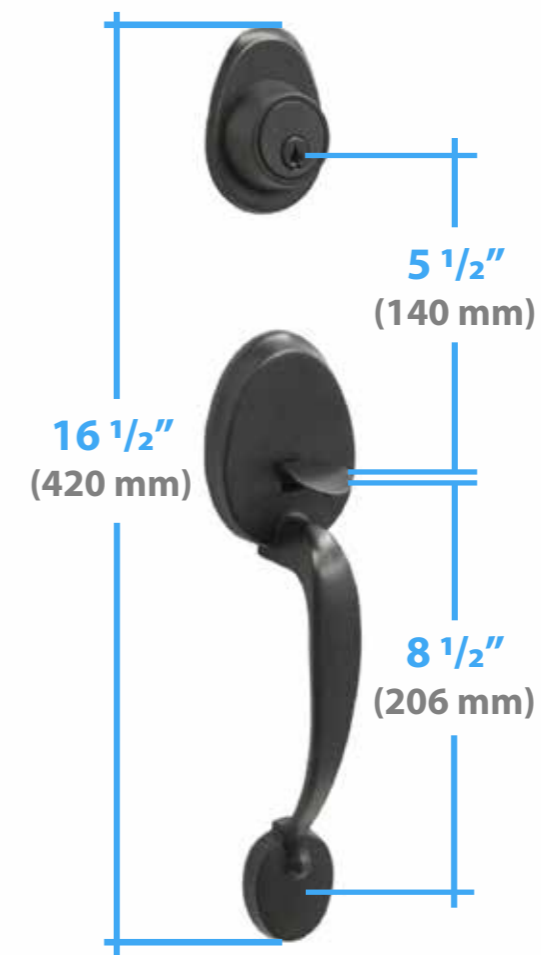
Product Description:

- Door thickness: 1-38" to 1-3/4" (35mm to 44.5mm)
- Fits Standard door prep of 2-1/8 bore holes at 5-1/2" center-to-center
- Made of solid zinc-based sandcast metal alloy
- Latch is adjustable: 2-3/8"(60mm) - 2-3/4"(70mm)
- Locking mechanism: tubular lock
- Security Grade: Grade 2
- 2 Keys, mounting hardware, strike plates are included

Chelsea Residential Single Cylinder Entry Door Handleset



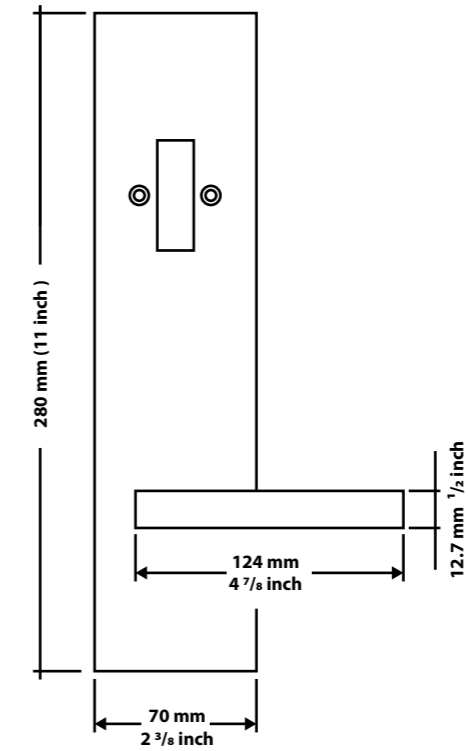
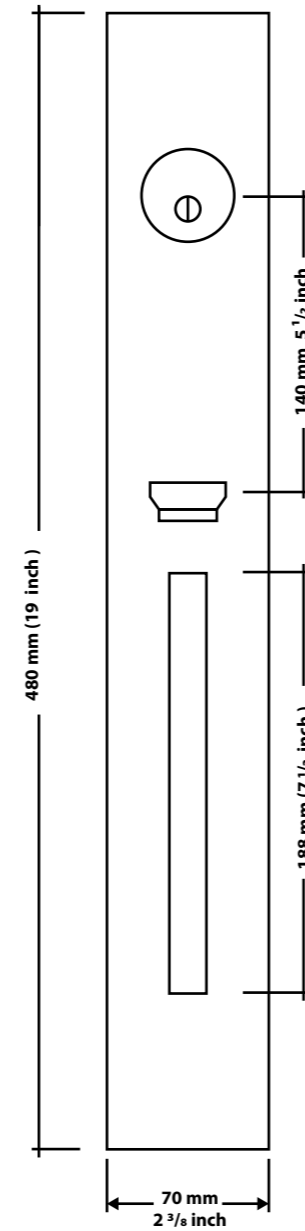
[Buy now](#)



Product Description:

- Door thickness: 1-3/8" to 1-3/4" (35mm to 44.5mm)
- Fits Standard door prep of 2-1/8" bore holes at 5-1/2" center-to-center
- Made of solid zinc-based sandcast metal alloy
- Latch is adjustable: 2-3/8"(60mm) - 2-3/4"(70mm)
- Locking mechanism: tubular lock
- Security Grade: Grade 2
- 2 Keys, mounting hardware, strike plates are included

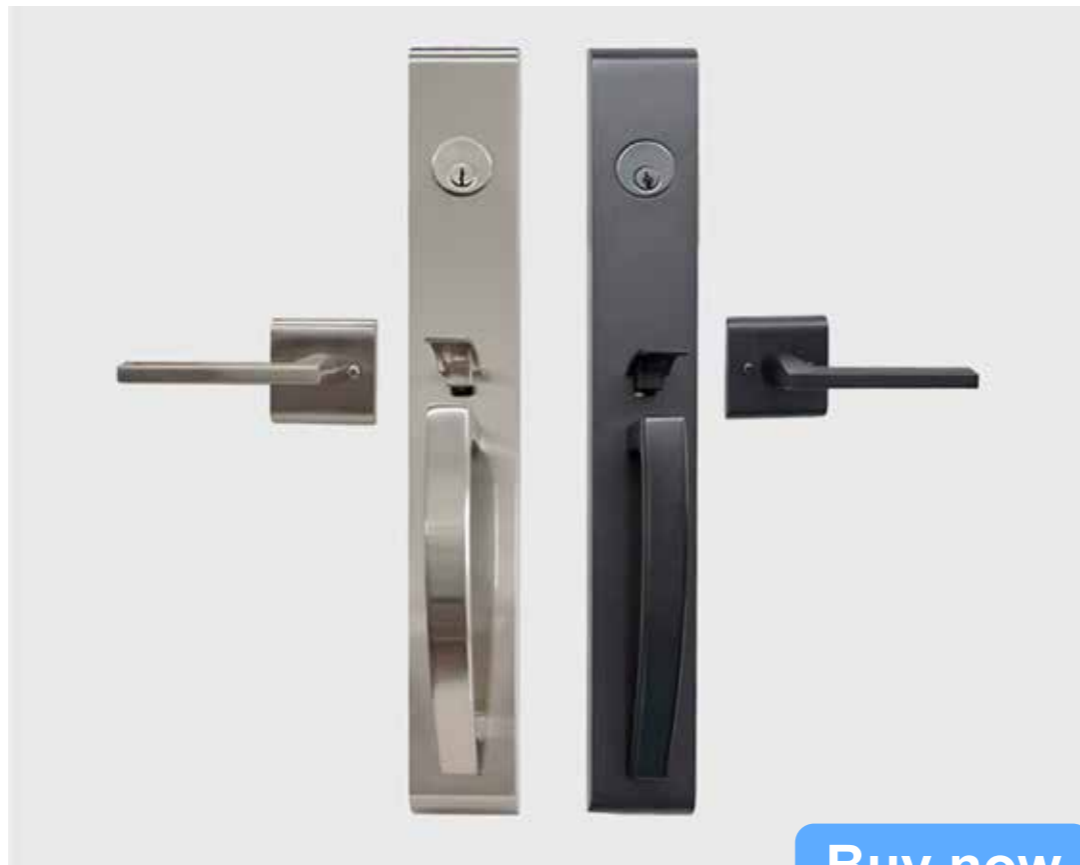
Lakeshore Full Plate Tubular Handleset with Interior Long Backplate & Lever



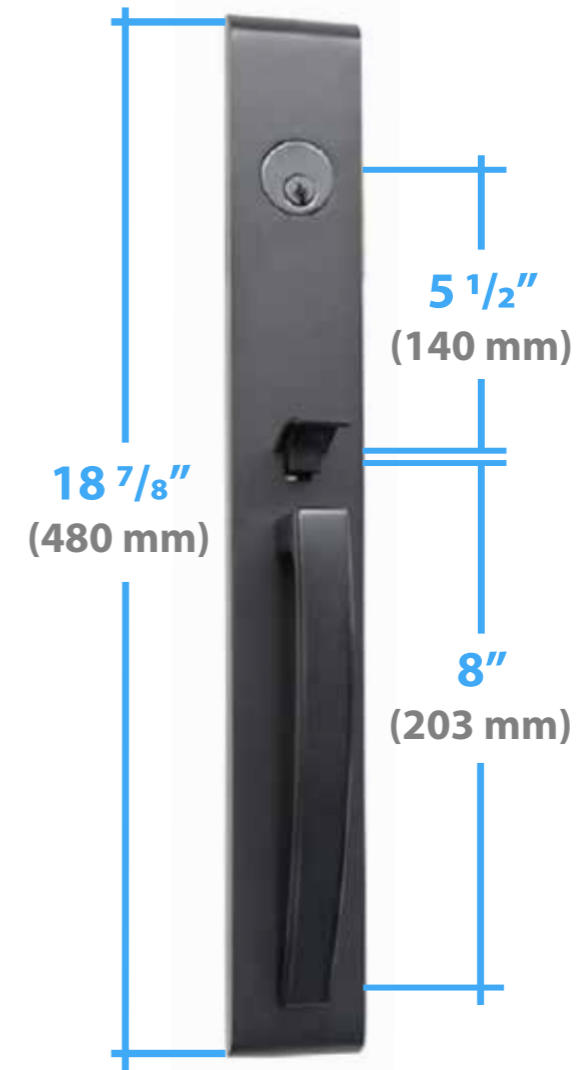
Product Description:

- Fits standard door prep.
- Door Thickness: 1-3/8" to 1-3/4" (35mm - 44.5mm)
- Latch is adjustable: 2-3/8"(60mm) – 2-3/4"(70mm)
- Locking mechanism: tubular lock
- 2 Keys, mounting hardware, strike plates are included

Orion Full Plate Entry Handleset with Inner Lever



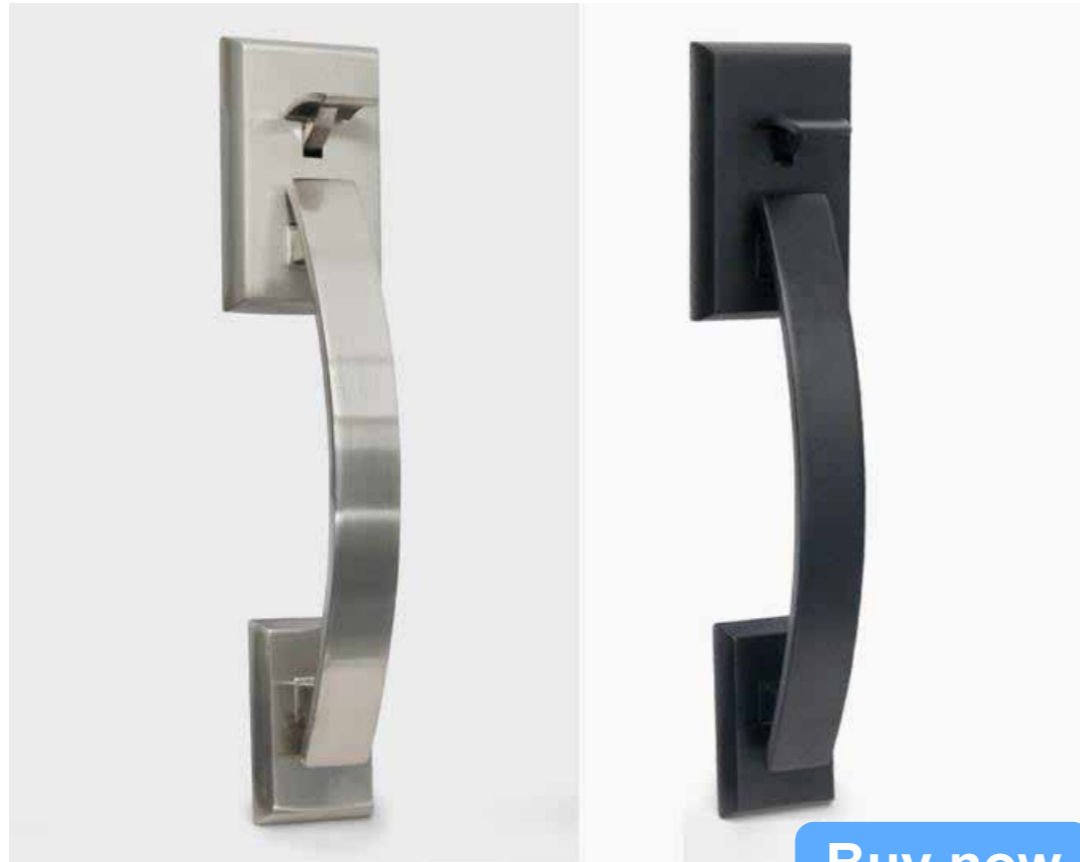
[Buy now](#)



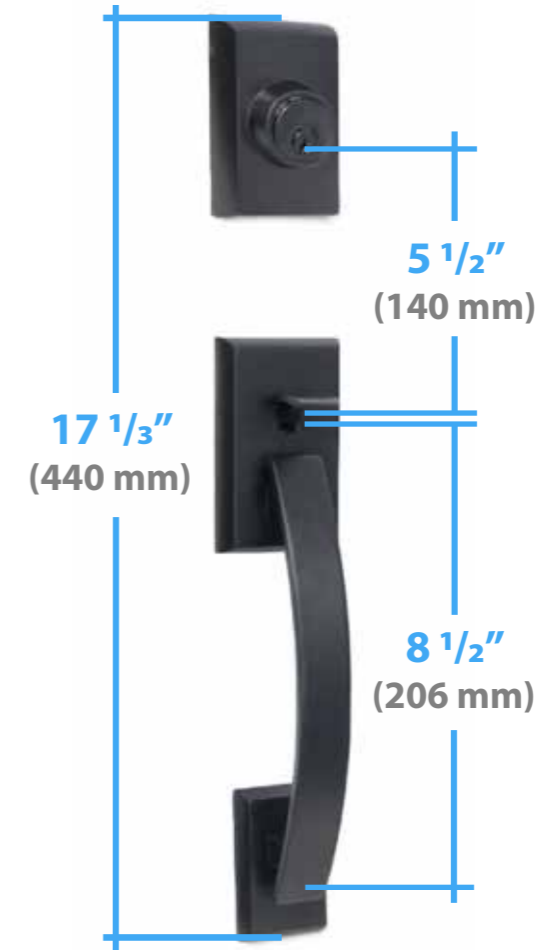
Product Description:

- Door thickness: 1-3/8" to 1-3/4" (35mm to 44.5mm)
- Fits standard door prep of 2-1/8" bore holes at 5-1/2" center-to-center
- Latch is adjustable: 2-3/8"(60mm) – 2-3/4"(70mm)
- Locking mechanism: tubular lock
- 2 Keys, mounting hardware, strike plates are included

Tavaris Residential Single Cylinder Entry Door Handleset



[Buy now](#)



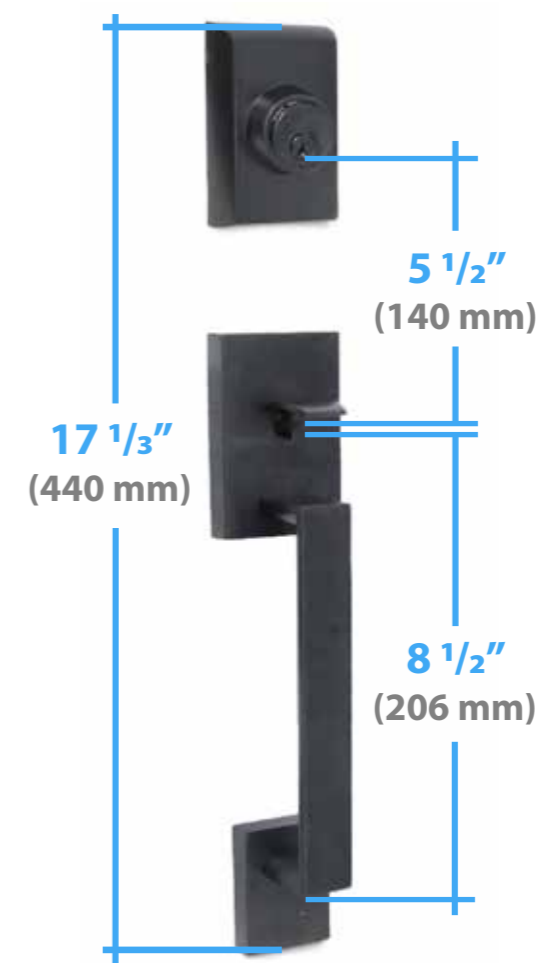
Product Description:

- Door thickness: 1-3/8" to 1-3/4" (35mm to 44.5mm)
- Fits Standard door prep of 2-1/8" bore holes at 5-1/2" center-to-center
- Made of solid zinc-based sandcast metal alloy
- Latch is adjustable: 2-3/8"(60mm) - 2-3/4"(70mm)
- Locking mechanism: tubular lock
- Security Grade: Grade 2
- 2 Keys, mounting hardware, strike plates are included
- Inner handle: straight lever

Century Residential Single Cylinder Entry Door Handleset



[Buy now](#)



Product Description:

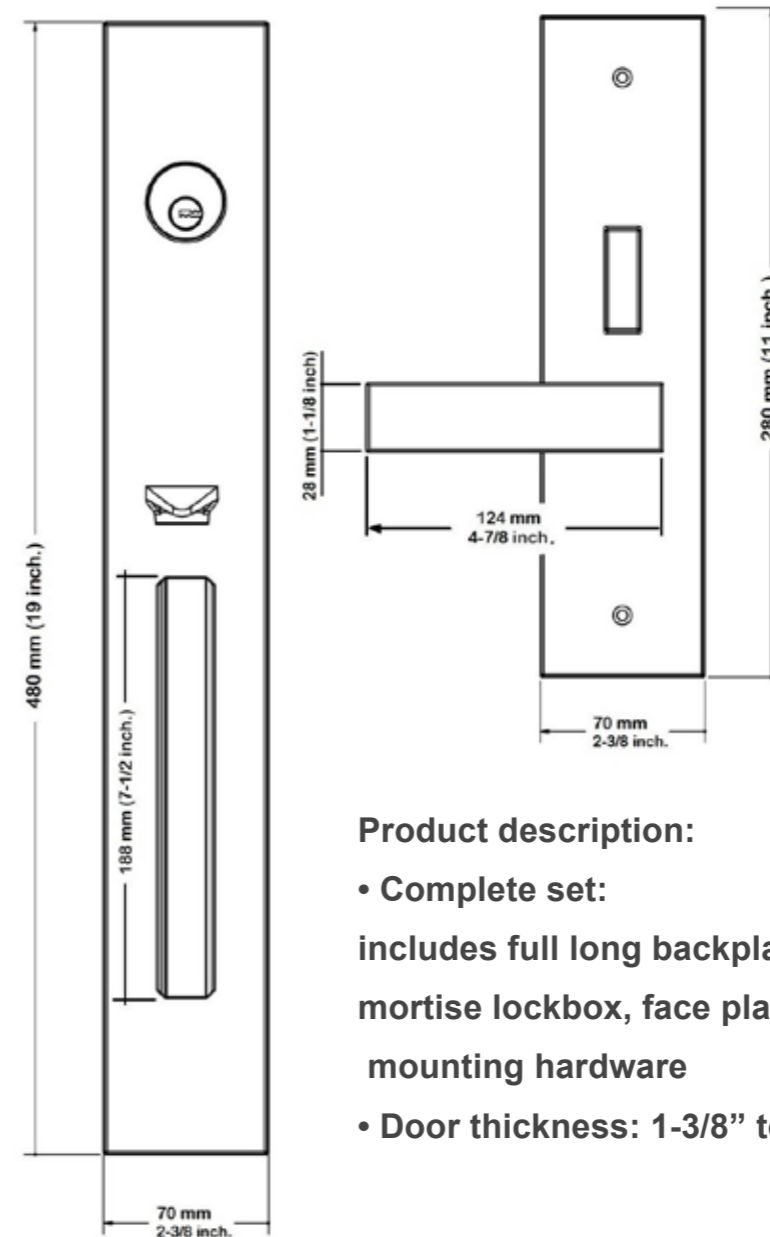
- Door thickness: 1-3/8" to 1-3/4" (35mm to 44.5mm)
- Fits Standard door prep of 2-1/8" bore holes at 5-1/2" center-to-center
- Made of solid zinc-based sandcast metal alloy
- Latch is adjustable: 2-3/8" (60mm) - 2-3/4" (70mm)
- Locking mechanism: tubular lock
- Security Grade: Grade 2
- 2 Keys, mounting hardware, strike plates are included

Lugano Full Plate Entry Mortise Handleset with Interior Lever Standard Mortise Lock Door Preparation

NON-BORED DOORS ONLY



Buy now



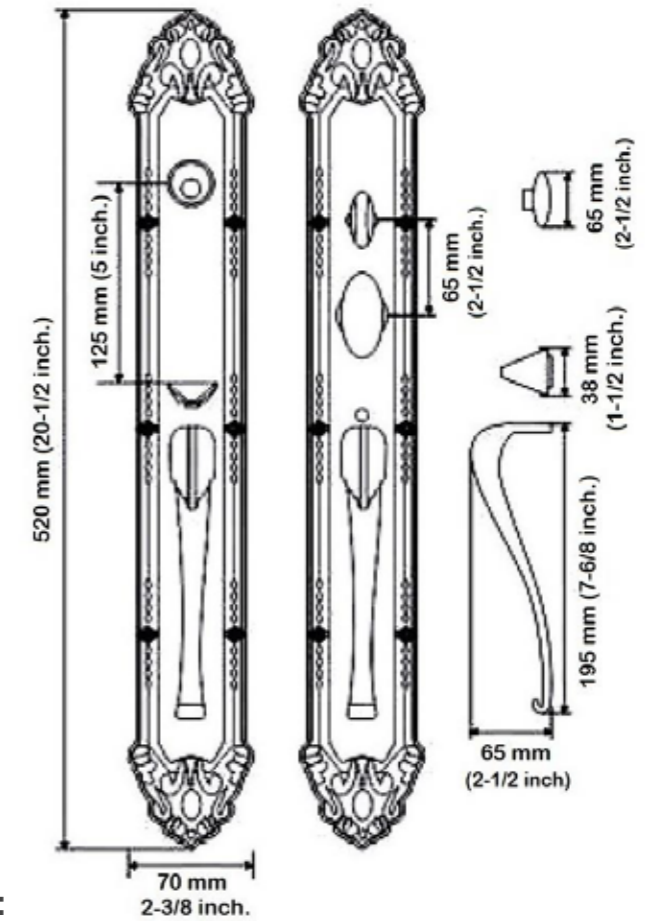
Product description:

- Complete set:
includes full long backplate trim on exterior and interior,
mortise lockbox, face plate, strike plate for door jamb,
mounting hardware
- Door thickness: 1-3/8" to 1-3/4" (35mm to 44.5mm)

**Luxury Full Plate Entry Mortise Handleset
with Interior Knob (egg shape)
Standard Mortise Lock Door Preparation
NON-BORED DOORS ONLY**



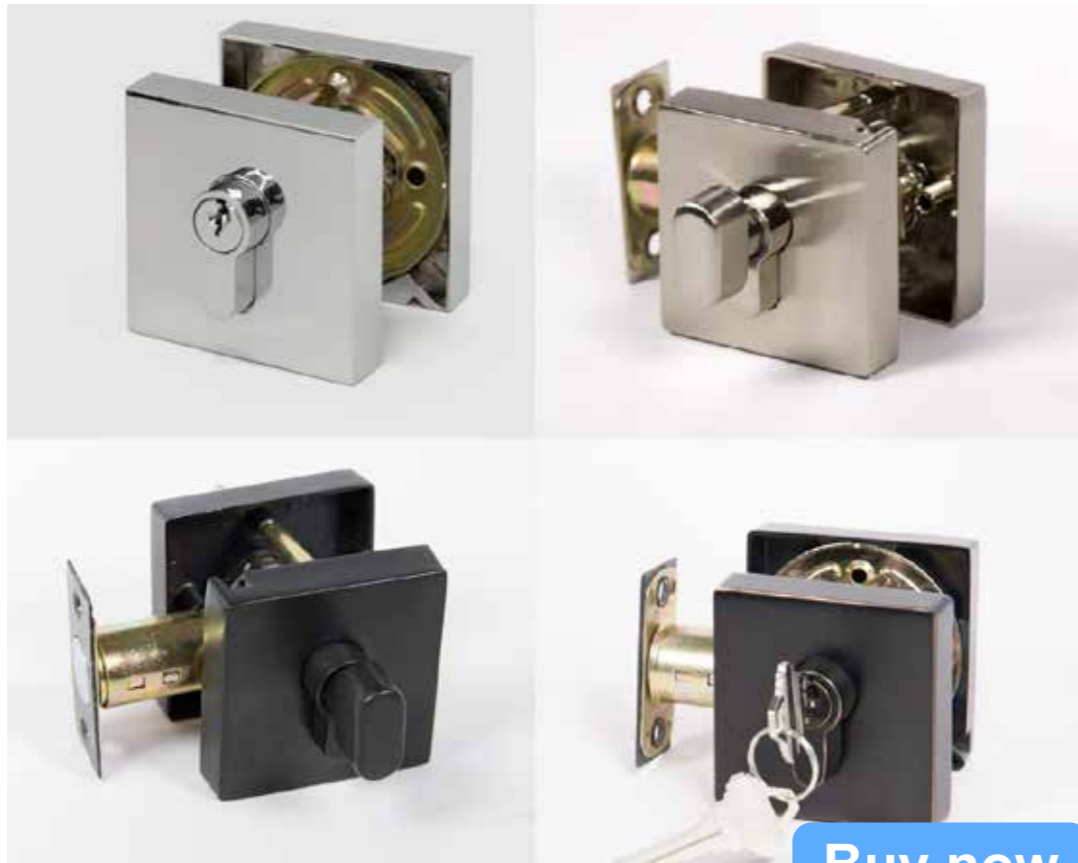
[Buy now](#)



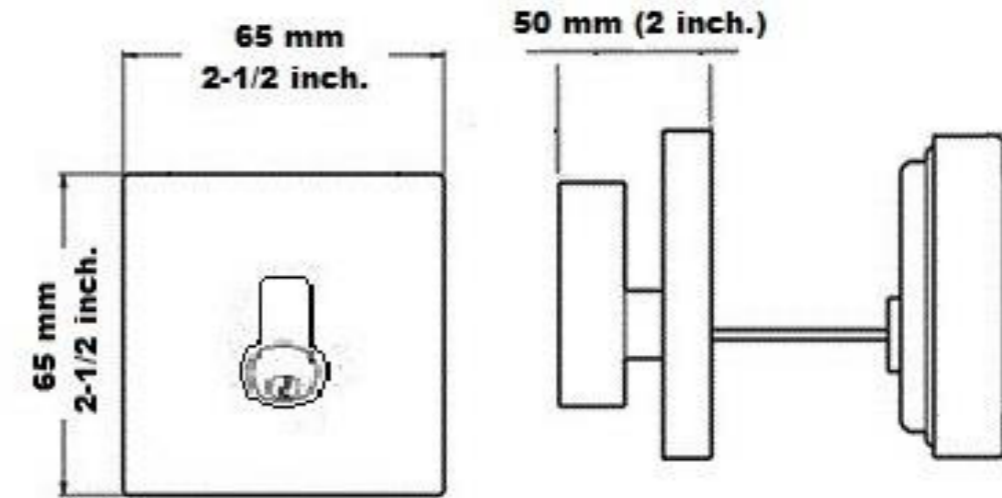
Product description:

- Complete set:
includes full long backplate trim on exterior and interior,
mortise lockbox, face plate, strike plate for door jamb,
mounting hardware
- Door thickness: 1-3/8" to 1-3/4" (35mm to 44.5mm)

Modern Residential Single Cylinder Square Deadbolt



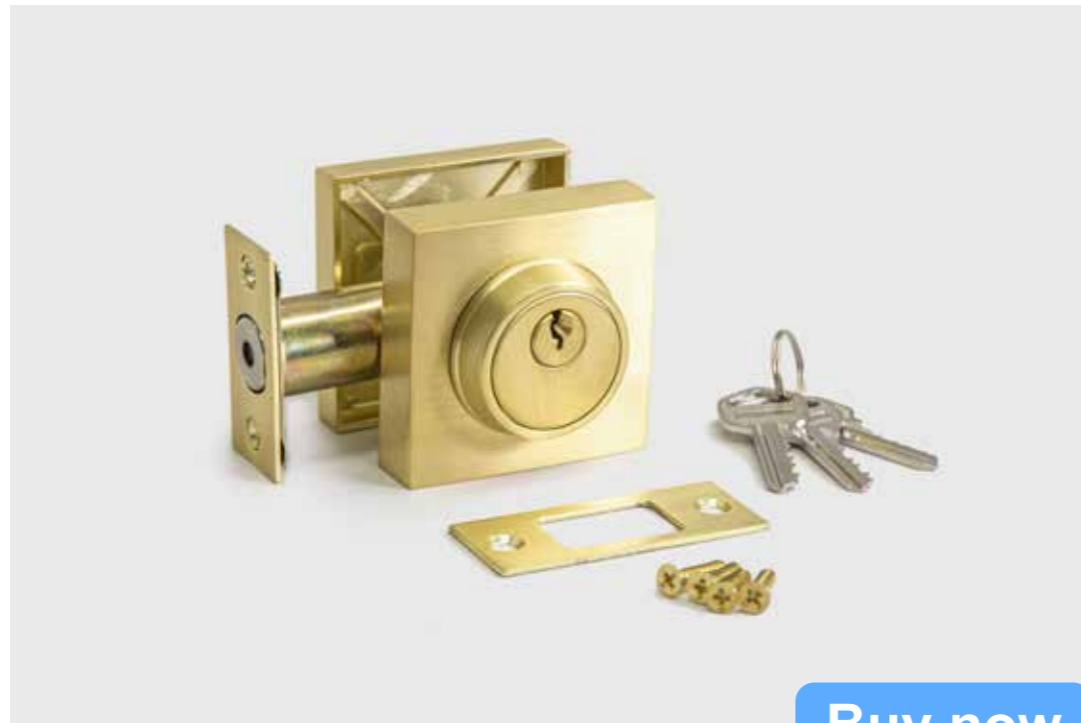
[Buy now](#)



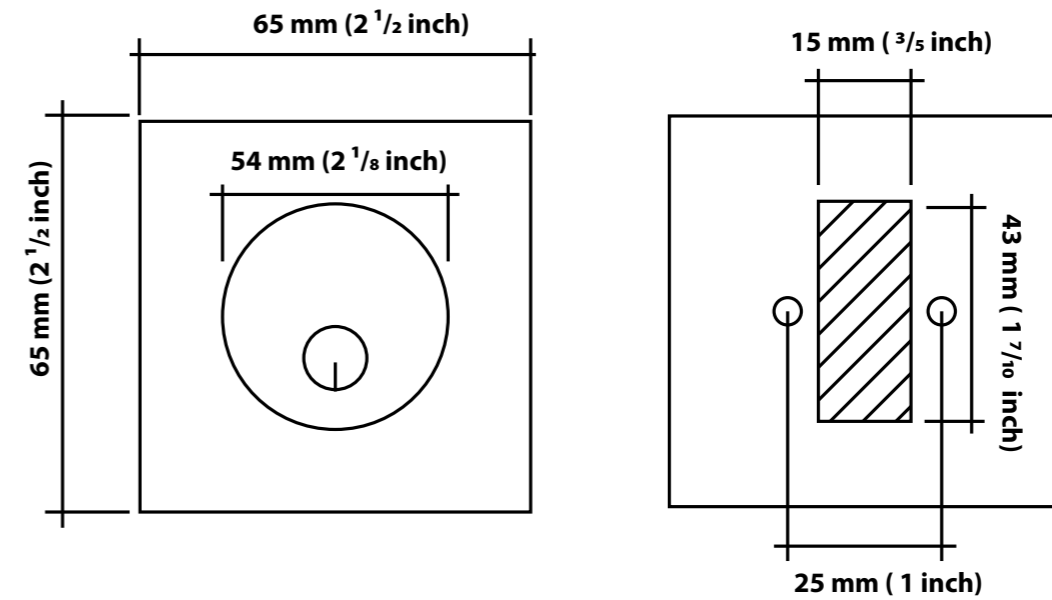
Product description:

- **Bucket:** Adjustable 2-3/8" (60mm) to 2-3/4"(70 mm)
- **Door thickness:** 1-3/8" to 1-3/4" (35mm to 44.5mm)
- **Deadbolt type:** Single cylinder

Modern Residential Single cylinder Square Deadbolt Satin Gold Brass



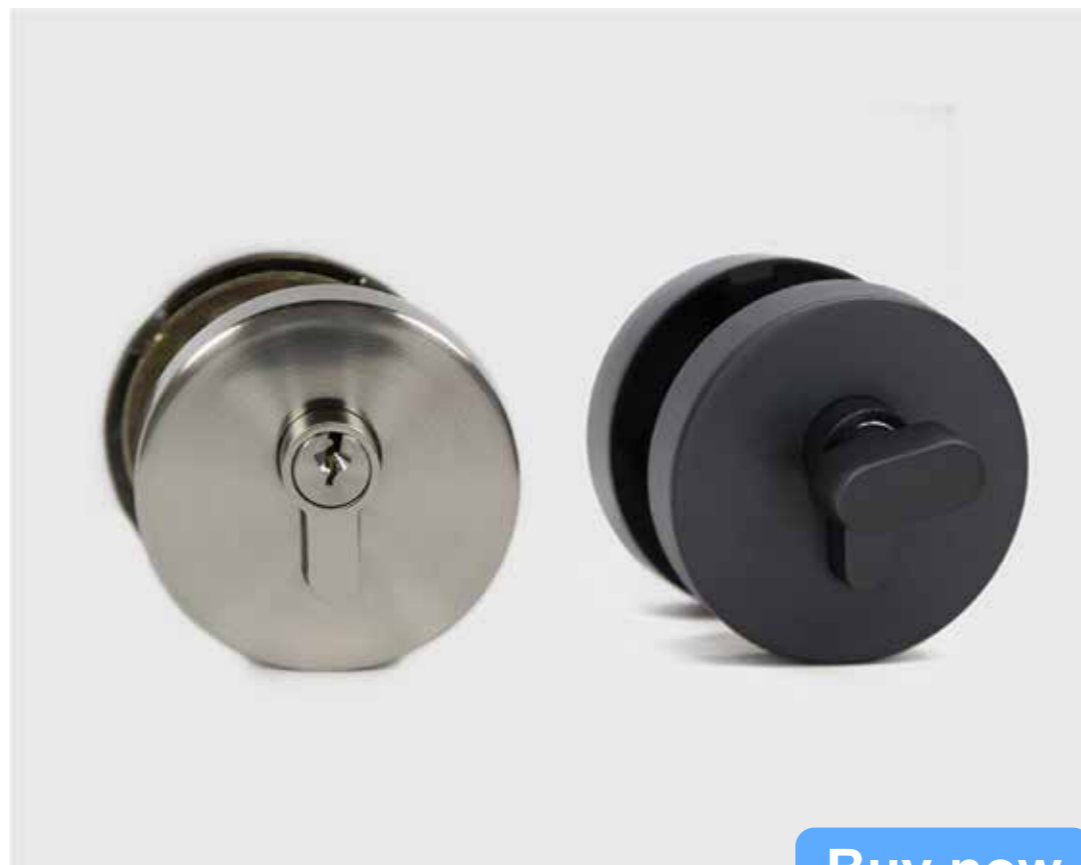
[Buy now](#)



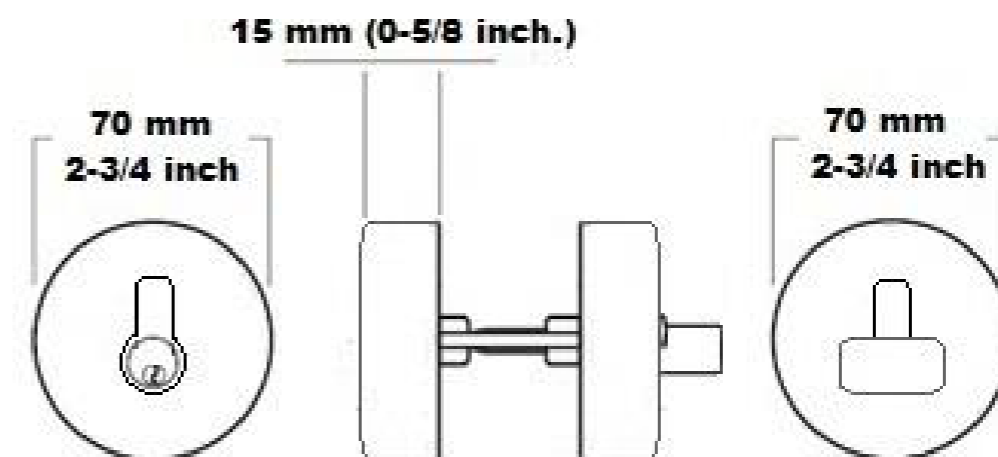
Product description:

- **Backset:** Adjustable 2-3/8" (60mm) to 2-3/4"(70 mm)
- **Door thickness:** 1-3/8" to 1-3/4" (35mm to 44.5mm)
- **Deadbolt type:** Single cylinder

Modern Residential Single Cylinder Round Deadbolt



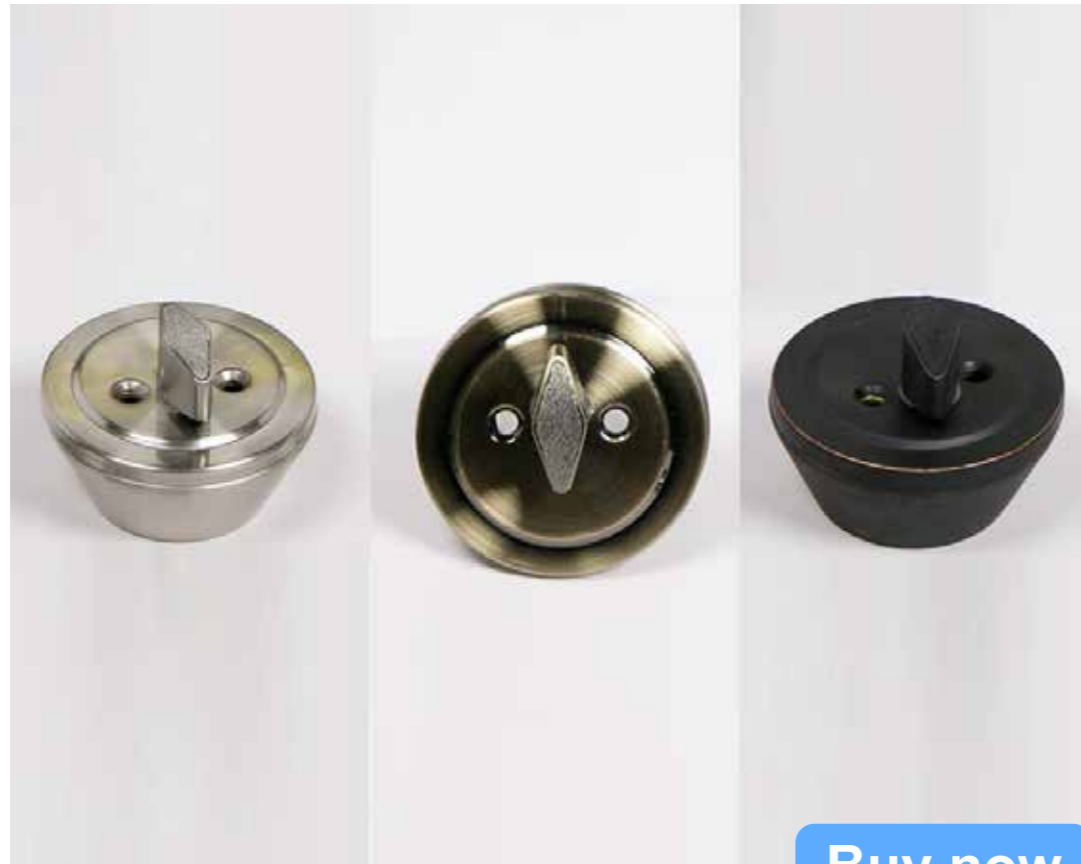
[Buy now](#)



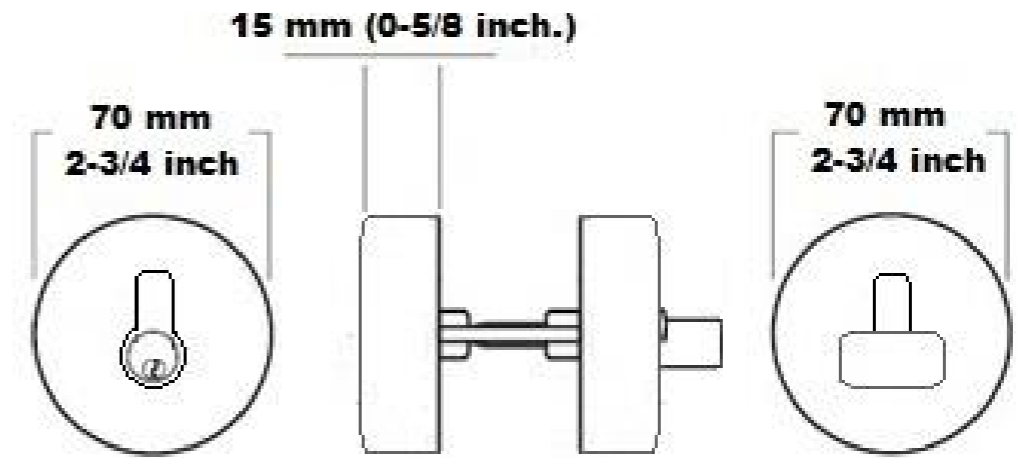
Product description:

- **Bucket:** Adjustable 2-3/8" (60mm) to 2-3/4"(70 mm)
- **Door thickness:** 1-3/8" to 1-3/4" (35mm to 44.5mm)
- **Deadbolt type:** Single cylinder

Classic Residential Deadbolt



[Buy now](#)



Product description:

- **Bucket:** Adjustable 2-3/8" (60mm) to 2-3/4"(70 mm)
- **Door thickness:** 1-3/8" to 1-3/4" (35mm to 44.5mm)
- **Deadbolt type:** Single cylinder

Modern Square Door Stop Baseboard Mounted



[Buy now](#)

Product Description:

- Resilient Rubber Guard, non-marking
- Width: 0.7" (18mm), Projection: 3.22" (82mm)
- Base size: 3/4" x 3/4"

Modern Square Door Stop Floor Mounted



[Buy now](#)

Product Description:

- Resilient Rubber Guard, non-marking
- Width: 3/4" (20 mm), Height: 1-1/4" (32mm)
- Includes Necessary Installation Hardware

Classic Round Door Stop Baseboard Mounted



[Buy now](#)

Product Description:

- Resilient Rubber Guard, non-marking
- Projection: 3" (76.2 mm)
- Base size: 3/4" x 3/4"

Ball Bearing Door Hinges (2-Pack) SS304



[Buy now](#)

Product Description:

- Ball Bearing Hinges (2-pack) SS304
- Available in various sizes:
3" x 3", 3,5" x 3,5", 4" x 4"
- and following finishes:
Satin Nickel, Black, Polished Chrome, Satin Gold

Ball Bearing Hinges (2-pack) SS304 Round Cut Out 5/8 inch radius



[Buy now](#)

Product Description:

- Ideal for residential use for doors up to 1-3/4" thick
- Heavy-gauge cold-rolled steel for added strength
- Fits standard hinge cutout
- Made of Stainless Steel 304
- Screws included



Shipping, Warranty & Returns

Shipping

We ship Canada-wide from Toronto via Canada Post.

Most orders are dispatched same day as payment received.

All quoted delivery dates of 1 to 3 working days and 3 to 7 working days excludes weekends. You will receive the tracking number once the parcel is sent. Currently all orders over \$100 CAD are shipped free of charge. Otherwise we charge flat fee of \$20 per order.

Local pickup

Local pickups are available at the following address:

226 Wildcat Rd, North York, ON, M3J 2N5 Mon-Fr: 10am-5pm; Sat: 10am-4pm; Sun-closed

Warranty

If there are any mechanical problems with the product within 1 year from the day of purchase, we would replace the product free of charge minus the shipping cost. This warranty covers any supplied or manufactured parts of the product that, upon inspection by Renovation Outlet authorized personnel, is found to have failed in normal use due to defects in the material or workmanship. This warranty does not apply to the installation expenses. Attempting to service or modify this unit, operating this unit under conditions other than the recommended will render this warranty void. Unless otherwise prescribed by law, Renovation Outlet shall not be liable for any personal injury, property damage and or any incidental or consequential damages of any kind (including water damage) resulting from malfunctions, defects, misuse, improper installation or alteration of this product. All parts of this product are guaranteed for a period of 1 year as follows: Within the first 12 months from the date of purchase, subject to the conditions above, Renovation Outlet will repair or replace the product if it is defective in the material or workmanship. All shipping handling charges are non-refundable. Warranty does not cover normal tear and wear, damages due to negligence, improper installation, and operation.

Returns

- Here at Renovation Outlet we offer 30-day money back guarantee
- This 30-day money back guarantee is a subject to the following simple conditions:
- The items are undamaged in original packaging
- 10% restocking fee may apply
- Carriage costs are not refundable and return carriage is payable by the customer
- We will credit your payment card account within 1 week after the return is received

 (+1) 416-822-7588

 info@renovationoutlet.ca

RENOVATIONOUTLET

door hardware at unbeatable price