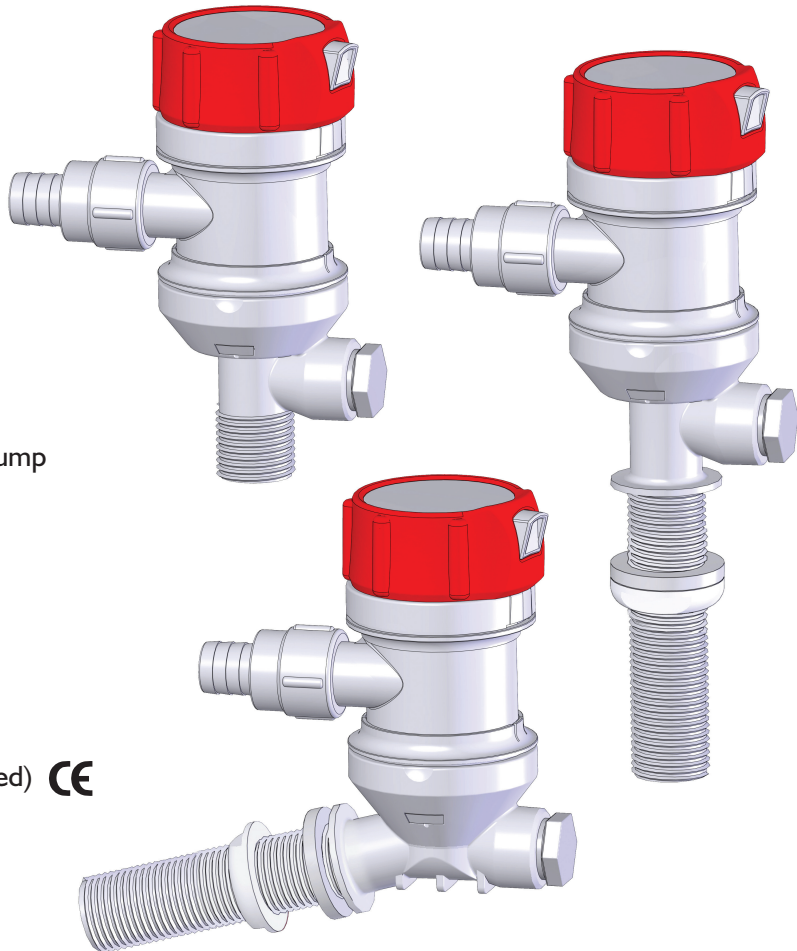




New Livewell/Baitwell Cartridge Pumps

The next generation in livewell/baitwell pump design

- ✓ Rotatable base for positioning discharge hose
- ✓ One hand “push button” motor release mechanism
- ✓ Positive Snap motor cartridge locking mechanism
- ✓ Anti-airlock feature
- ✓ Long-life motors
- ✓ Dual port option for washdown pump
- ✓ Water-cooled motor
- ✓ Stainless steel shaft
- ✓ Rule moisture tight seals
- ✓ Glass-filled nylon hose adaptors
- ✓ ISO 8846 Marine (ignition protected) **CE**

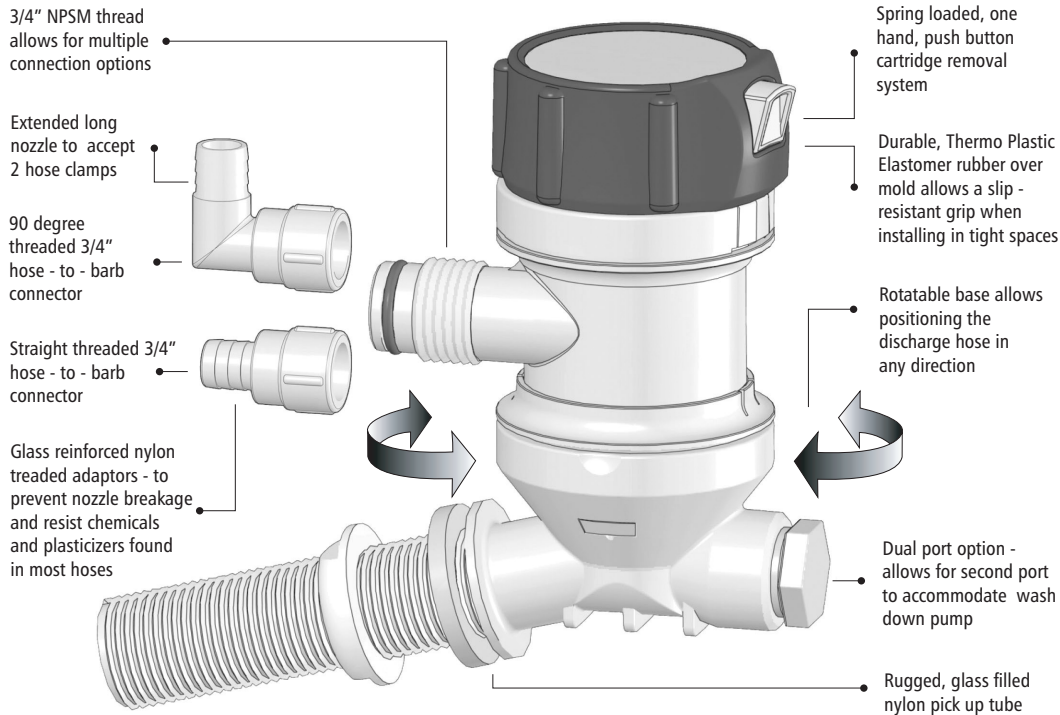


These new pumps are built on Rule’s unsurpassed quality and leadership in pump design and technology. The innovative design includes many new and exciting features including a quick, one hand “push button” motor cartridge removal system, patent-pending rotatable base that allows you to position the discharge nozzle at any location, and threaded nylon hose barb attachments, which allow for various hose mounting options. Other features include a built-in dual port option, water-cooled housing, and positive snap motor cartridge locking mechanism. Pumps are available in 500 GPH, 800GPH, and 1100 GPH and are fitted for transom or seacock mounting options.

NEW! Livewell/Baitwell Cartridge Pumps

New Livewell/Baitwell Cartridge Pumps

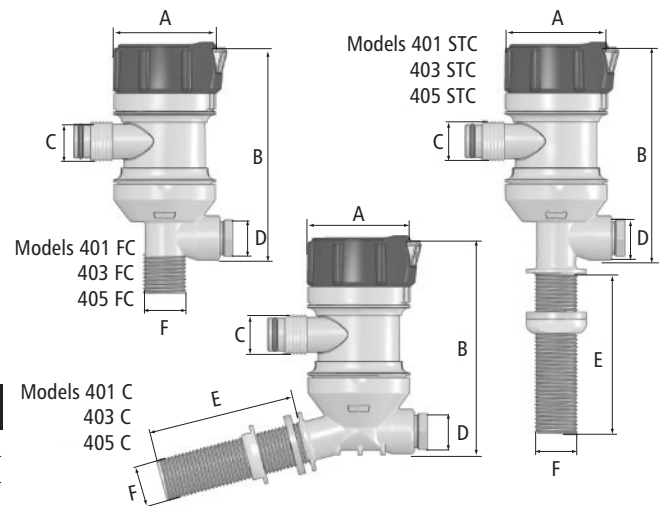
The next generation in livewell/baitwell pump design



Model	Capacity GPH (LPH)	A in (mm)	B in (mm)	C in	D in	E in (mm)	F in
401C	500 (1893)	2.76 (70.1)	5.87 (149.1)	3/4-14NPSM	1/2-14NPT	4.0 (101.6)	3/4-14NPSM
403C	800 (3028)	2.76 (70.1)	5.87 (149.1)	3/4-14NPSM	1/2-14NPT	4.0 (101.6)	3/4-14NPSM
405C	1000 (3785)	2.76 (70.1)	5.87 (149.1)	1-11.5NPSM	1/2-14NPT	4.0 (101.6)	3/4-14NPSM
401STC	500 (1893)	2.76 (70.1)	5.84 (148.3)	3/4-14NPSM	1/2-14NPT	4.33 (109.9)	3/4-14NPSM
403STC	800 (3028)	2.76 (70.1)	5.84 (148.3)	3/4-14NPSM	1/2-14NPT	4.33 (109.9)	3/4-14NPSM
405STC	1100 (4164)	2.76 (70.1)	5.84 (148.3)	1-11.5NPSM	1/2-14NPT	4.33 (109.9)	3/4-14NPSM
401FC	500 (1893)	2.76 (70.1)	5.87 (149.1)	3/4-14NPSM	1/2-14NPT		3/4-14NPT
403FC	800 (3028)	2.76 (70.1)	5.87 (149.1)	3/4-14NPSM	1/2-14NPT		3/4-14NPT
405FC	1100 (4164)	2.76 (70.1)	5.87 (149.1)	1-11.5NPSM	1/2-14NPT		3/4-14NPT

Model # Aftermarket	Model # OEM	Cartridge Livewell Baitwell Pump	Outlet	Port Sizes	Amps	Fuse size
				Dualport	12v, 13.6v	Amps
401C	401CM	500 GPH Livewell Pump-Angled Thru-Hull Fitting	3/4" (19mm)	1/2" NPT	2.1 / 2.5	2.5
403C	403CM	800 GPH Livewell Pump-Angled Thru-Hull Fitting	3/4" (19mm)	1/2" NPT	2.8 / 4.0	5
401STC	401STCM	500 GPH Livewell Pump-Straight Thru-Hull Fitting	3/4" (19mm)	1/2" NPT	2.1 / 2.5	2.5
403STC	403STCM	800 GPH Livewell Pump-Straight Thru-Hull Fitting	3/4" (19mm)	1/2" NPT	2.8 / 4.0	5
405STC	405STCM	1100 GPH Livewell Pump-Straight Thru-Hull Fitting	1 1/8" (29mm)	1/2" NPT	3.3 / 5.0	6
* 401FC	401FCM	500 GPH Livewell Pump-Seacock Fitting	3/4" (19mm)	1/2" NPT	2.1 / 2.5	2.5
* 403FC	403FCM	800 GPH Livewell Pump-Seacock Fitting	3/4" (19mm)	1/2" NPT	2.8 / 4.0	5
* 405FC	405FCM	1100 GPH Livewell Pump-Seacock Fitting	1 1/8" (29mm)	1/2" NPT	3.3 / 5.0	6

* For seacock application -Straight 1" (25mm) pickup tube with tapered threads



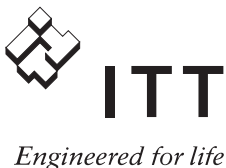
Replacement Motor Cartridges Available

45DR – 500GPH Replacement Motor Cartridge

46DR – 800GPH Replacement Motor Cartridge

47DR – 1100GPH Replacement Motor Cartridge

www.rule-industries.com



USA

Rule
Cape Ann Industrial Park
Gloucester, MA 01930
Tel: +1 978 281 0440
Fax: +1 978 859 2619

UK

Rule
Bingley Road, Hoddesdon
Hertfordshire EN 11 0BU
Tel: +44 1992 450145
Fax: +44 1992 467132

CANADA

Fluid Products Canada
55 Royal Road
Guelph, Ontario N1H 1T1
Tel: +1 519 821 1900
Fax: +1 519 821 5316

JAPAN

NHK Jabsco Co Ltd.
3-21-10, Shin-Yokohama
Kohoku-ku Yokohama 222
Tel: +81 45 475 8906
Fax: +81 45 475 8908

GERMANY

Jabsco GmbH
OststraBe 28
22844 Norderstedt
Tel: +49 40 5353 730
Fax: +49 40 5353 7311

ITALY

Jabsco Marine Italia
Via Tommaseo, 6
20059 Vimercate, Milano
Tel: +39 039 685 2323
Fax: +39 039 666 307