

Music Library Lock Assembly

CONTENTS

Required Tools	2
Fasteners	2
Part List	2
Assembly	2
Before Starting the Assembly	2
Install the Latch Assembly	3
Install the Lock Bracket	4
Warranty	5

Note: Please read and understand the Music Library Lock Option Installation Instructions before assembling the parts.

Note: Refer to the illustrations on the following pages. If you need additional information about your Music Library Lock Option, write, email, or telephone Wenger Corporation at the number below.

Warning: *Wear safety glasses when drilling holes into the Front Panel. Failure to observe this warning can result in serious injury.*

REQUIRED TOOLS

Tools required for assembly are a cordless variable speed electric drill, a 1/4-inch drill bit, a 7/16-inch open end wrench, and a 5/32-inch Hex Insert Bit (packaged in the large bag).



Drill



1/4-inch Drill Bit

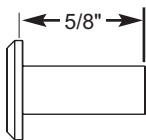


(1) Hex Insert Bit, 5/32-inch

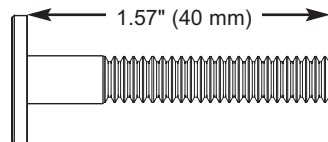


7/16-inch Open End Wrench

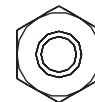
FASTENERS



(2) Hex Socket Cap Insert Nut



(3) Hex Socket Machine Screw, 1/4-20x1.57" (40 mm)



(4) Hex Nut, Nylok, 1/4-20

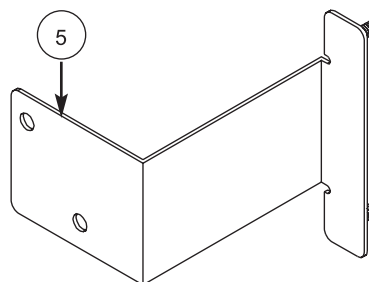
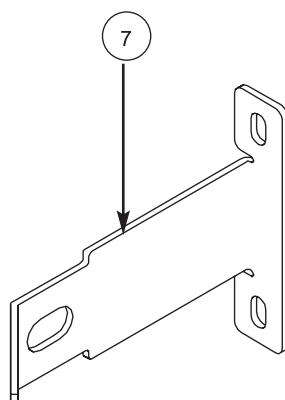
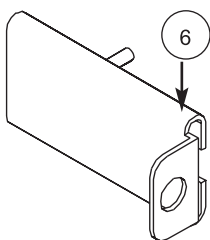
PART LIST

Item	Description	Part Number	Item	Description	Part Number
1	Hex Insert Bit, 5/32"	X001962	5	Lock Drill Template, Music Library	173C242
2	Hex Socket Cap Insert Nut, 10-24, Black	250A510._1	6	Latch Assembly, Black	250A501._2
3	Hex Socket Machine Screw, 1/4-20x40mm, Black	250A516._1	7	Lock Bracket, Music Library	173E241
4	Hex Nut, 1/4-20, Nylok, Zinc Plate	X001713	8		

ASSEMBLY

BEFORE STARTING THE ASSEMBLY

1. Read and understand this assembly instruction.
2. Remove all items from the shipping carton and make sure that all parts are present. Item numbers refer to the Part List above.
3. Inventory the hardware package and make sure that all required hardware is present. Discard any items not used during the assembly.



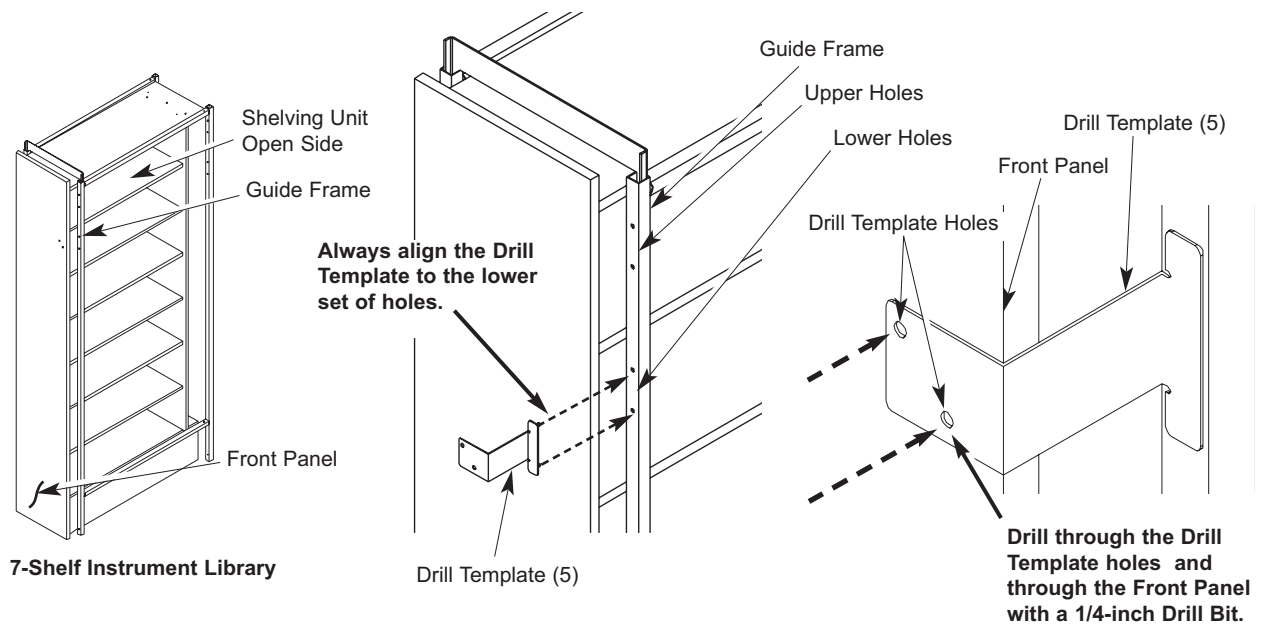
ASSEMBLY CONTINUED

INSTALL THE LATCH ASSEMBLY

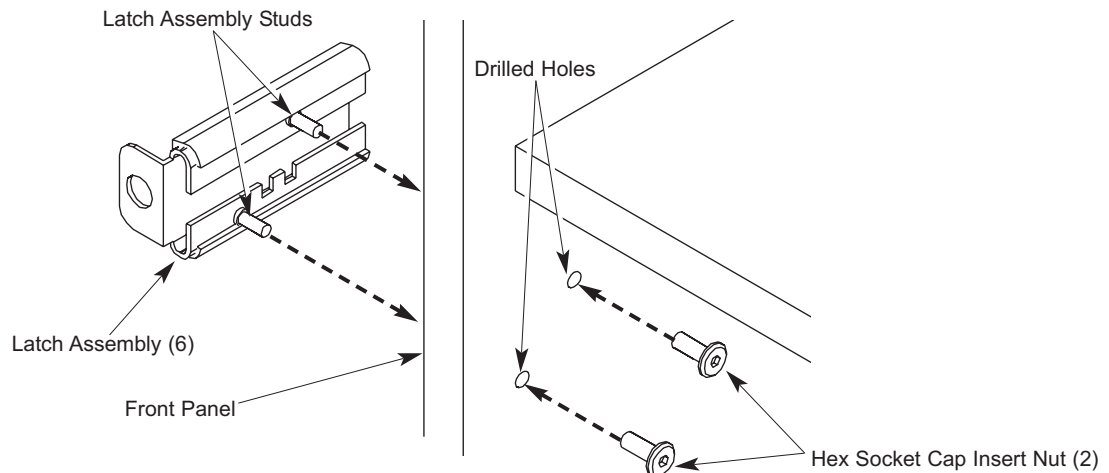
Note: Always attach the Latch Assembly on the open side of the shelving unit, as shown below.

Note: Always use the lower set of holes on the Guide Frame when installing the Latch Assembly to a 7-Shelf Music Library.

1. On the open side of the Shelving Unit, insert the Drill Template (5) Studs into the Lower Holes in the Guide Frame.
2. Hold the Drill Template (5) against the Front Panel (Drill Template Studs inserted into the Guide Frame Holes) and, using the Drill Template Holes as a guide, drill two holes through the Front Panel with a 1/4-inch drill bit.



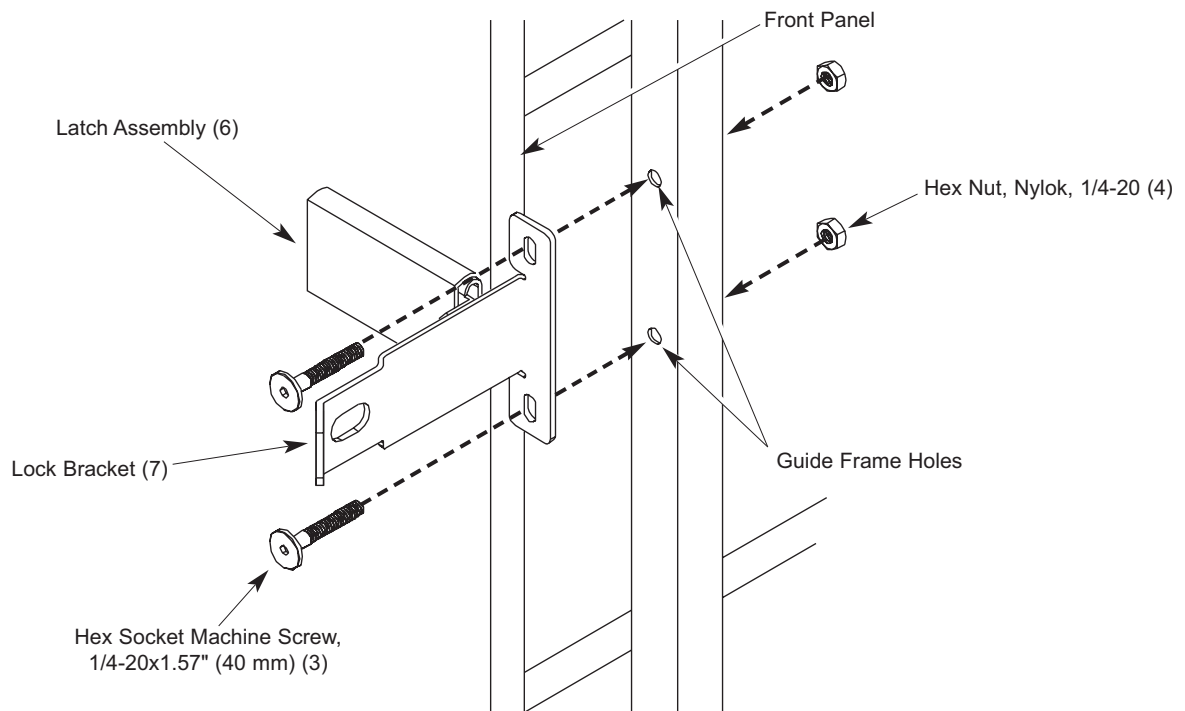
3. Insert the Latch Assembly Studs (6) into the two 1/4-inch holes drilled in step 3.
4. Pull the shelving unit outward for access, and using the Hex Drive Bit (1) and a cordless drill, screw the two Hex Socket Cap Insert Nuts (2) onto the Latch Assembly Studs.



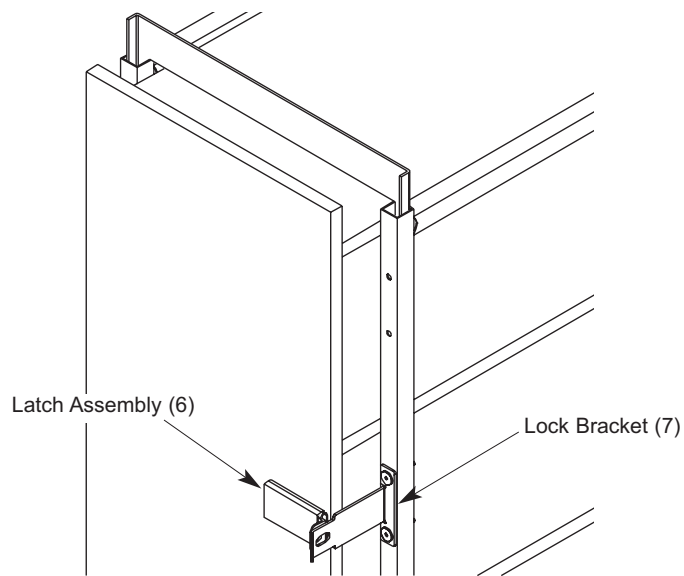
ASSEMBLY CONTINUED

INSTALL THE LOCK BRACKET

1. Using the 5/32 Hex Insert Bit (1) and a 7/16-inch open end wrench, attach the Lock Bracket (7) to the Guide Frame with two Machine Screws (3) and two Hex Nuts (4) as shown below.



2. A pad lock can be used to lock the Music Library Shelf Unit.



Finished Music Library Lock Assembly

WARRANTY

The Music Library Lock Option is guaranteed free of defects in materials and workmanship for five full years.

Our guarantee assures you of either a full refund or repair or replacement of the defective materials or workmanship without charge, at the discretion of our Customer Service Department. Just call a Customer Service Representative at 1-800-887-7145 and state the reason you are dissatisfied. If a product return is necessary, your representative will issue a return authorization. This is your sole remedy for breach of this warranty.

Should you have a question or problem with any Wenger product, don't hesitate to call, even if the product is past warranty. It's important to us that all our customers be satisfied.

This is the sole warranty made by Wenger. Wenger disclaims all other warranties, including the warranties of merchantability and fitness for a particular purpose, as well as all liability for incidental, consequential, special, and indirect damage. Wenger liability for direct damages shall be limited to the amount you paid for the product involved. Wenger reserves the right to make product changes without obligation to incorporate such changes into products previously sold.

Some states do not allow the exclusion or limitation of damages or warranties, so the above may not apply to you. This warranty gives you specific legal rights. You may also have other rights which vary from state to state.