

ASSEMBLY INSTRUCTIONS

FOR

FRONT DISC BRAKE KIT PRO STREET APPLICATION, VENTED ROTOR TYPE

1987 - 1993 MUSTANG (1984 - 1986 SVO)

PART NUMBER

140-3266

WARNING

INSTALLATION OF THIS KIT SHOULD **ONLY** BE PERFORMED BY PERSONS EXPERIENCED IN THE INSTALLATION AND PROPER OPERATION OF DISC BRAKE SYSTEMS. IT IS THE RESPONSIBILITY OF THE PERSON INSTALLING ANY BRAKE COMPONENT OR KIT TO DETERMINE THE SUITABILITY OF THE COMPONENT OR KIT FOR THAT PARTICULAR APPLICATION.



FOR OFF ROAD USE ONLY

BEFORE OPERATING VEHICLE, TEST THE BRAKES UNDER CONTROLLED CONDITIONS. MAKE SEVERAL STOPS IN A SAFE AREA FROM LOW SPEEDS AND GRADUALLY WORK UP TO RACING SPEEDS. **DO NOT RACE ON UNTESTED BRAKES!** ALWAYS UTILIZE SAFETY RESTRAINT SYSTEMS WHILE OPERATING VEHICLE.

IMPORTANT

READ DISCLAIMER OF WARRANTY INCLUDED IN THE KIT.

WARNING: Some cleaners may stain or remove the finish on brake system components. Test the cleaner on a hidden portion of the component before general use.

Exploded Assembly Diagram and Parts List

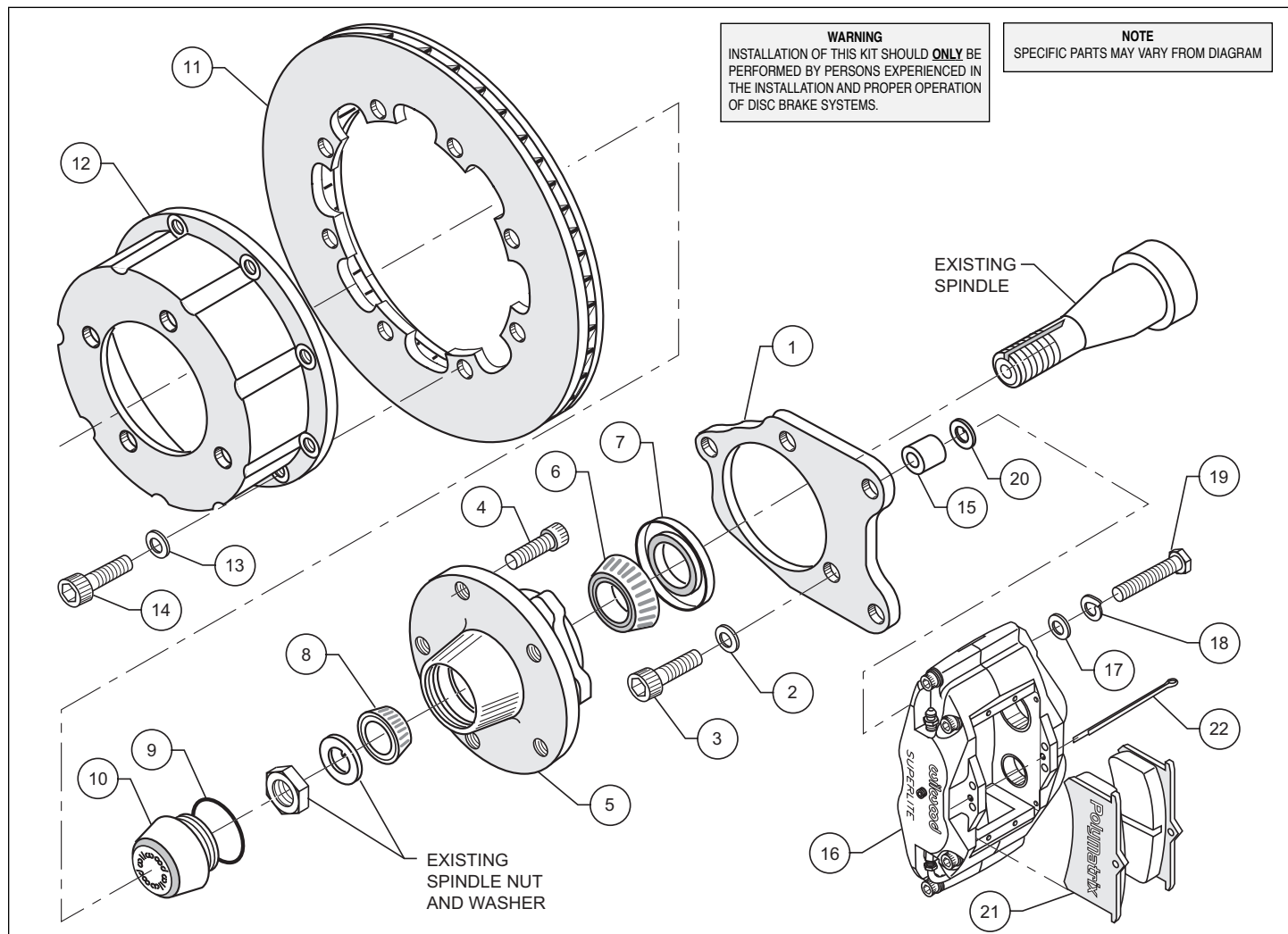


Figure 1. Typical Installation Configuration

ITEM NO.	PART NO.	DESCRIPTION	QTY
1	250-2524	Bracket, Caliper Mounting	2
2	240-0140	Washer	6
3	230-1747	Bolt, 3/8-16 x 1.25 Long	6
4	230-0921	Stud, 1/2-20 x 3.00 Long, SHCS	10
5	270-3268	Hub Assembly	2
6	370-2609	Cone, Inner Bearing	2
7	380-2572	Seal, Grease	2
8	370-0882	Cone, Outer Bearing	2
9	211-1674	O-ring	2
10	270-3150	Cap, Dust	2
11	160-0276	Rotor	2
12	170-3265	Hat	2
13	240-0138	Washer, Lock, 5/16 inch	16
14	230-0101	Bolt, 5/16-24 x .75	16
15	300-3217	Spacer, .766 Long	4
16	120-3192	Caliper, Superlite IIA	2
17	240-0476	Washer, Flat, 7/16 inch	4
18	240-0139	Washer, Lock, 7/16 inch	4
19	230-3239	Bolt, 7/16-20 x 2.25 Long	4
20	240-1848	Shim, 0.032 inch Thick	12
21	150-3669	Pad, Soft	4
22	180-0053S	Pin, Cotter	2

NOTES:

Part Number 230-0150 Rotor Bolt Kit, includes part numbers 230-0101 and 240-0138

Part Number 230-3238 Caliper Bracket Mounting Bolt Kit, includes P/N's 230-3239, 230-1747, 240-0139, 240-0140, 240-0476 & 240-1848

General Information and Assembly Instructions

Installation of this kit should **ONLY** be performed by persons experienced in the installation and proper operation of disc brake systems. Before assembling the Wilwood front disc brake kit, double check the following items to ensure a trouble-free installation.

- Make sure this is the correct kit to match the exact make and model year of the vehicles spindle (i.e., hubs for a 1970 Mustang spindle will not fit a 1987 Mustang spindle). On some models of disc brake spindles there are “ears” where the OEM calipers were mounted and these “ears” interfere with the assembly of the Wilwood disc brake kit. See spindle modification instructions below.
- Verify the hub stud pattern in this kit matches the stud pattern of the vehicles wheels.
- Inspect the package contents against the parts list to ensure that all components and hardware are included.

Disassembly / Spindle Modifications

- Disassemble the original equipment front brakes:

Raise the front wheels off the ground. Support the front suspension by placing jack stands under the lower control arms. The lower control arms **MUST** be supported. The vehicle’s weight must be on jack stands and not supported by a car jack or hoist.

Remove the center cap, cotter pin, nut lock and the wheel bearing nut and washer. Save the wheel bearing nut and nut lock. Remove the brake drum and hub assembly, including the wheel bearings. Disconnect the brake hoses from the brake line at the body. Remove the two upper backing plate retaining nuts and bolts. Remove the two lower ball joint to spindle nuts and bolts. The backing plate, spindle and ball joint will now separate. Remove the brake backing plate and shoes as an assembly.

- Clean and de-grease the spindles. Remove all nicks or burrs on the spindle snout and threads. Remove any of the backing plate gasket which may remain on the spindles. Remove any scale or rust from the gasket area.
- With the spindle positioned in its correct upright position with the snout pointing towards you, measure 2.875 inches from the spindle centerline to lower OEM caliper mounting ear, mark this point. Remove OEM caliper mounting ear from this mark, be careful not to cut into the dust plate mounting hole and raised boss. Remove all sharp corners and burrs with a file or grinder.
- Remove only the upper OEM caliper mounting ear making sure all the material required to mount the front strut is still intact. Remove all sharp corners and burrs with a file or grinder.
- Drill out the three dust plate mounting holes in the spindle face with a 5/16 inch (.312) diameter drill. Tap the three holes with a 3/8-16 UNC tap (these three holes will be used to mount the caliper mounting bracket). Verify that there are no raised burrs on the spindle face that may interfere with the assembly of the disc brake kit components.

Assembly Instructions (number in parenthesis refer to the parts list/diagram on the preceding page):

- Apply red Loctite® 271 to bolt threads (3) before assembly of the caliper mounting bracket (1). Mount bracket (1) to dust face plate of spindle using washers (2) and bolts (3). Torque bolts (3) to 22 ft-lb. **NOTE:** Be sure the heads of the bracket (1) insert nuts are facing outward toward the wheel.
- Install wheel studs (4) into the hub (5). Torque to 77 ft-lb.
- Pack the large inner bearing cone (6) with high temperature disc brake bearing grease (available from your local auto parts store) and install into the backside of the hub (5). Install the grease seal (7) by pressing into the backside of the hub (5).
- Pack the small outer bearing cone (8) with high temperature disc brake bearing grease and install into front of hub (5). Slide the hub with outer bearing cone (8) onto the spindle. Secure using stock washer, adjusting nut and nut locking device. Adjust bearings per Original Equipment Manufacturer (OEM) specifications.
- Install the dust cap (10) onto the hub (5). Friction created by the o-ring (9) on the dust cap (10) keeps it from unscrewing. The O.D. of the existing spindle washer may be larger than the I.D. of the dust cap (10) not allowing it to seat against the hub face. Some grinding on the washer O.D. may be necessary to clear the I.D. of the dust cap (10).
- With the larger I.D. side of the rotor (11) facing away from the hat (12), bolt rotor (11) to hat (12) using washers (13) and bolts (14). Apply red Loctite® 271 to bolt threads (14) and torque to 198 in-lb. Safety wire bolts (14).
- With the bleed screws pointing up, mount the caliper (16) onto the caliper bracket (1) with the flat washers (17), lock washers (18), bolts (19) and caliper spacer (15) positioned between caliper and bracket. Finger tighten. View the rotor (11) through the top opening of the caliper (16). The rotor (11) should be aligned in the center of the caliper (16). If not, adjust the caliper (16) by using 0.032 inch thick shims (20) placed between the caliper spacer (15) and the caliper (16). Finger tighten and recheck alignment. Apply red Loctite® 271 to bolt threads (19) and torque to 47 ft-lb. Safety wire caliper bolts (19).
- Install the disc brake pads (21) and secure using cotter pin (22).

•**NOTE:** The caliper inlet hole has a 1/8-27 NPT thread. A steel adapter fitting, straight or 90° elbow, should be installed in the caliper. Stainless steel braided flex line with enough length to allow the wheels to turn lock to lock without straining or pinching the line should be used to fabricate new brake hoses. **THE ORIGINAL EQUIPMENT PRODUCTION RUBBER BRAKE HOSES SHOULD NOT BE USED.**

Additional Information and Recommendations

- With the Wilwood disc brake system completely installed, use either of the two methods listed to balance the brake bias front to rear.
 - The Most Efficient Method:**
A Wilwood brake pedal/balance bar assembly (either floor or swing mount) and two single master cylinders (either two 7/8 inch or two 1 inch) mounted side by side. Dialing the balance bar left or right transfers the pressure from front to rear, or rear to front and allows the smallest of pressure adjustments to be made without any loss to the overall brake system line pressure.
 - The More Popular Method:**
An OEM 1-1/16 inch bore dual outlet master cylinder with a Wilwood adjustable proportioning valve plumbed into either the front or rear brake line. **NOTE:** A proportioning valve is an in-line pressure reducing device. Output pressure is reduced proportionally to input pressure. Net result is that the line pressure is reduced, forcing the remaining brakes to do more of the work.
- Fill and bleed the new system with Wilwood Hi-Temp[®] 570 grade fluid or higher. For severe braking or sustained high heat operation, use Wilwood EXP 600 Plus Racing Brake Fluid. Used fluid must be completely flushed from the system to prevent contamination. **NOTE:** Silicone DOT 5 brake fluid is **NOT** recommended.
- To properly bleed the brake system, begin with the caliper farthest from the master cylinder. Bleed the outboard bleed screw first, then the inboard. Repeat the procedure until all calipers in the system are bled, ending with the caliper closest to the master cylinder. **NOTE:** When using a new master cylinder, it is important to bench bleed the master cylinder first.
- If the master cylinder is mounted lower than the disc brake calipers, some fluid flowback to the master cylinder reservoir may occur, creating a vacuum effect that retracts the caliper pistons into the housing. This will cause the pedal to go to the floor on the first stroke until it has “pumped up” and moved all the pistons out against the pad again. A Wilwood in-line two pound residual pressure valve, installed near the master cylinder will stop the fluid flowback and keep the pedal firm and responsive.
- Test the brake pedal. It should be firm, not spongy and stop at least 1 inch from the floor under heavy load.
 - If the brake pedal is spongy, bleed the system again.
 - If the brake pedal is initially firm, but then sinks to the floor, check the system for fluid leaks. Correct the leaks (if applicable) and then bleed the system again.
 - If the brake pedal goes to the floor and continued bleeding of the system does not correct the problem, a master cylinder with increased capacity (larger bore diameter) will be required. Wilwood offers various lightweight master cylinders with large fluid displacement capacities.
- NOTE:** With the installation of after market disc brakes, the wheel track may change depending on the application. Check your wheel offset before final assembly.
- On some models of disc brake spindles there are “ears” where the OEM calipers were mounted and these “ears” interfere with the assembly of the Wilwood disc brake kit. If it becomes necessary to remove these “ears”, remove as little as possible being careful not to cut away any of the mounting holes that may be required to bolt on the caliper mounting bracket.
- If after following the instructions, you still have difficulty in assembling or bleeding your Wilwood disc brakes, consult your local chassis builder, or retailer where the kit was purchased for further assistance.

PAD BEDDING PROCEDURE:

- Pump brakes at low speed to assure proper operation. On the race track, or other safe location, make a series of hard stops until some brake fade is experienced. Allow brakes to cool while driving at moderate speed to avoid use of the brakes. This process will properly burnish the brake pads, offering maximum performance.

Associated Components

PART NO.	DESCRIPTION
260-1874	Wilwood Residual Pressure Valve (2 lb for disc brakes)
260-1876	Wilwood Residual Pressure Valve (10 lb for drum brakes)
260-2220	Wilwood Proportioning Valve
290-0632	Wilwood Racing Brake Fluid (Hi-Temp [®] 570) (12 oz)
290-6209	Wilwood Racing Brake Fluid (EXP 600 Plus) (16.9 oz)
340-1285	Wilwood Floor Mount Brake Pedal (with balance bar)
340-1287	Wilwood Swing Mount Brake Pedal (with balance bar)
260-6764	Wilwood 3/4 inch High Volume Aluminum Master Cylinder
260-6765	Wilwood 7/8 inch High Volume Aluminum Master Cylinder
260-6766	Wilwood 1 inch High Volume Aluminum Master Cylinder
260-4893	1-1/16 inch Tandem Master Cylinder (aluminum housing)
250-2406	Mounting Bracket Kit (tandem master cylinder)
350-2038	1971 - 1973 Pinto Rack and Pinion (new, not rebuilt)
270-2016	Quick Release Steering Hub (3/4 inch shaft)
270-2017	Quick Release Steering Hub (5/8 inch shaft)
220-0149	Fitting, Straight (1/8-27 NPT to -4)
220-0842	Fitting, 90° Elbow (1/8-27 NPT to -4)
	(Consult the Wilwood Catalog for a complete parts list)

Bolt Torque Specifications

BOLT SIZE	TORQUE
1/4-20	85 in-lb
1/4-28	103 in-lb
5/16-18	180 in-lb
5/16-24	198 in-lb
3/8-16	22 ft-lb
3/8-24	30 ft-lb
7/16-14	42 ft-lb
7/16-20	47 ft-lb
1/2-13	65 ft-lb
1/2-20	77 ft-lb
9/16-12	95 ft-lb
9/16-18	105 ft-lb
5/8-11	110 ft-lb
5/8-18	120 ft-lb

NOTE: This bolt torque specification list is for use with specific grades of bolts as supplied in the particular Wilwood kit and is not intended as a guide for any other application.