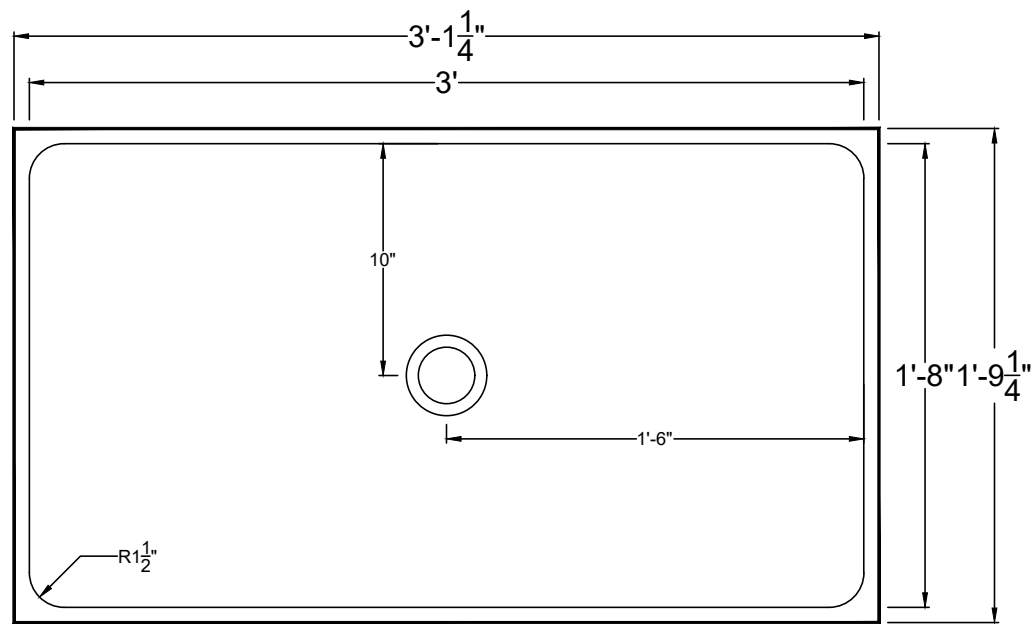
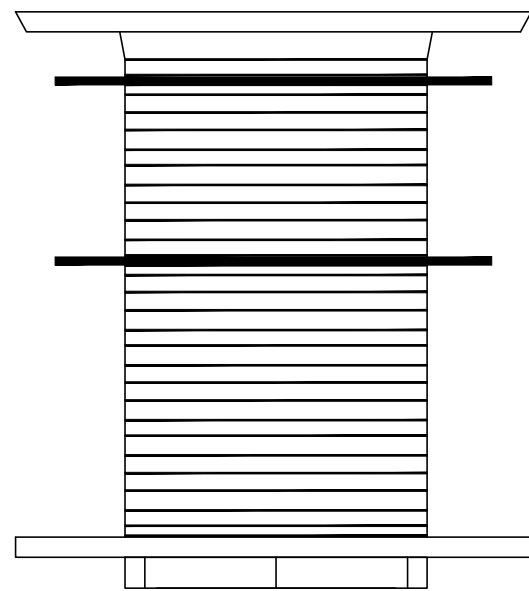
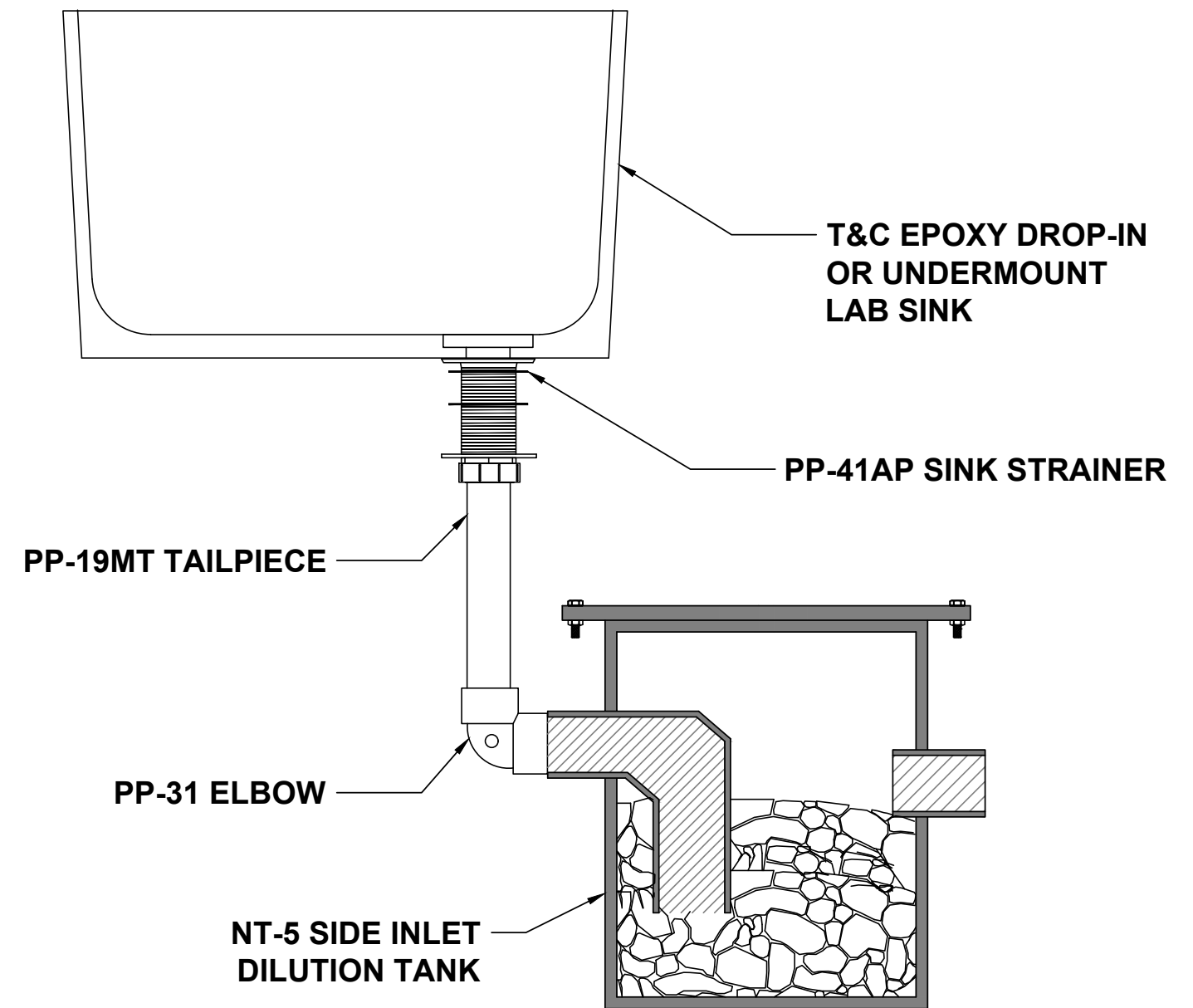


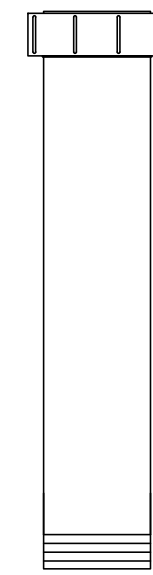
SECTION VIEW



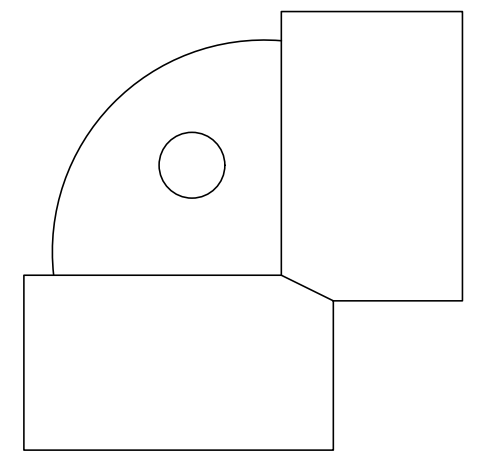
TOP VIEW



PP-41AP



PP-19MT



PP-31

NOTES:

UNLESS STATED OTHERWISE DIMENSIONS ARE IN INCHES

MATERIAL:			
WEIGHT [lb]:		NAME	DATE
DO NOT SCALE DRAWING		DRAWN	DR
		CHECKED	03/01/2023

TITLE:

UNDERMOUNT SINK

U67C

SHEET 1 OF 1

SCALE: N/A

REV:

SIZE:

T&C
PLASTICS
WWW.TANDCPLASTICS.COM
732-780-5300

THE INFORMATION CONTAINED IN THIS DRAWING IS THE SOLE PROPERTY OF TOWN & COUNTRY PLASTICS LLC. ANY REPRODUCTION IN PART OR AS A WHOLE WITHOUT THE WRITTEN PERMISSION OF TOWN & PLASTICS LLC IS PROHIBITED.