

Pressure Relief Valve

End of Line, Weight Loaded

Model No : 140

 **ATEX**
approved

Storagetech™'s Model 140 End of Line, Weight Loaded Pressure Relief Valve is designed to protect the tank from excessive internal pressure during operation.



Product Description

Storagetech™'s Model 140 End of Line, Weight Loaded Pressure Relief Valve is designed to protect the tank from excessive internal pressure during operation. The weighted-loaded pallet and diaphragm assembly is held tightly against a seal to prevent the loss of vapour to atmosphere in the closed position. As the internal pressure in the tank increases, due to product filling or vapour development, the set pressure is reached, accordingly, the diaphragm shall be opened and discharge the gas to atmosphere. When the tank come into normal operation range, the valve shall be seated again.

Storagetech Valves Activated as close as to set pressures, less than 10% of set pressures, ensuring accurate pressure management and isolate emission losses perfectly.

Key Features

- Easy to install. Do not need a special tool or experience.
- Light weight construction
- Quick and easy to install, inspect and clean
- Any grade materials are available.
- Has stainless steel pallets
- Large weatherhood provides maximum airflow
- Internal materials are resistant to winter conditions.
- Special designs can be achievable upon request to meet individual specifications
- Vacuum and relief cases can be managed effectively as per the set requirements of bulk storage tank.
- Super Duo technology provides extra curves and perfect seating with zero leakage.
- Set values can be arranged as per the site conditions, no need supervising.
- Diaphragm is manufactured from PTFE material to prevent possibility of ice formation and sticky residues hindering the valve from opening, while the pallet assembly moves freely on guide posts.
- Design, manufacturing and test according to EN ISO 80079-36.
- PTFE, XYLAN, Rubber lining, etc. coating options are available.
- Protected by a weather hood and stainless mesh screen to prevent ingress of pollution that might obstruct the opening.
- ANSI, DIN, JIS, API, etc. any special end connections are available
- Breathing requirements are fulfilled according to API 2000 7th Edition.



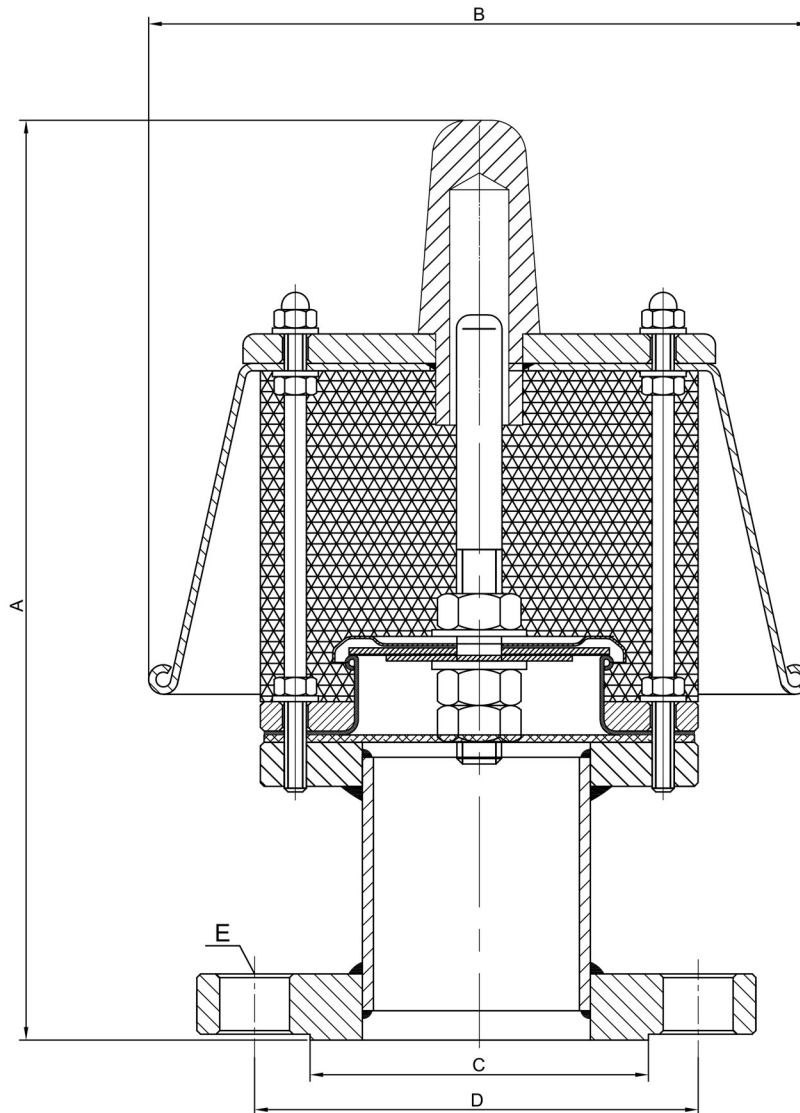
Setting Range

Pressure Weight-loaded +2.5 mbar and +35 mbar. (+1 inch W.C and +14 inch W.C) **Different settings can be applicable as per request.*

Construction

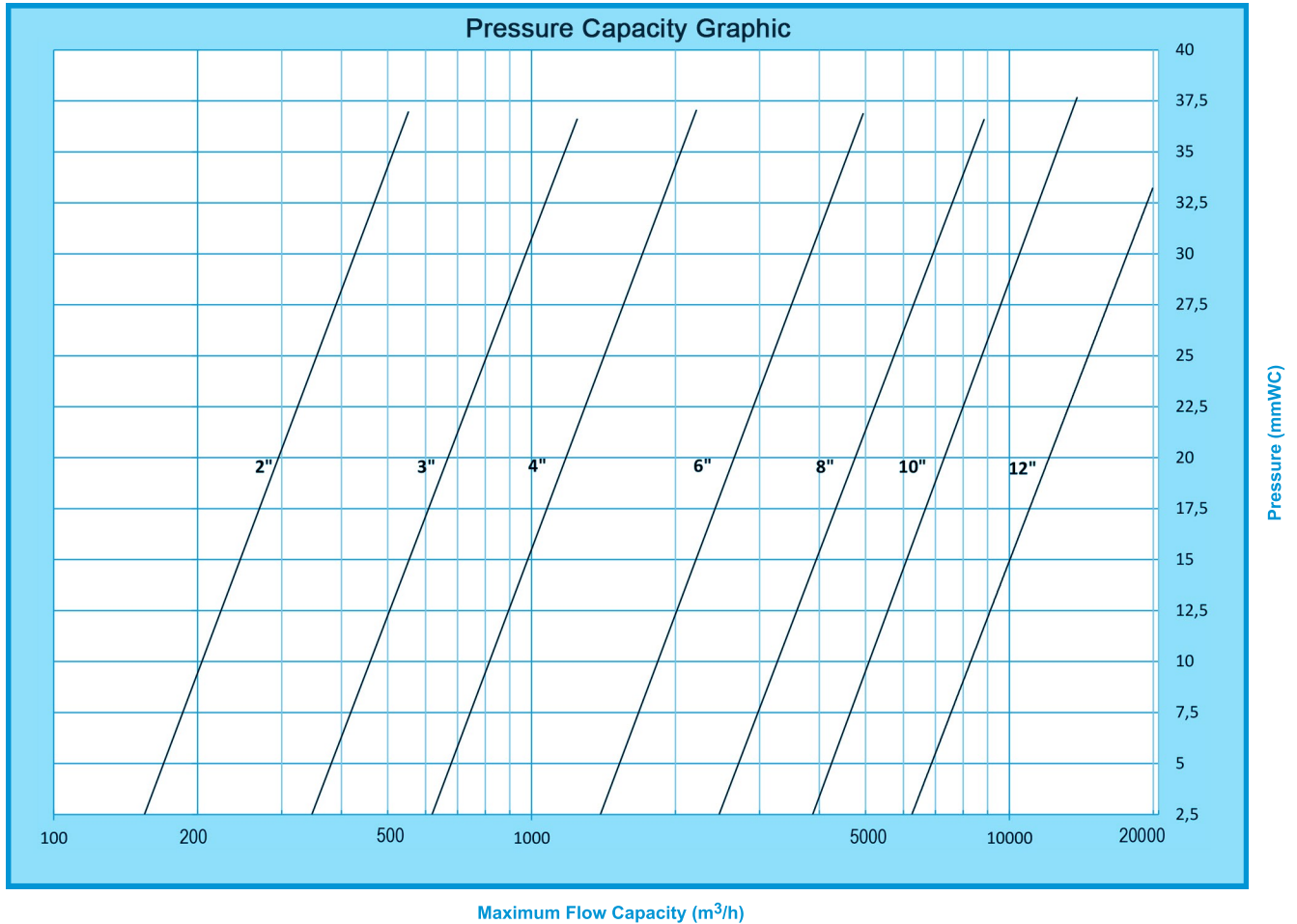
Standard Sizes	2" to 12" (DN50 to DN300) - Further sizes are applicable upon request.
Flanges	ANSI, DIN, JIS, BSP
Body	Carbon Steel, Stainless Steel or Aluminium
Seals	Klingrit, Nitrile, Viton, PTFE
Pallet	Stainless Steel AISI 304/316
Springs	Stainless Steel
Paint finish	<ol style="list-style-type: none"> 1. Customer Specification 2. Powder Coating, Colour RAL 9006 3. Epoxy Paint, Colour RAL 9006 4. PTFE Coating
ATEX Cert.	Ex II 1/2 G c II B

Weight and Dimensions



SIZE		A	B	C		D		E		Total Weight (kg)
NPS	DN			ANSI 150# RF	DN	ANSI 150# RF	DN	ANSI 150# RF	DN	
2"	50	248	165	Ø92,1	Ø102	Ø120,6	Ø125	Ø19x4	Ø18x4	7,5
3"	80	270	200	Ø127	Ø138	Ø152,4	Ø160	Ø19x4	Ø18x8	9,5
4"	100	327	285	Ø157,2	Ø158	Ø190,5	Ø180	Ø19x8	Ø18x8	13
6"	150	337	370	Ø215,9	Ø212	Ø241,3	Ø240	Ø22,2x8	Ø22x8	16
8"	200	339	455	Ø269,9	Ø268	Ø298,4	Ø295	Ø22,2x8	Ø22x12	23
10"	250	430	555	Ø323,8	Ø320	Ø362	Ø355	Ø25,4x12	Ø26x12	32
12"	300	405	613	Ø381	Ø378	Ø431,8	Ø410	Ø25,4x12	Ø26x12	45

Flow Capacity Table



PRESSURE RELIEF CAPACITIES [m ³ /h] - OVERPRESSURE WEIGHTED														
	2"		3"		4"		6"		8"		10"		12"	
mbar(g)	20%	40%	20%	40%	20%	40%	20%	40%	20%	40%	20%	40%	20%	40%
2,5	150	163	339	367	603	653	1356	1468	2413	2613	3777	4089	5439	5888
5	213	230	480	519	853	924	1917	2076	3414	3696	5342	5783	7691	8326
7,5	275	297	620	671	1104	1195	2479	2683	4415	4779	6907	7478	9943	10764
10	302	327	679	735	1207	1306	2711	2935	4827	5225	7554	8177	10876	11774
12,5	329	356	738	799	1309	1417	2943	3186	5239	5671	8200	8877	11809	12784
15	356	386	797	863	1412	1528	3175	3437	5651	6117	8846	9577	13309	14408
17,5	384	415	856	926	1514	1639	3407	3689	6063	6563	9493	10277	14502	15700
20	426	461	960	1040	1706	1847	3812	4126	6823	7387	10678	11559	15374	16644
22,5	469	507	1065	1153	1898	2054	4216	4564	7584	8210	11862	12842	15940	17256
25	476	516	1070	1159	1906	2064	4285	4639	7628	8258	11936	12921	17178	18597
27,5	484	524	1076	1165	1915	2073	4353	4713	7671	8305	12009	13000	18417	19937
30	522	565	1176	1273	2088	2261	4692	5080	8355	9045	12201	13209	18824	20379

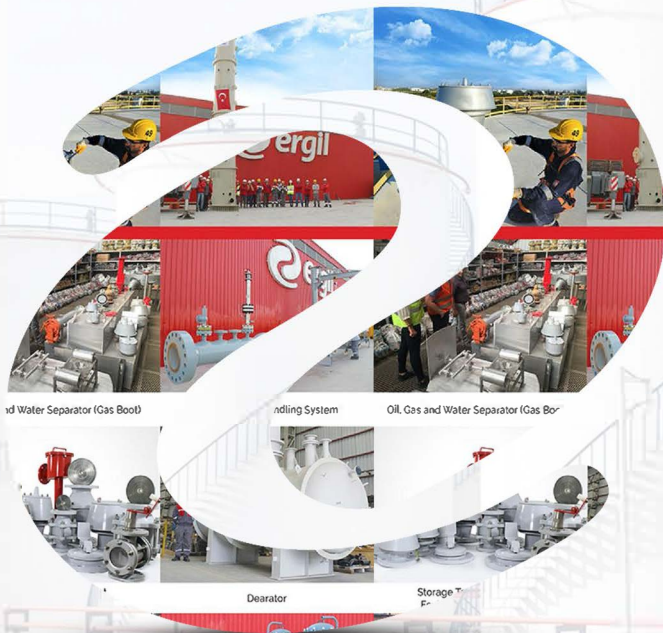
YOU ARE ONE STEP CLOSER TO MAKE THE RIGHT CHOICE



We are focusing on our core business platforms to deliver **highest quality** critical industrial products for energy, chemical, water, marine, mining, and manufacturing markets to support our customers for rapidly changing challenges.



Confidence, based on almost
40 years of experience!



DO YOU NEED A
**QUOTATION,
SPARE PARTS,
MAINTENANCE?**

CLICK HERE TO OUR
"REQUEST TO QUOTE" FORM

TRUSTED BY PROFESSIONALS
IN 150 COUNTRIES



CALL US FOR FREE CONSULTATION

