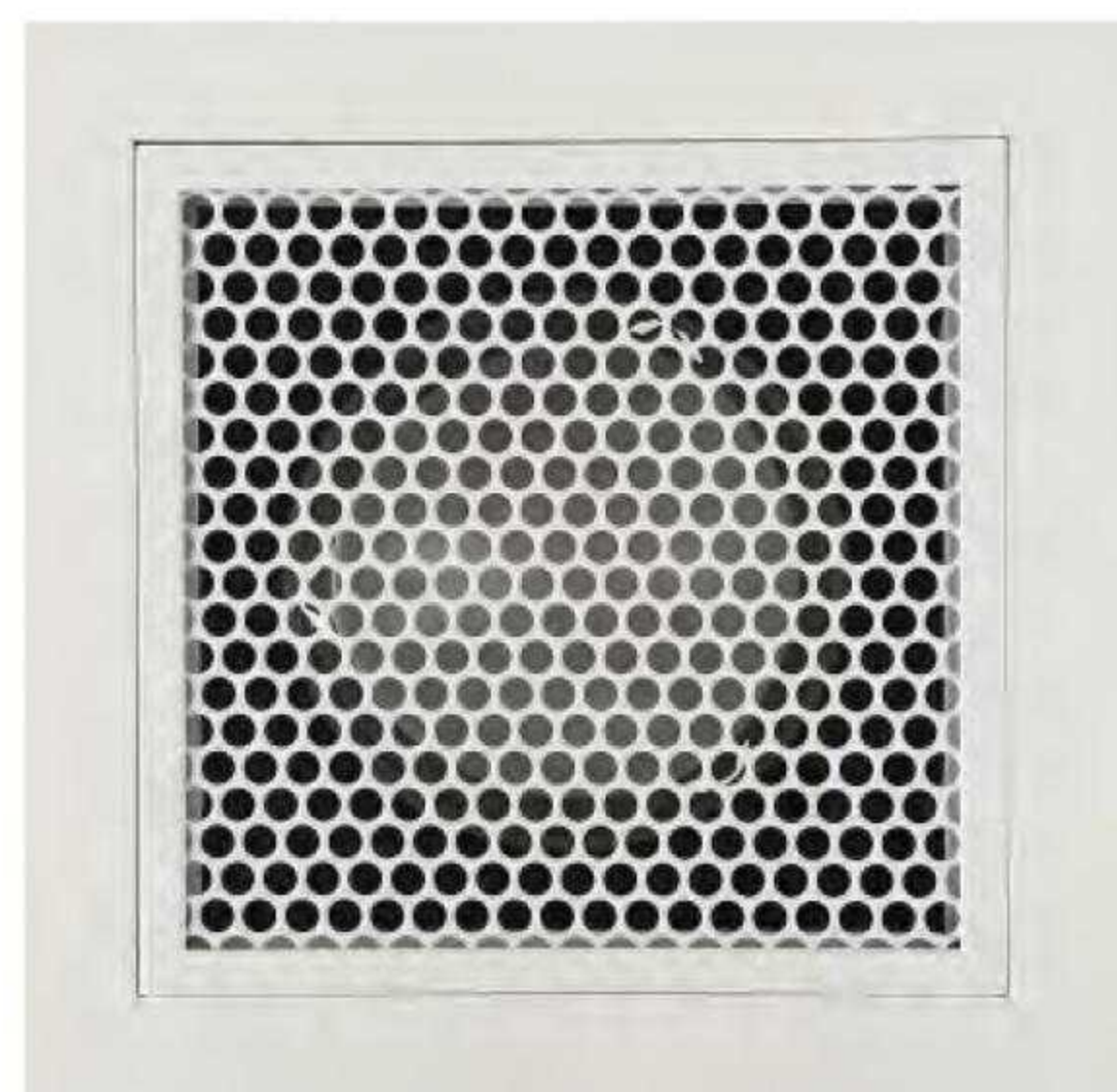


Perforated Grille Removable Core (PRG)

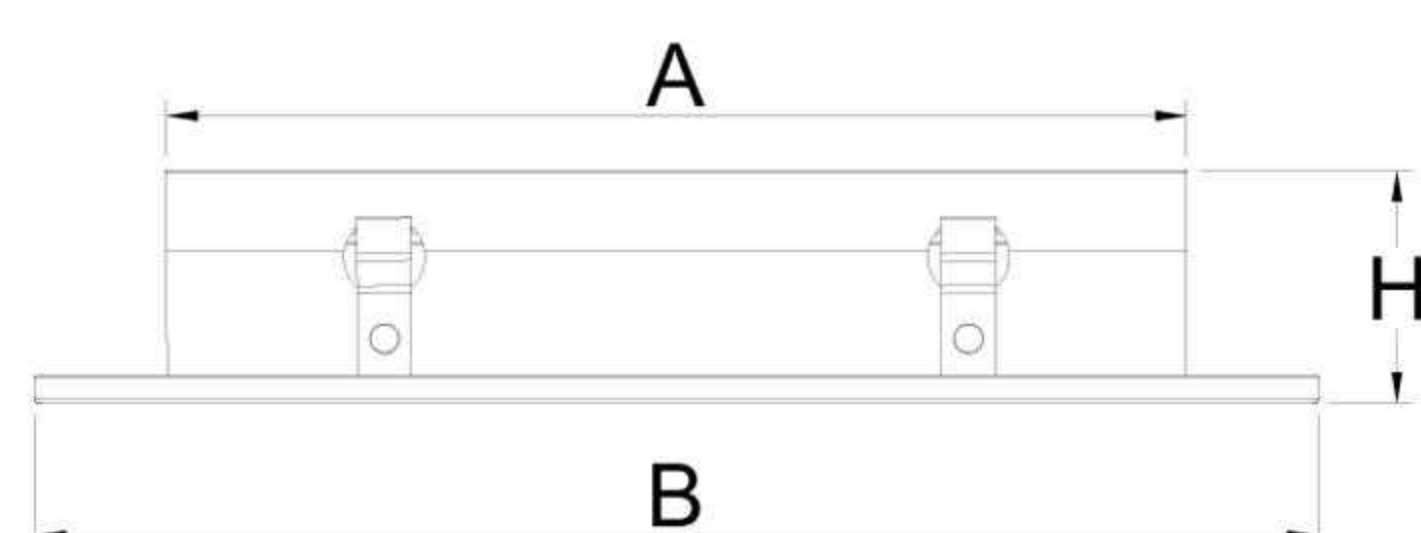


Feature Description

- * The perforated plate is made of steel
- * Powder coated white
- * The core is removable
- * Outer frame is made of aluminum profile 6063 T5

Accessories(Optional)

- Neck adaptor
- Different types of perforated plate
- Neck mounted opposed blade damper (aluminum mill or black)



Code	A-A	B-B	H
PRG 150150	145*145	194*194	43
PRG 200200	195*195	244*244	43
PRG 250250	245*245	294*294	43
PRG 300300	295*295	344*344	43
PRG 350350	345*345	394*394	43

Perforated Plate Diffuser (PFT)

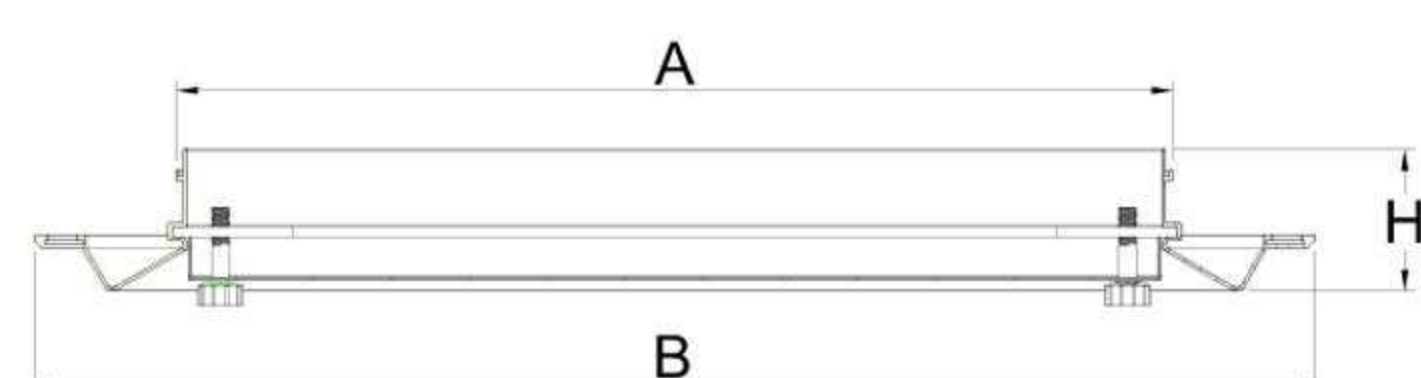


Feature Description

- * The perforated plate is made of steel
- * Powder coated white
- * The core is removable
- * Outer frame is made of aluminum profile 6063 T5

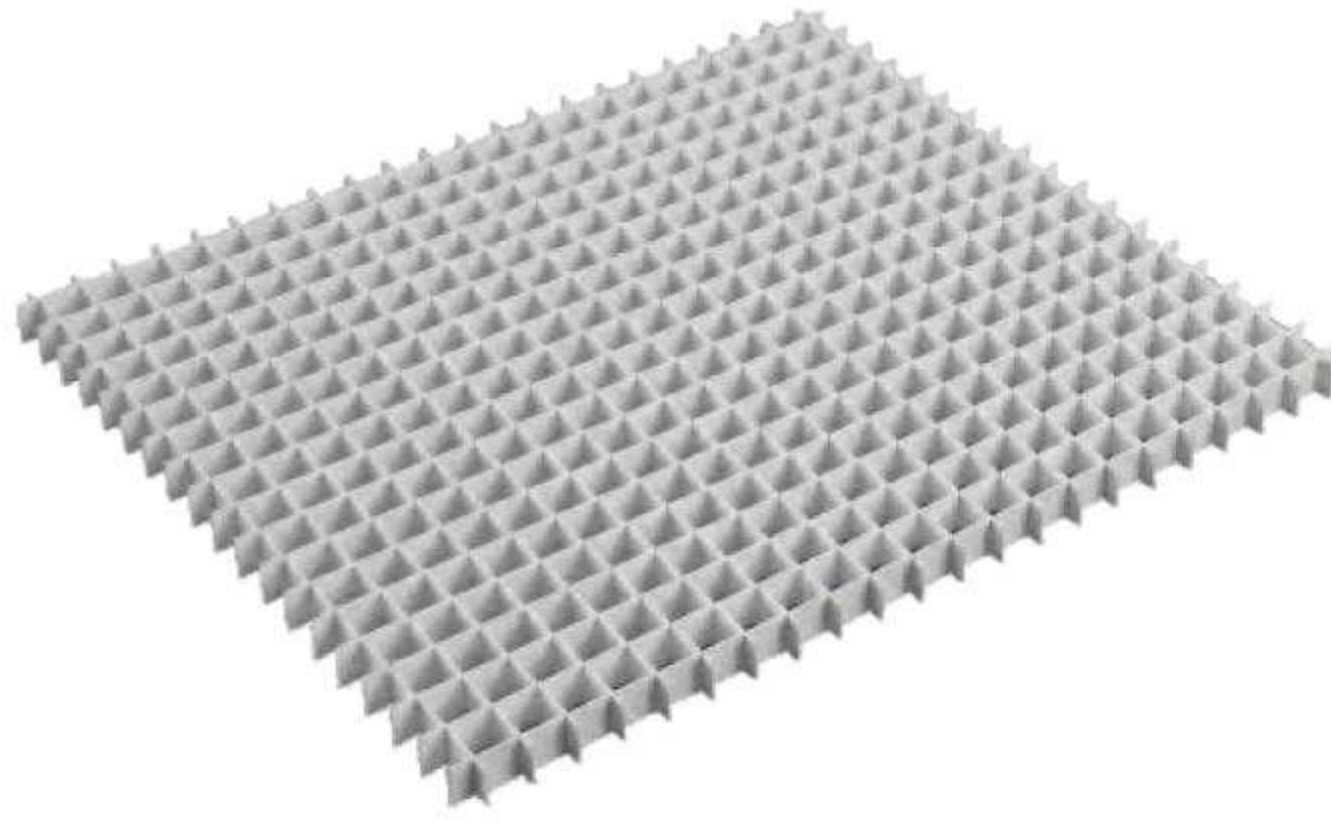
Accessories(Optional)

- Neck adaptor
- Different types of perforated plate
- Neck mounted opposed blade damper (aluminum mill or black)



Code	A-A	B-B	H
PFT 595/458	458*458	595*595	66.5

Aluminum Eggcrate Core



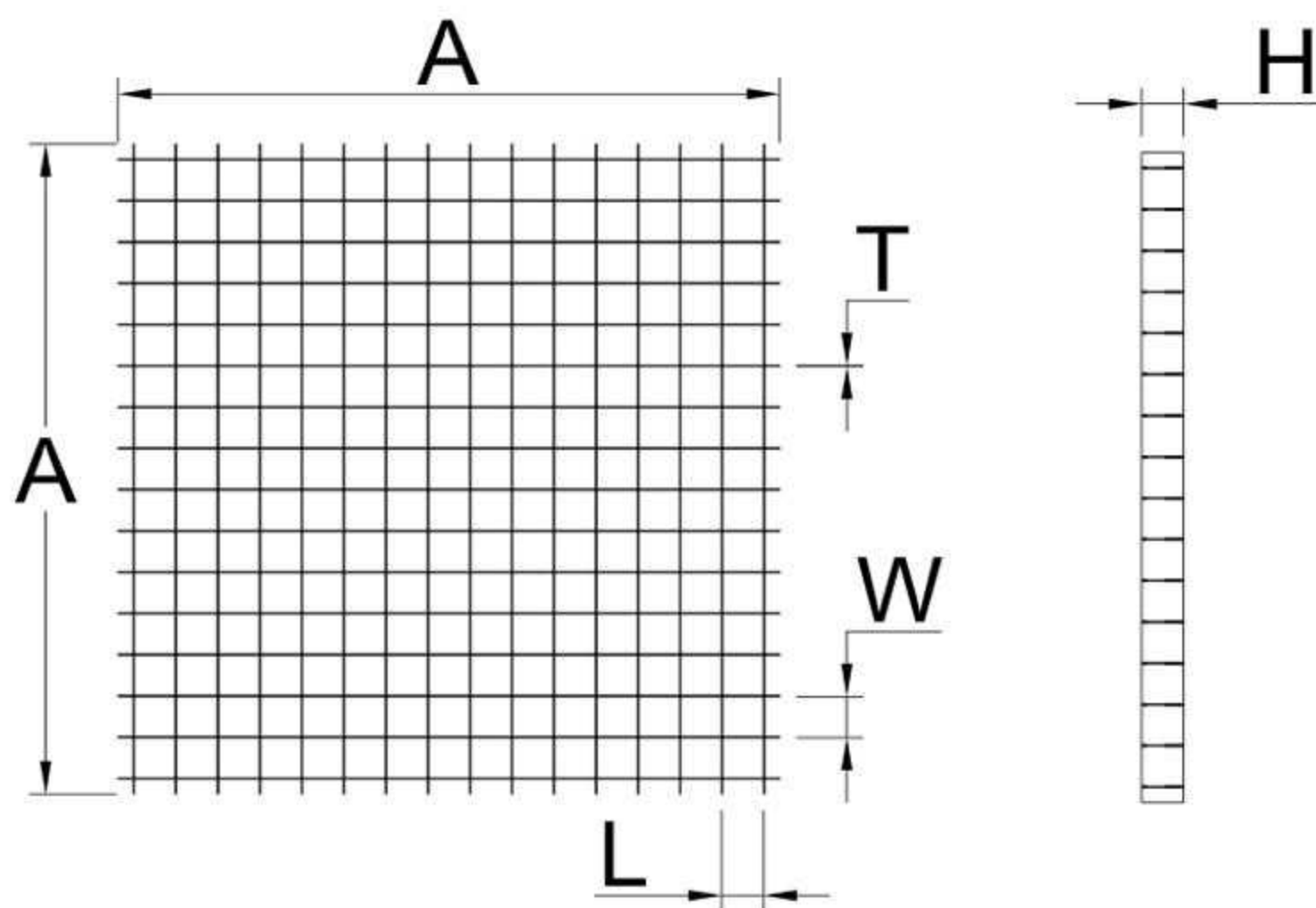
Feature Description

- * Dimensions tolerance is ± 1 mm
- * 0 degree type, air flow can pass directly
- * For grid size 12.7*12.7*12.7, material thickness can be 0.35mm or 0.47mm
- * For grid size 25.4*25.4*25.4, material thickness is 0.65mm
- * Size can be customized
- * Made of aluminum alloy sheet

Accessories(Optional)

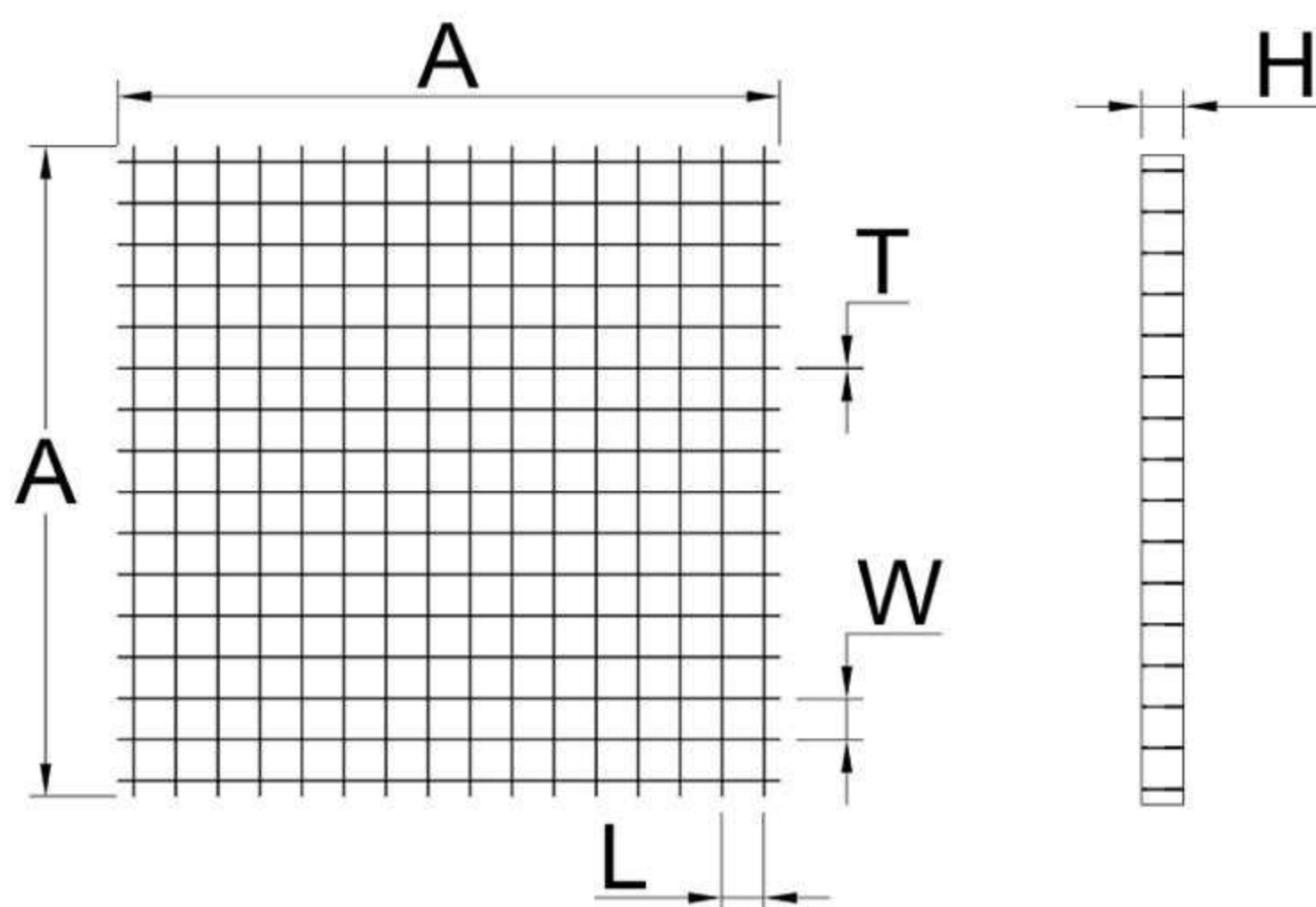
- Mill Finish Powder Coated

ECM35-0



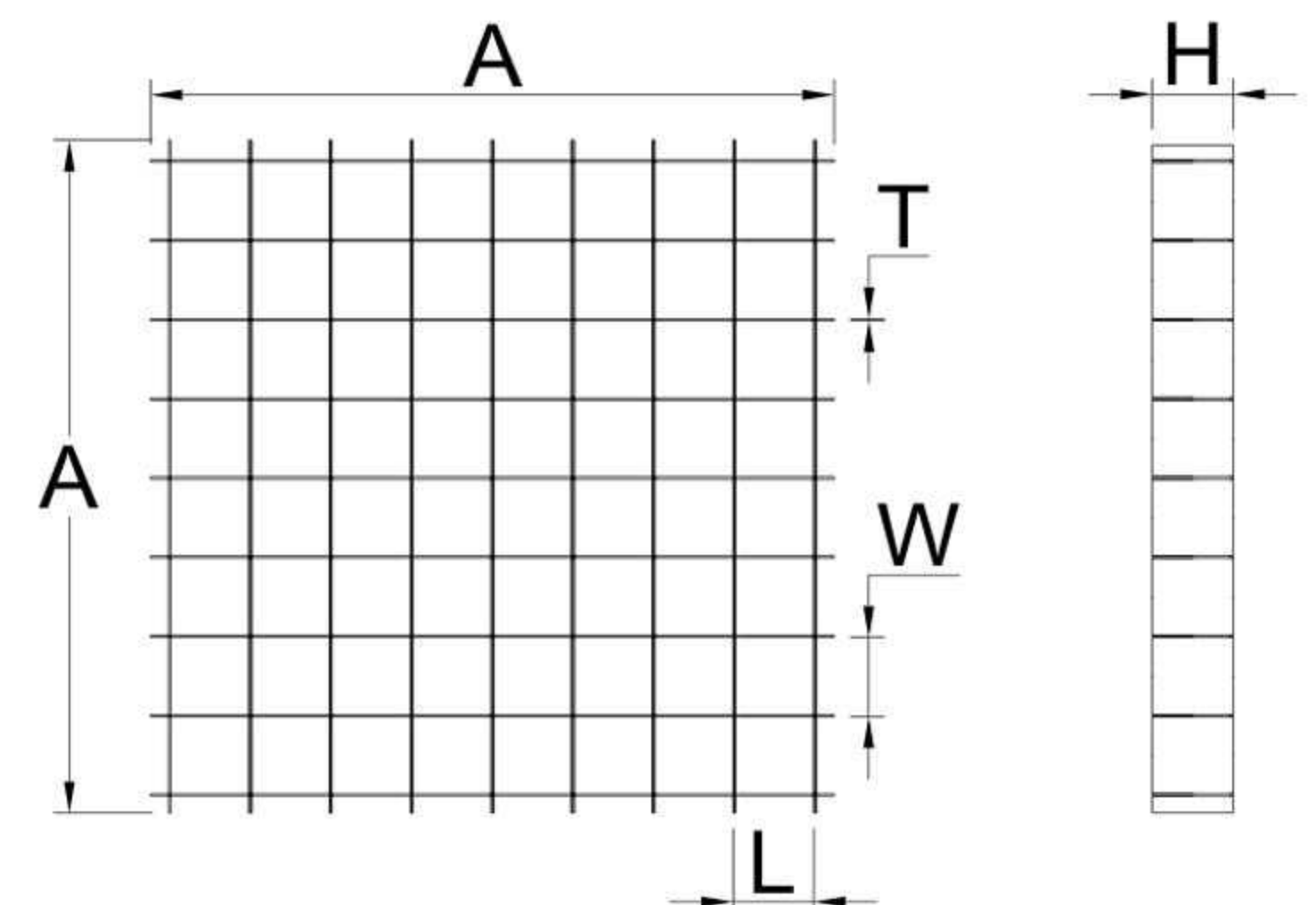
Code	A-A	L*W*H*T
ECM35-0 120600	1200*600	12.7*12.7*12.7*0.35
ECM35-0 122610	1219*610	12.7*12.7*12.7*0.35
ECM35-0 120120	1200*1200	12.7*12.7*12.7*0.35
ECM35-0 122122	1219*1219	12.7*12.7*12.7*0.35

ECM47-0



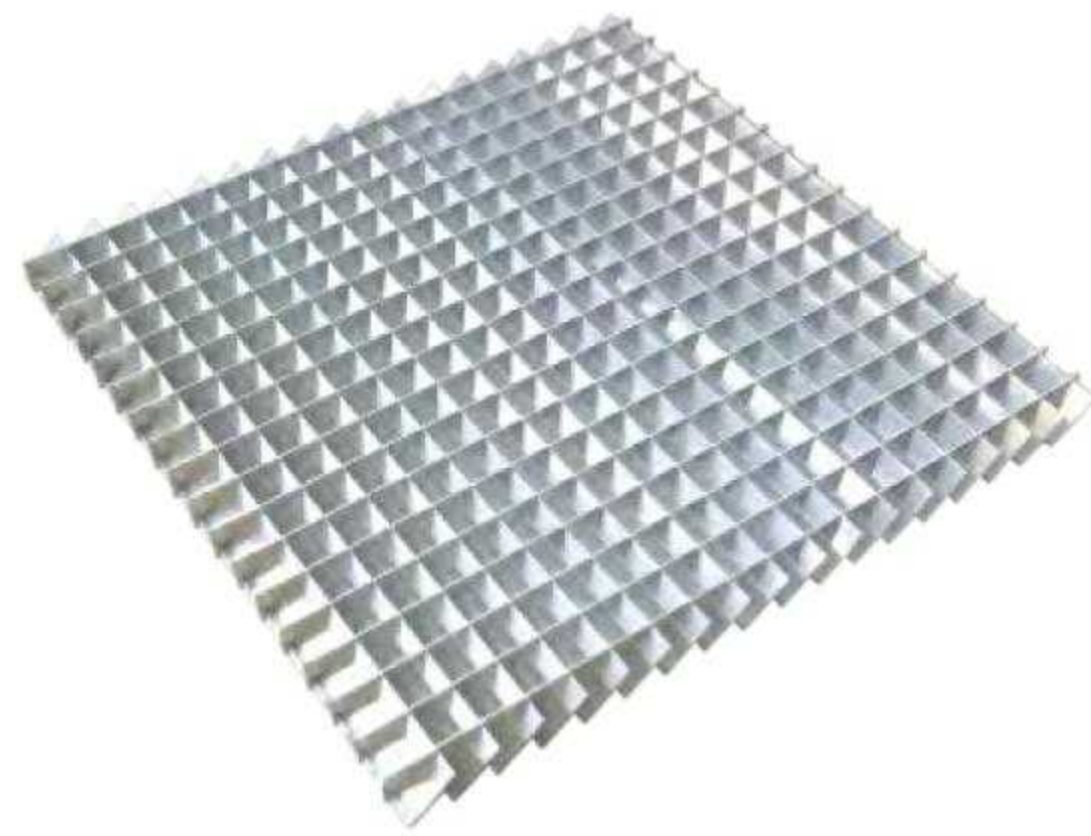
Code	A-A	L*W*H*T
ECM47-0 120600	1200*600	12.7*12.7*12.7*0.47
ECM47-0 122610	1219*610	12.7*12.7*12.7*0.47
ECM47-0 120120	1200*1200	12.7*12.7*12.7*0.47
ECM47-0 122122	1219*1219	12.7*12.7*12.7*0.47

ECM65-0



Code	A-A	L*W*H*T
ECM65-0 120600	1200*600	25.4*25.4*25.4*0.65
ECM65-0 122610	1219*610	25.4*25.4*25.4*0.65
ECM65-0 120120	1200*1200	25.4*25.4*25.4*0.65
ECM65-0 122122	1219*1219	25.4*25.4*25.4*0.65

Aluminum 45 Degree Eggcrate Core (ECM47-45)

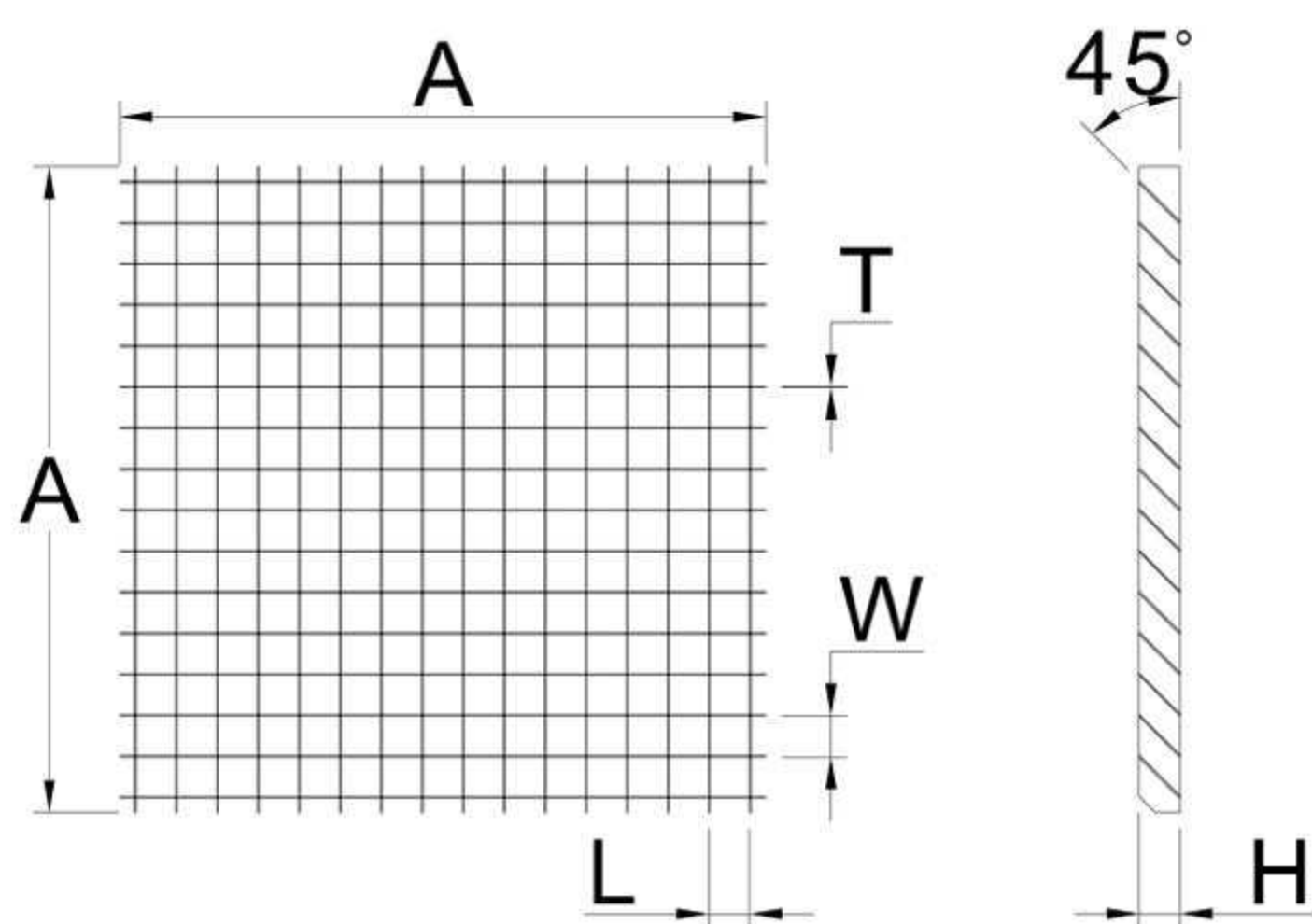


Feature Description

- * Size can be customized
- * Dimensions tolerance is ± 1 mm
- * Made of aluminum alloy sheet
- * Air flow comes out with 45 degree angle
- * For grid size 12.7*12.7*12.7, material thickness is 0.47mm

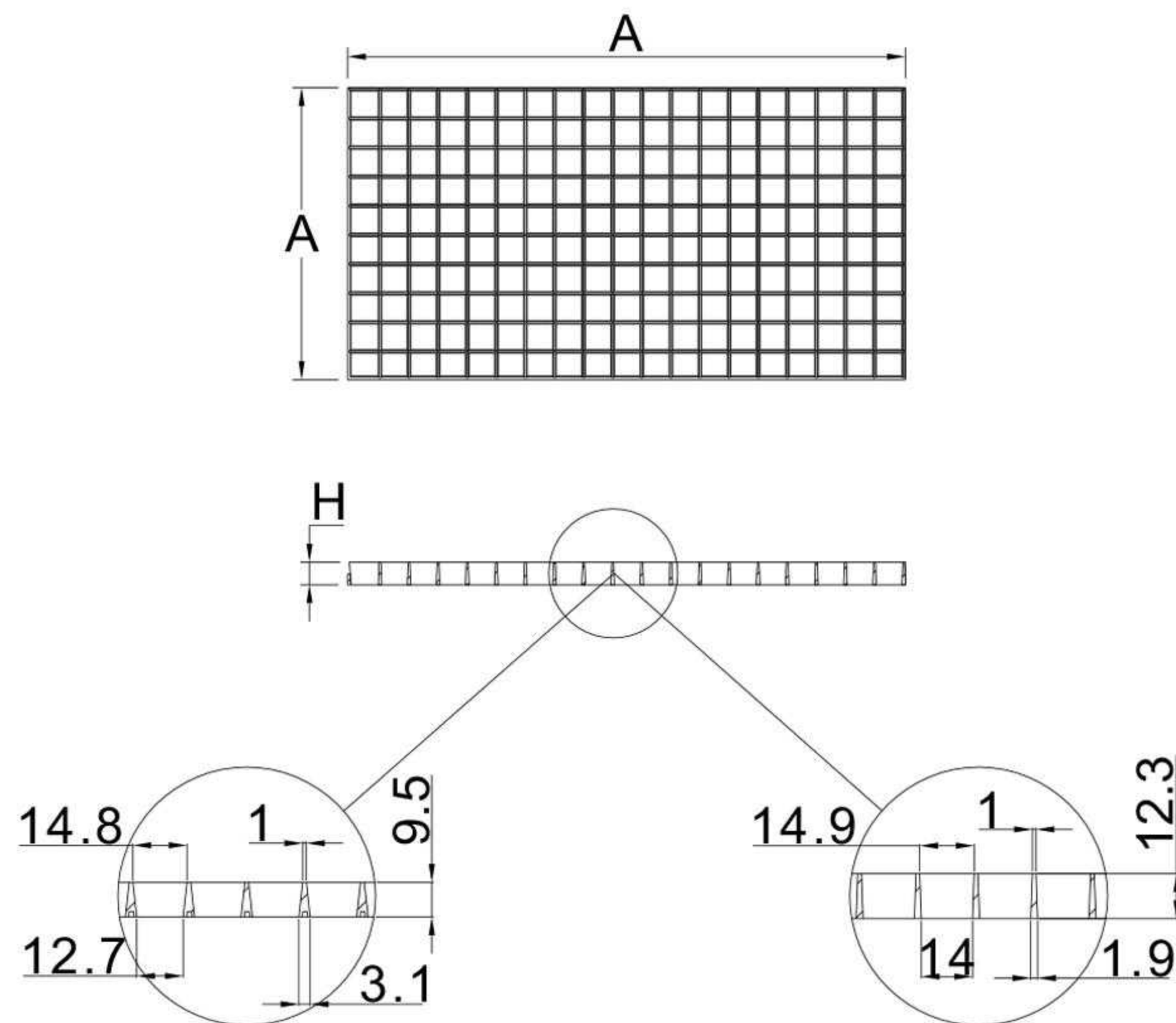
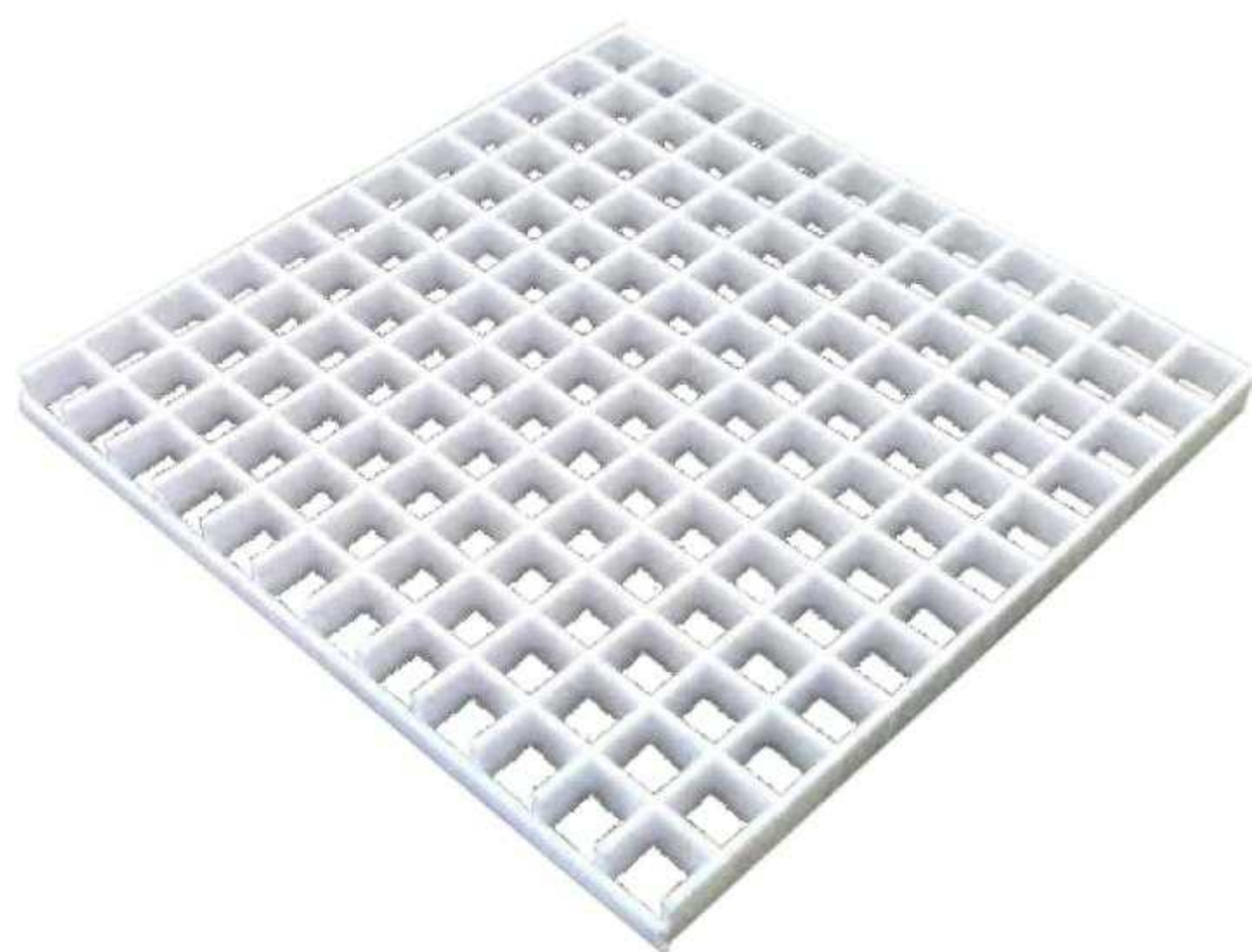
Accessories(Optional)

- Mill Finish
- Powder Coated



Code	A-A	L*W*H*T
ECM47-45 120600	1200*600	12.7*12.7*12.7*0.47
ECM47-45 122610	1219*610	12.7*12.7*12.7*0.47
ECM47-45 120120	1200*1200	12.7*12.7*12.7*0.47
ECM47-45 122122	1219*1219	12.7*12.7*12.7*0.47

Plastic Eggcrate Core



PEC-9.5

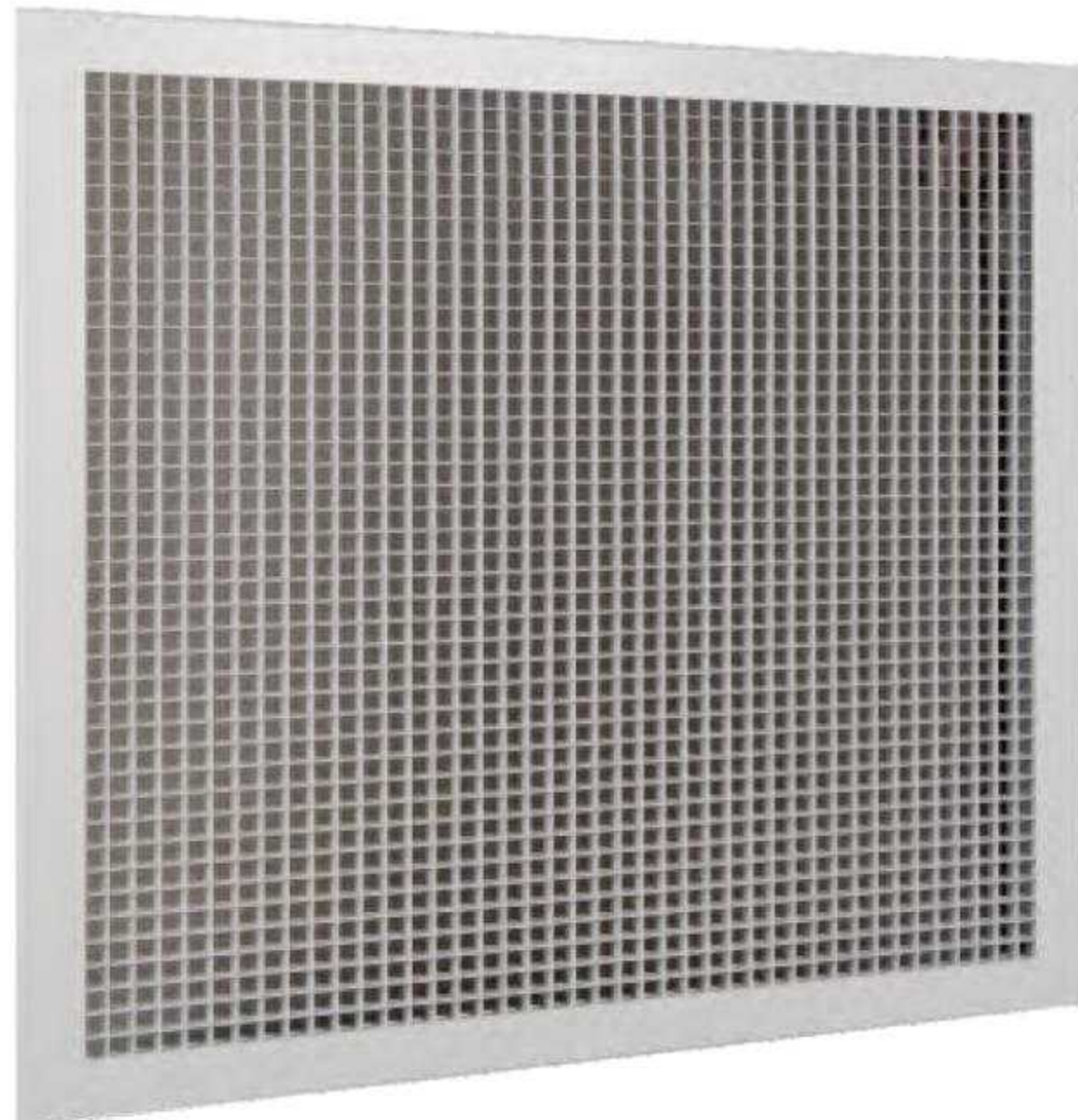
PEC-12.3

Feature Description

- * Size can be customized
- * Made of GPPS & HIPS plastic
- * Dimensions tolerance is ± 1 mm

Code	PEC-9.5		PEC-12.3	
	A-A	H	A-A	H
PEC 121603	1212*603	9.5	1212*603	12.3

Eggcrate Grille (ECGA)

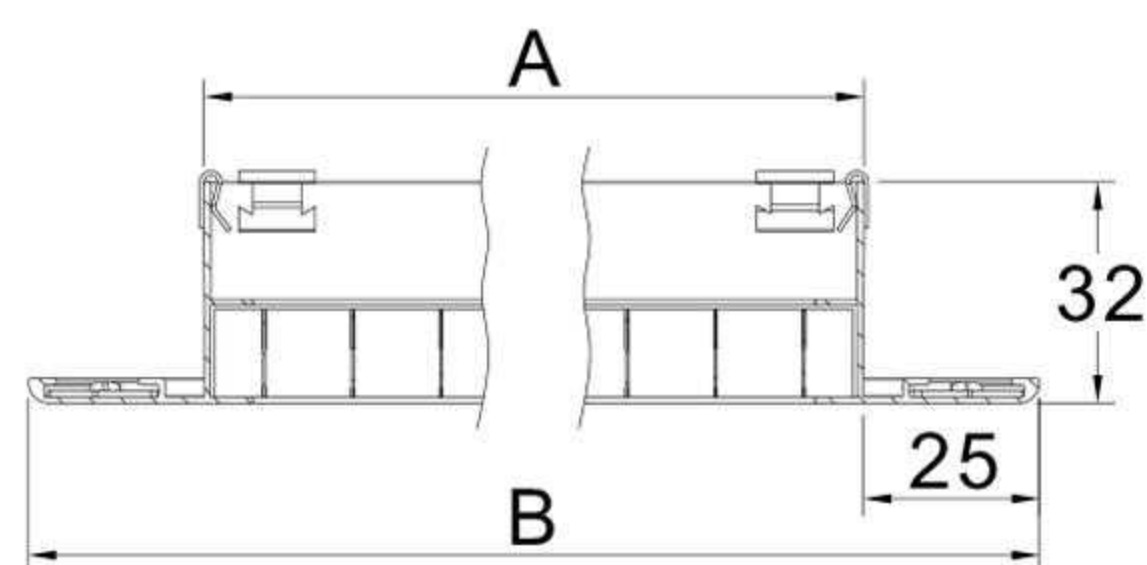


Feature Description

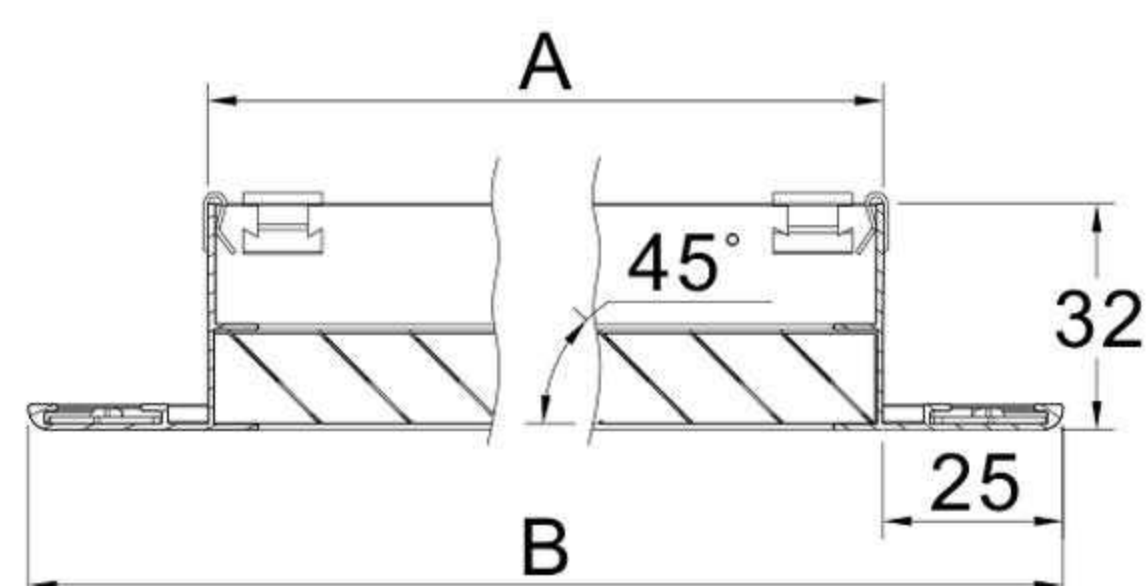
- * Powder coated white
- * Grid size is 12.7*12.7*12.7mm
- * Size can be customized
- * Dimensions tolerance is ± 1 mm
- * The core is fixed can not be taken out
- * The eggcrate core is made of aluminum sheet
- * The frame is made of aluminum profile 6063 T5
- * 0 degree and 45 degree of the egg crate core are available

Accessories(Optional)

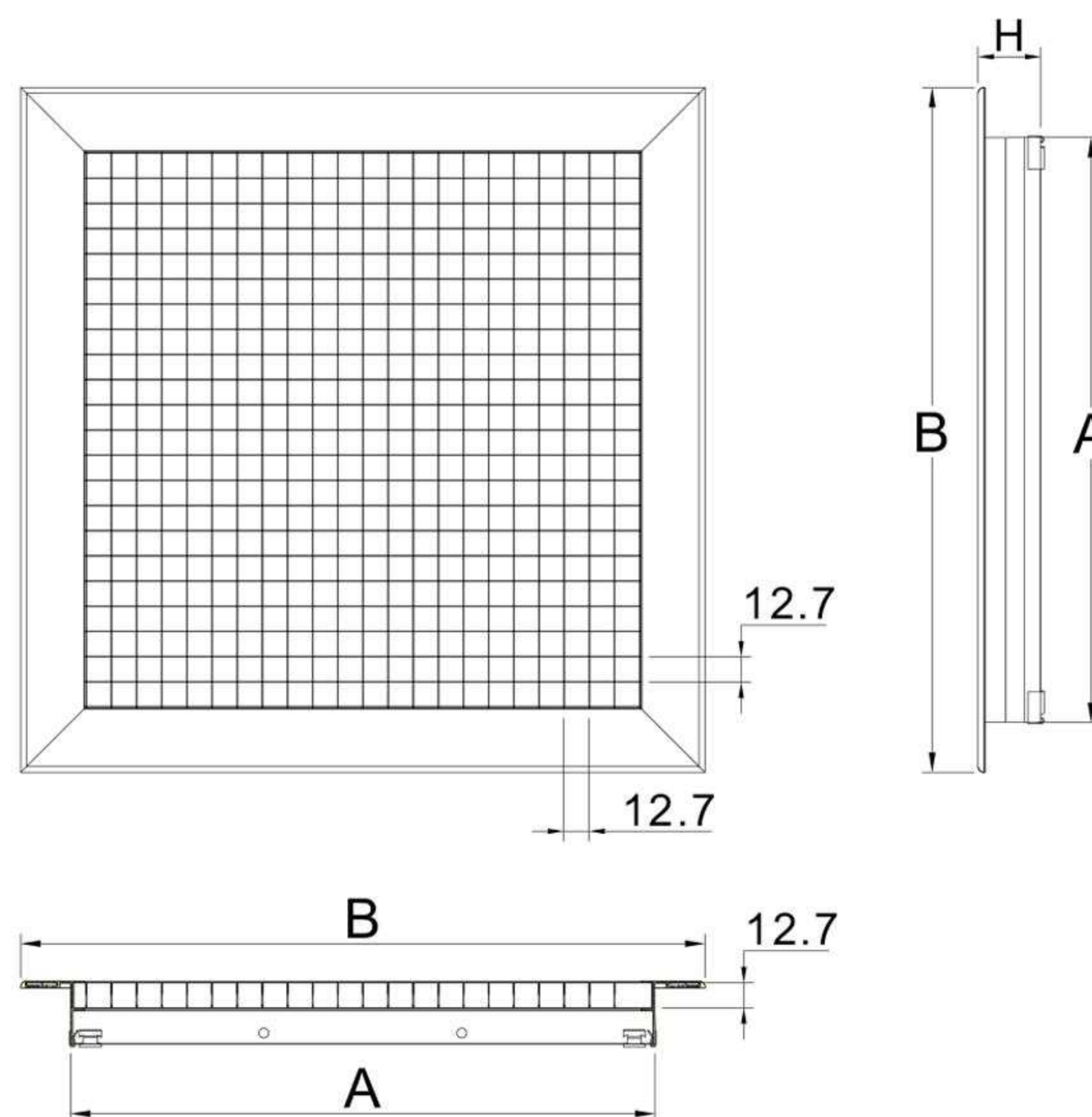
- Neck adaptor with fixing clips
- Neck mounted opposed blade damper (aluminum mill or black)



ECGA-0

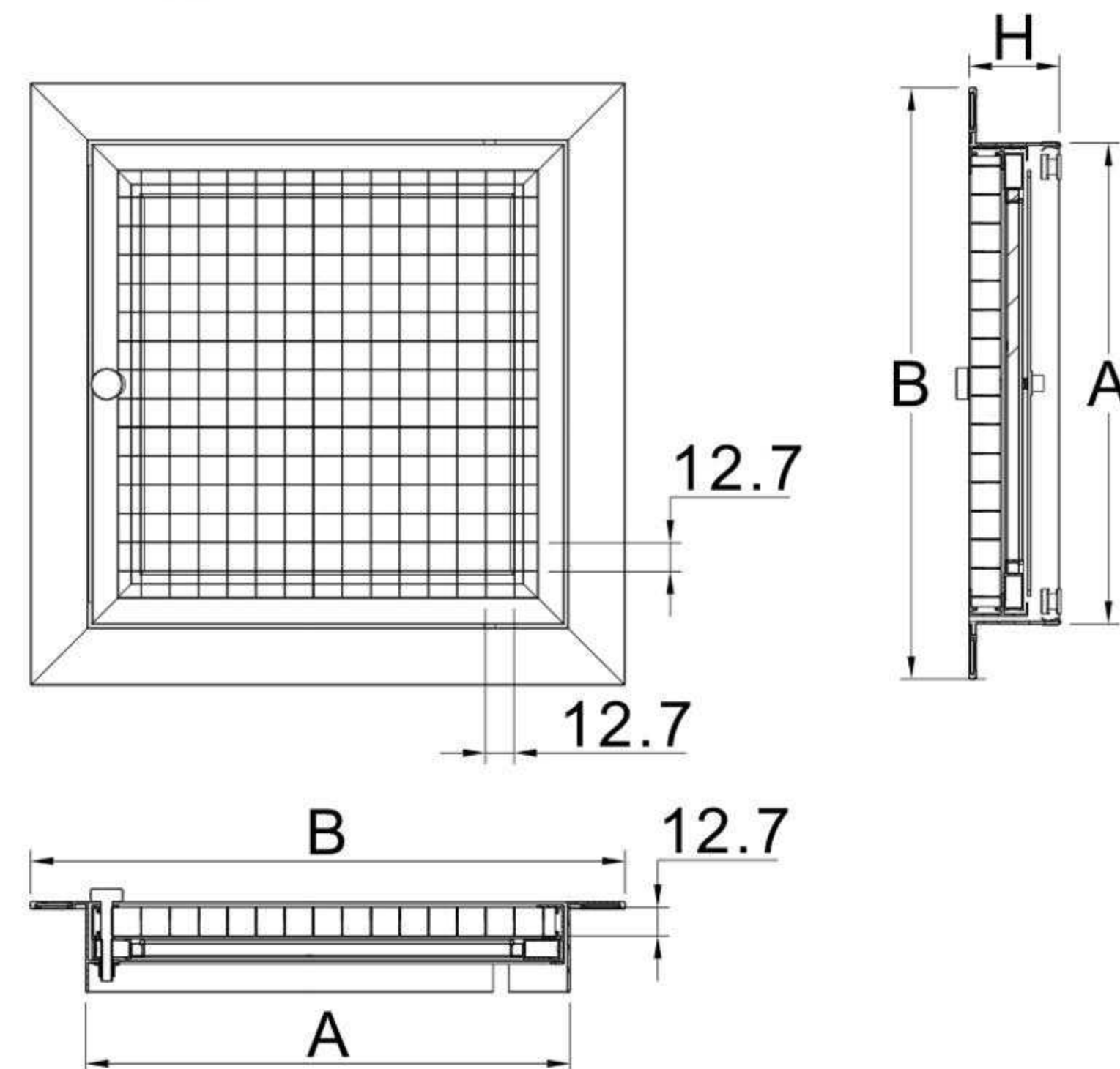


ECGA-45



ECGA-0 Code	ECGA-45 Code	A-A	B-B	ECC(mm)	H
ECGA-0 150150	ECGA-45 150150	145*145	196*196	12.7*12.7*12.7	32
ECGA-0 200200	ECGA-45 200200	195*195	246*246	12.7*12.7*12.7	32
ECGA-0 250250	ECGA-45 250250	245*245	296*296	12.7*12.7*12.7	32
ECGA-0 300300	ECGA-45 300300	295*295	346*346	12.7*12.7*12.7	32
ECGA-0 350350	ECGA-45 350350	345*345	396*396	12.7*12.7*12.7	32
ECGA-0 400400	ECGA-45 400400	395*395	446*446	12.7*12.7*12.7	32
ECGA-0 595595F	ECGA-45 595595F	544*544	595*595	12.7*12.7*12.7	32

Eggcrate Hinged Polyester Filter (EGHF-P)



Code	A-A	B-B	H
EGHF-P 300300	295*295	344*344	40
EGHF-P 500500	495*495	544*544	40
EGHF-P 600400	595*395	644*444	40
EGHF-P 600450	595*445	644*494	40
EGHF-P 600500	595*495	644*544	40
EGHF-P 600550	595*545	644*594	40
EGHF-P 700400	695*395	744*444	40
EGHF-P 700500	695*495	744*544	40
EGHF-P 700550	695*545	744*594	40
EGHF-P 700700	695*695	744*744	40
EGHF-P 750400	745*395	794*444	40
EGHF-P 750450	745*445	794*494	40
EGHF-P 800500	795*495	844*544	40
EGHF-P 800600	795*595	844*644	40
EGHF-P 900400	895*395	944*444	40
EGHF-P 900450	895*445	944*494	40
EGHF-P 100400	995*395	1044*444	40
EGHF-P 120400	1195*395	1244*444	40
EGHF-P 150400	1495*395	1544*444	40
EGHF-P 595595F	546*546	594*595	40
EGHF-P 119595F	1146*546	1195*595	40

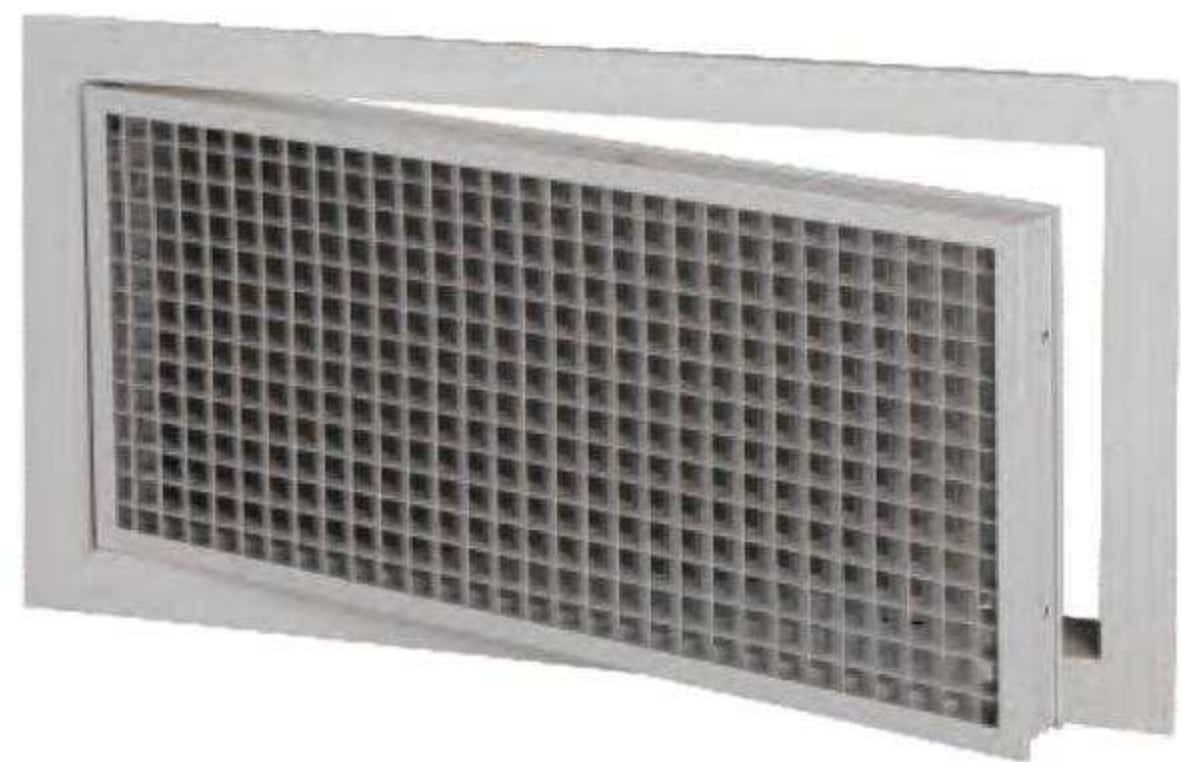
Feature Description

- * Powder coated white
- * Size can be customized
- * Grid size is 12.7*12.7*12.7mm
- * Dimensions tolerance is ± 1 mm
- * The filter inside is washable and replaceable
- * The frame is made of aluminum profile 6063 T5
- * Black or white G4 grade polyester filter is standard
- * The grille core is removable and locked by a screw on the face
- * The eggcrate core is made of aluminum sheet

Accessories(Optional)

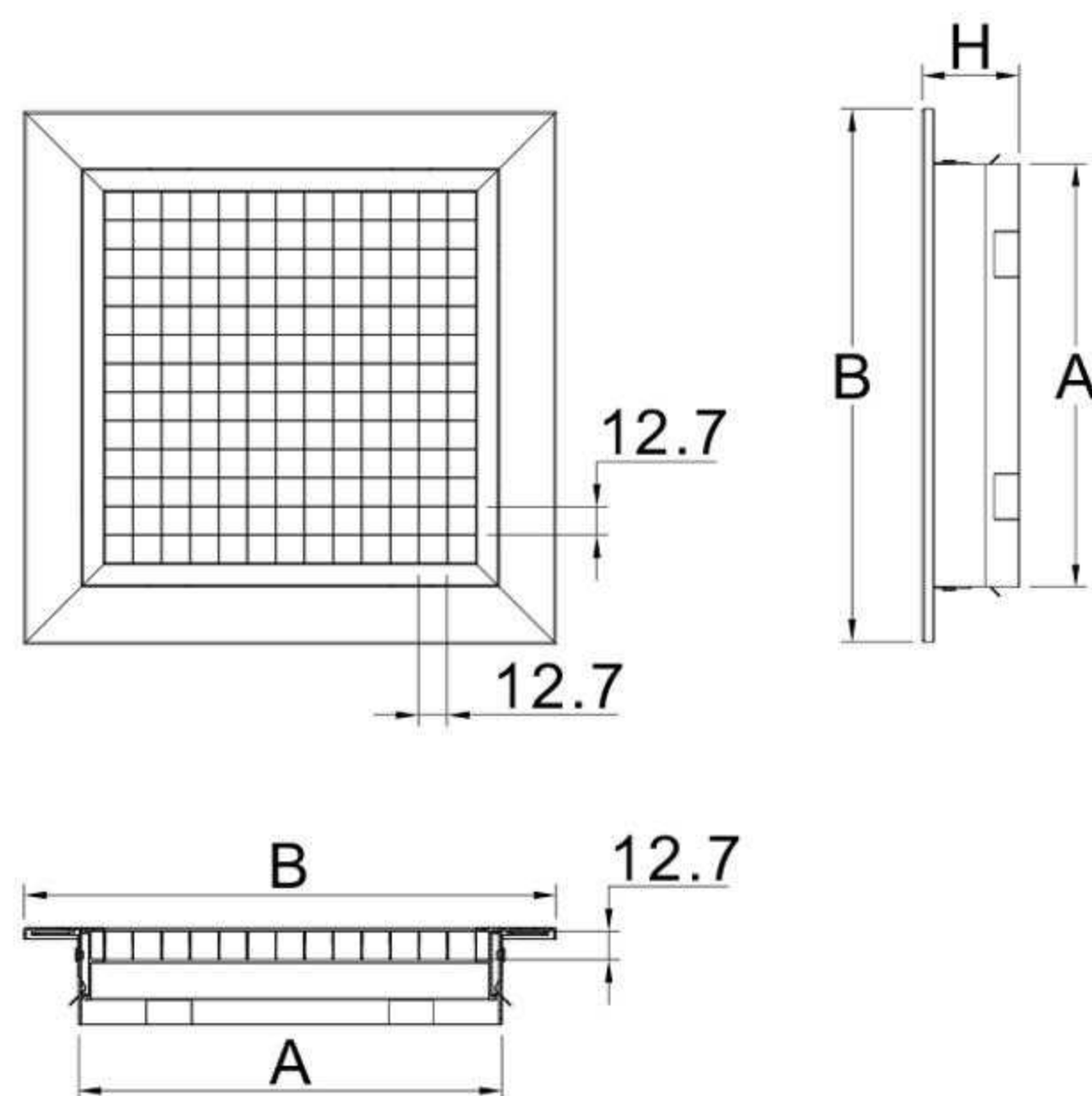
- Black nylon filter
- 45° eggcrate core
- Rubber insulated return air boxes

Eggcrate Grille Removable Core (ECR)



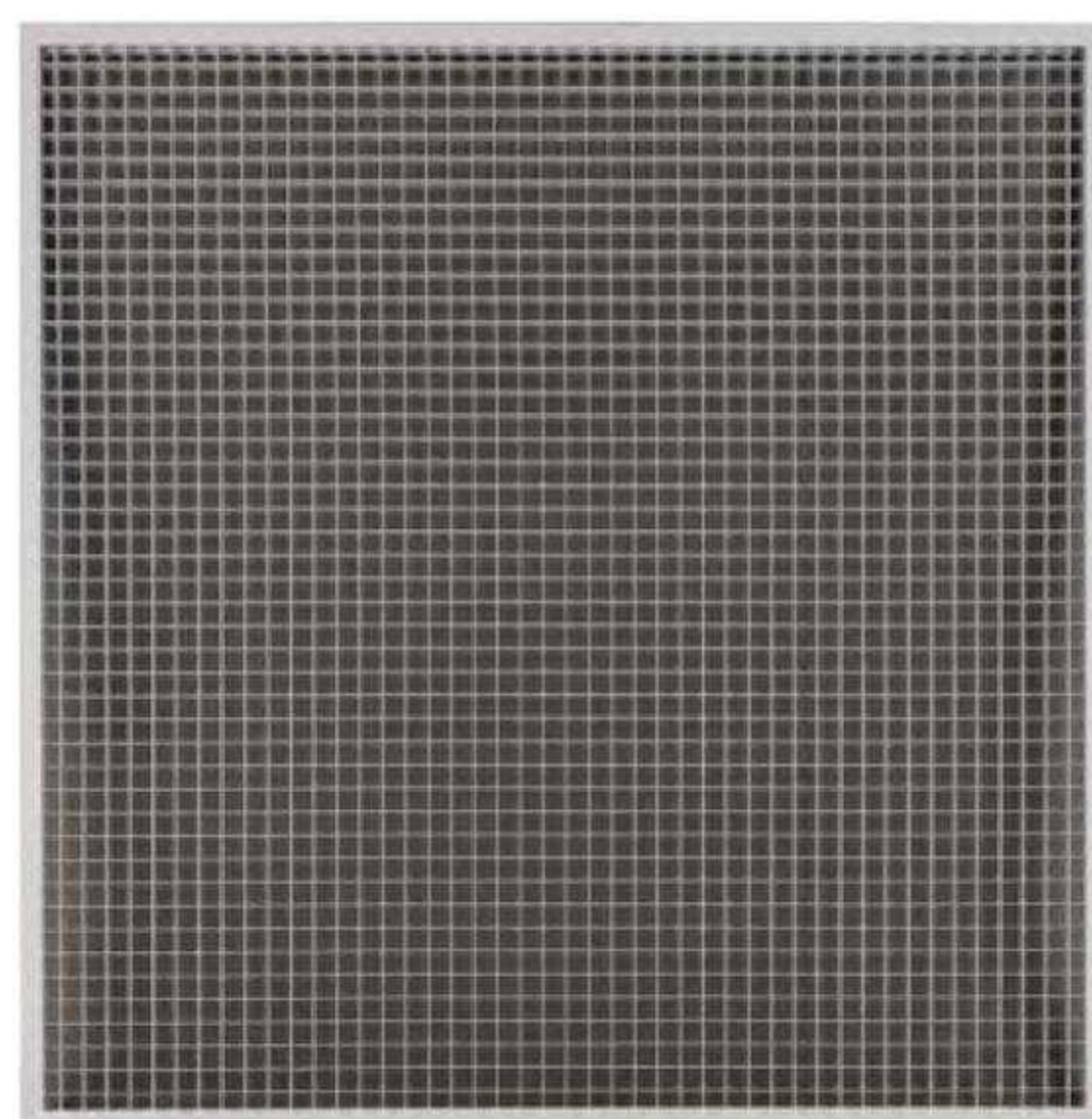
Feature Description

- * Powder coated white
- * Size can be customized
- * Dimensions tolerance is ± 1 mm
- * The eggcrate core is made of aluminum sheet
- * The frame is made of aluminum profile 6063 T5
- * 0 degree and 45 degree of the egg crate core are available
- * The core is removable
- * Grid size is 12.7*12.7*12.7mm



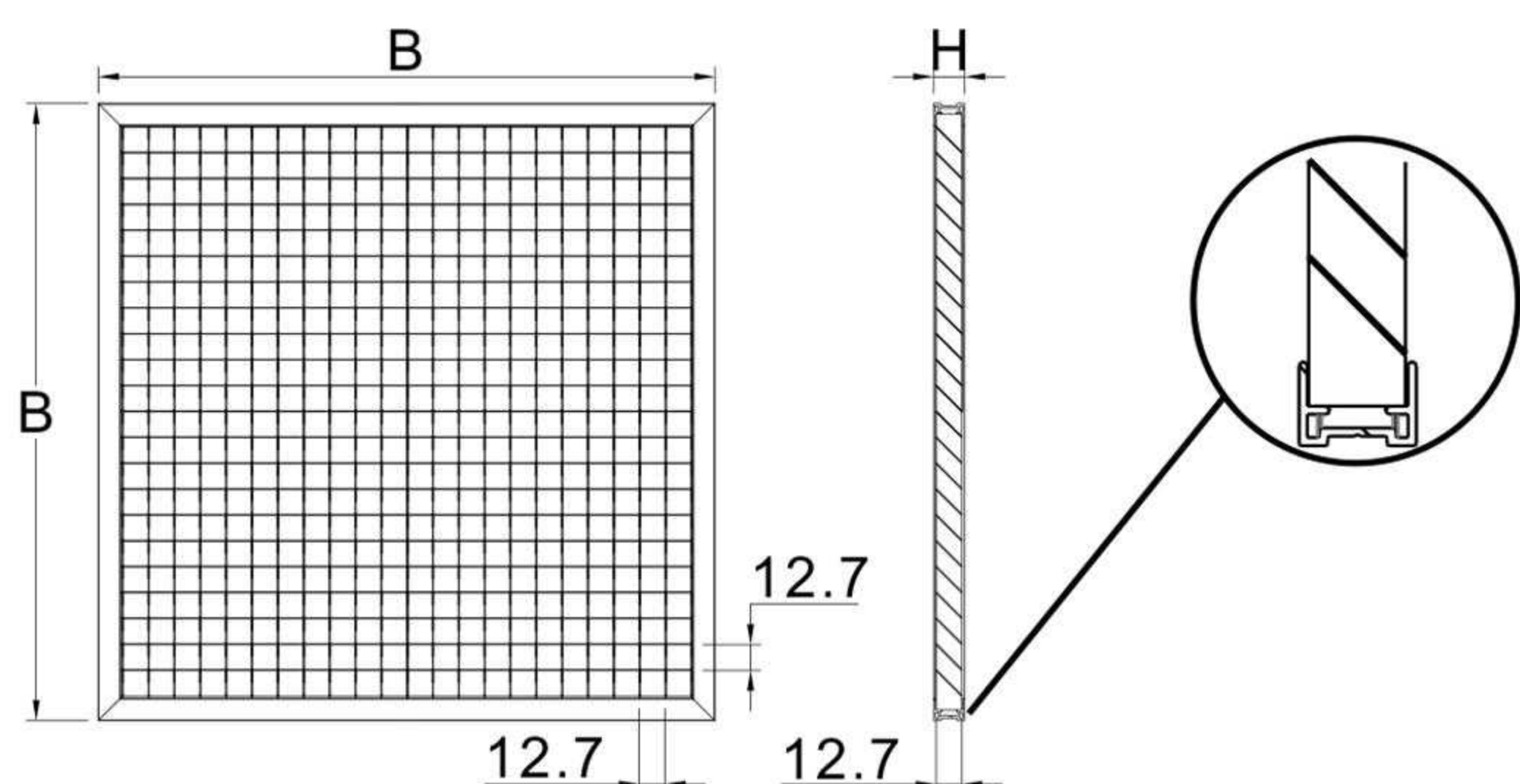
Code	A-A	B-B	H
ECR 150150	145*145	194*194	43
ECR 250250	245*245	294*294	43
ECR 300300	295*295	344*344	43
ECR 350350	345*345	394*394	43
ECR 595595F	546*546	595*595	43

U Frame Eggcrate Grille (ECU)



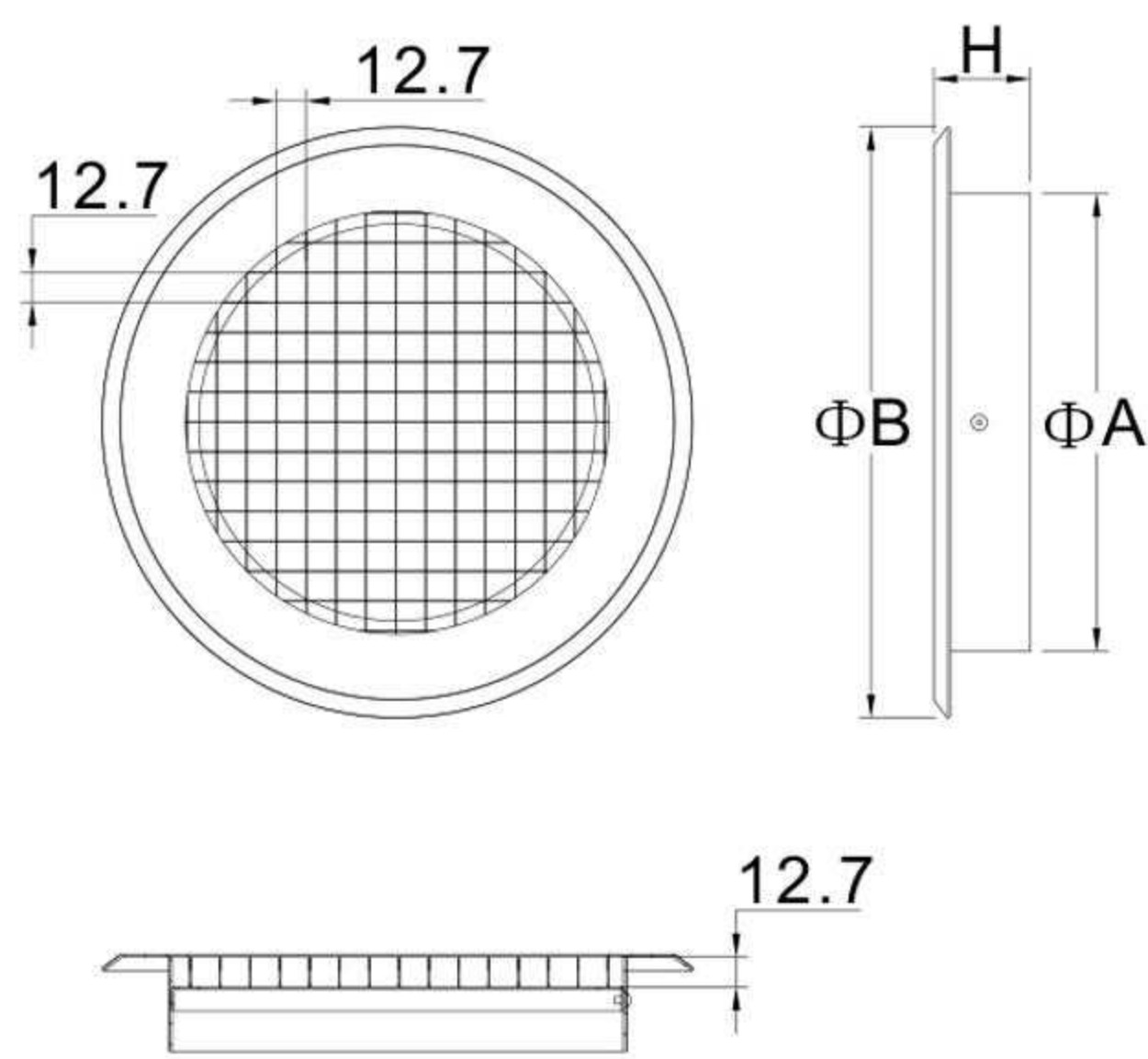
Feature Description

- * Powder coated white
- * Size can be customized
- * The core is fixed can not be taken out
- * The eggcrate core is made of aluminum sheet
- * The frame is made of aluminum profile 6063 T5
- * 0 degree and 45 degree of the egg crate core are available
- * Grid size is 12.7*12.7*12.7mm
- * Dimensions tolerance is ± 1 mm



Code	B-B	H
ECU 595295	595*295	15.4
ECU 595595	595*595	15.4
ECU 119595	1195*595	15.4

Round Eggcrate Grille (REG-A)



Feature Description

- * The frame is made of aluminum sheet
- * The eggcrate core is made of aluminum sheet
- * 0 degree and 45 degree of the egg crate core are available
- * Powder coated white * Grid size is 12.7*12.7*12.7mm

Code	ΦA	ΦB	H
REG-A 100	Φ95	Φ150	40
REG-A 125	Φ120	Φ175	40
REG-A 150	Φ145	Φ200	40
REG-A 200	Φ195	Φ250	40
REG-A 250	Φ245	Φ300	40
REG-A 300	Φ295	Φ350	40
REG-A 315	Φ310	Φ365	40