

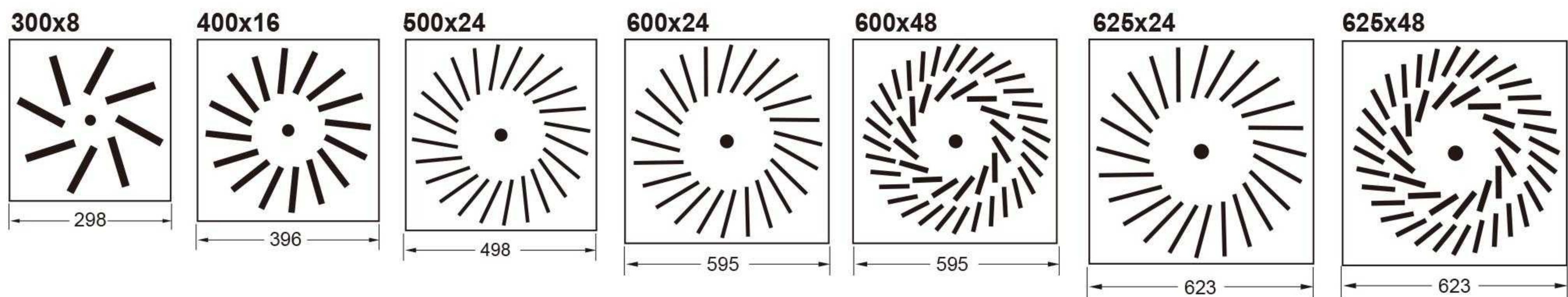
Swirl Diffuser (SD-CA)



Specification:

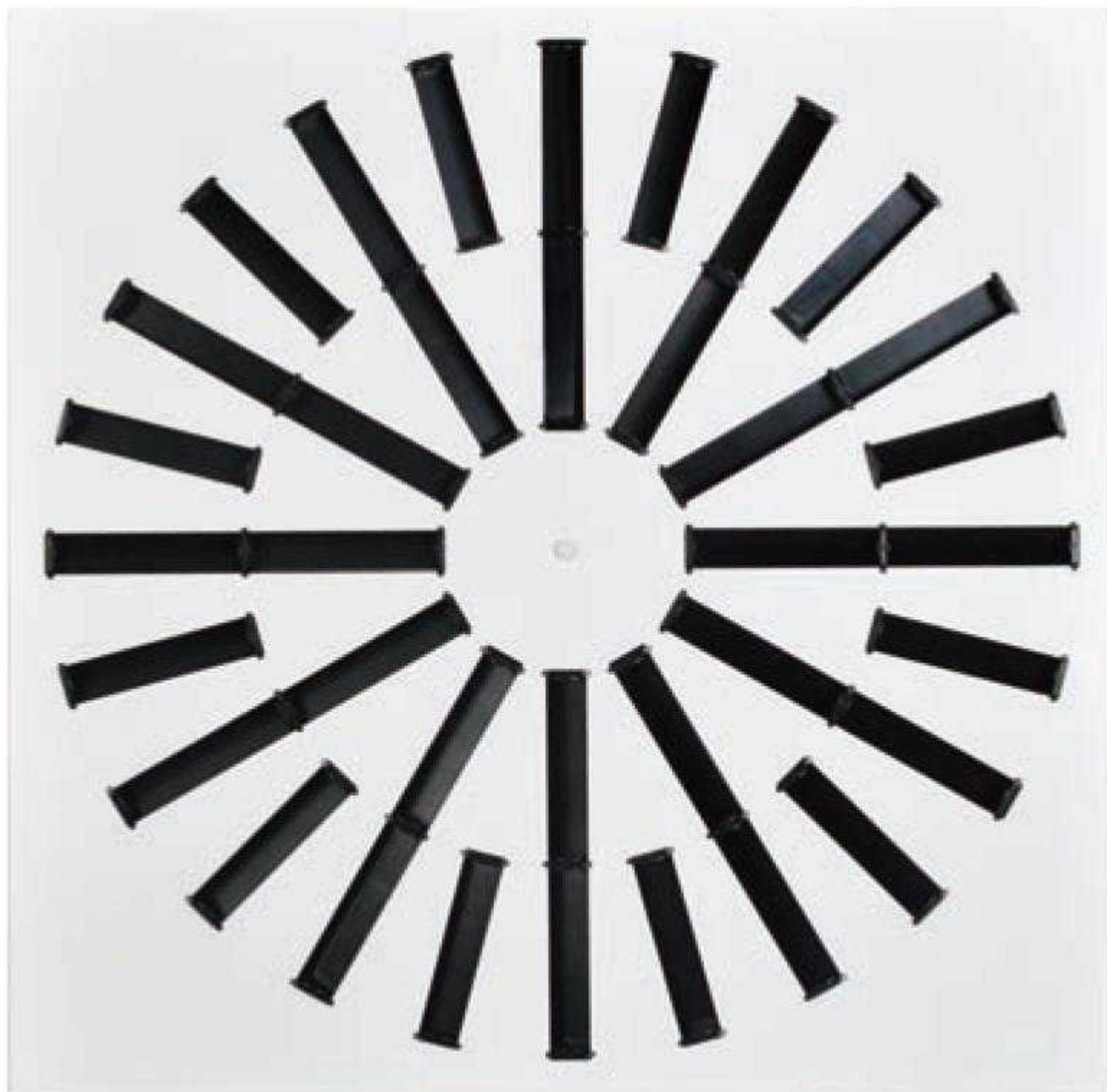
- Swirl diffuser with plastic adjustable blades (spiral-shape)
- Material: SPCC steel.
- Finish: RAL9010, RAL9016 or RAL9003, as per customer request.
- The swirl diffuser SD-CA be used for either supply or exhaust air application.
- Control blades are made from polystyrol, with black as standard or white on request.
- All sizes are suitable for flush mounting into a ceiling.

Dimension:

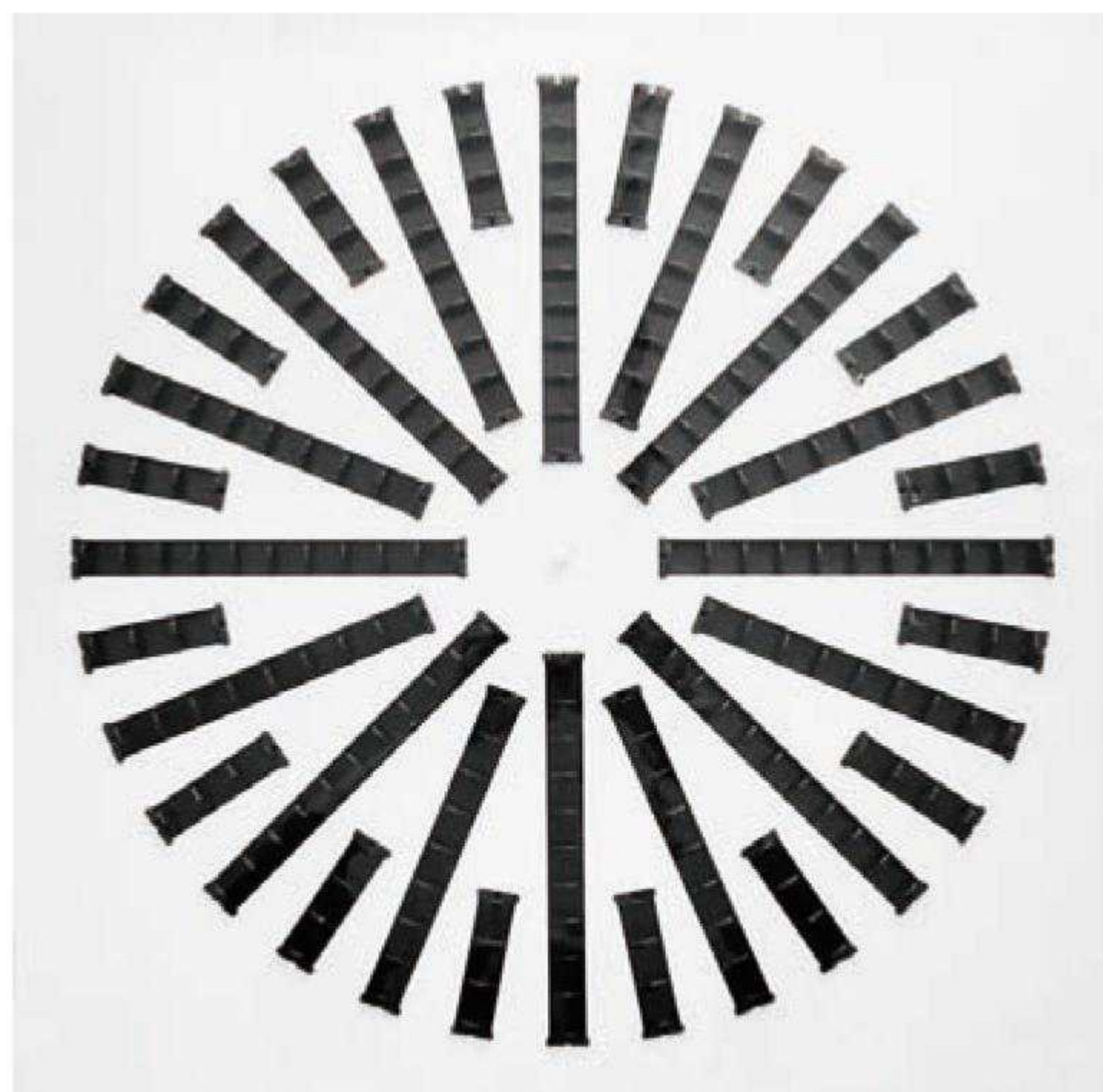


Item code	Face size (mm)	Slot number
SD-CA 300/08	298x298	8
SD-CA 400/16	396x396	16
SD-CA 500/24	498x498	24
SD-CA 600/24	595x595	24
SD-CA 600/48	595x595	48
SD-CA 625/24	623x623	24
SD-CA 625/48	623x623	48

Swirl Diffuser (SD-CB)



SD-CB 600/24

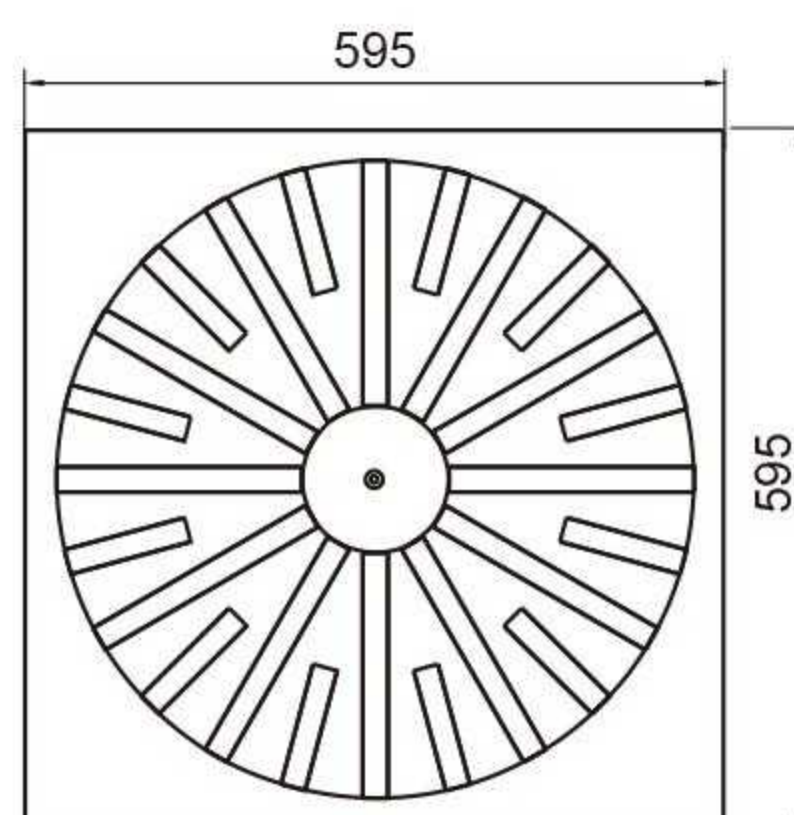


SD-CB 600/48

Specification:

- Swirl diffuser with plastic adjustable blades (star-shape).
- Material: SPCC steel.
- Finish: RAL9010, RAL9016 or RAL9003, as per customer request.
- The swirl diffuser SD-CB be used for either supply or extract air application.
- Control blades are made from polystyrol, with black as standard or white on request.
- All sizes are suitable for flush mounting into a ceiling.

Dimension:



Item code	Face size(mm)	Slot number
SD-CB 600/24	595x595	24
SD-CB 600/48	595x595	48

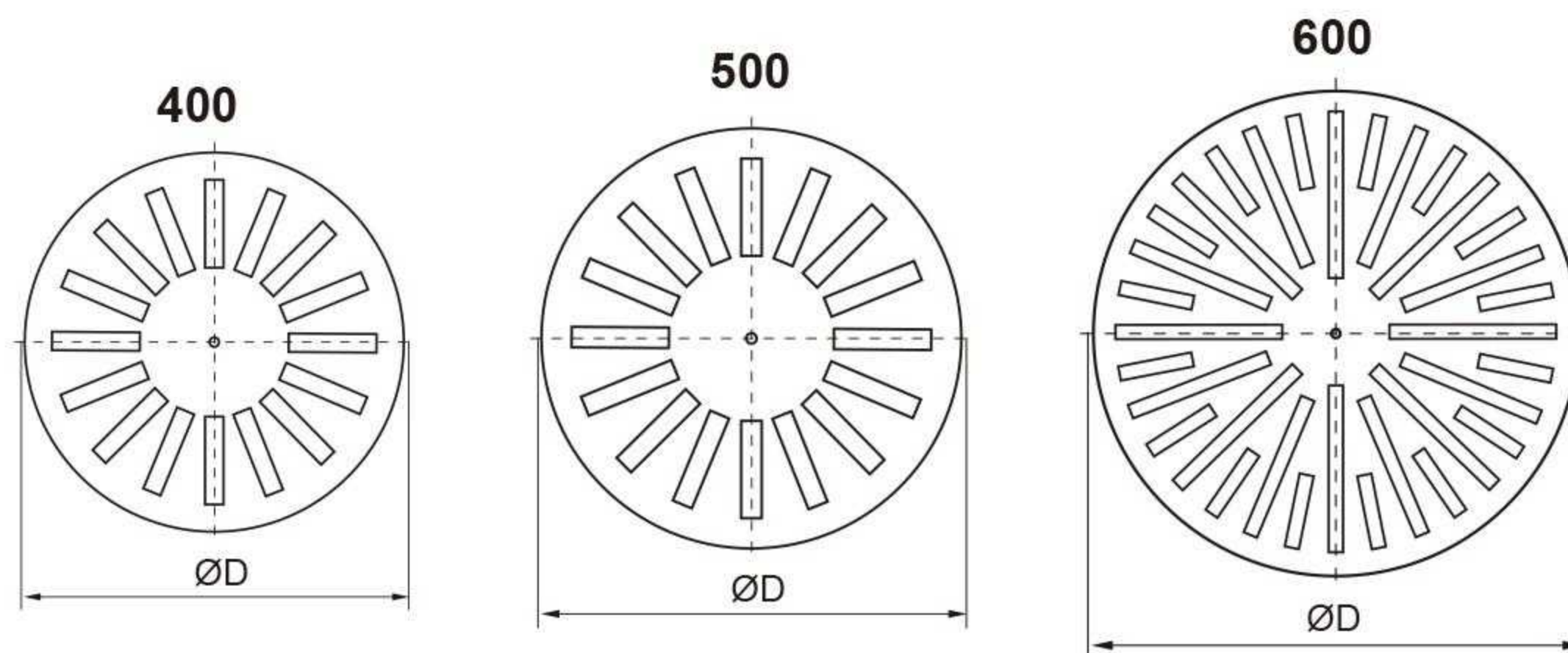
Round Swirl Diffuser (RSD)



Specification:

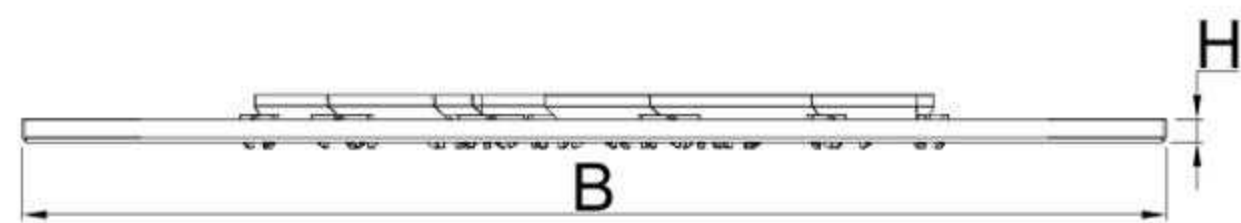
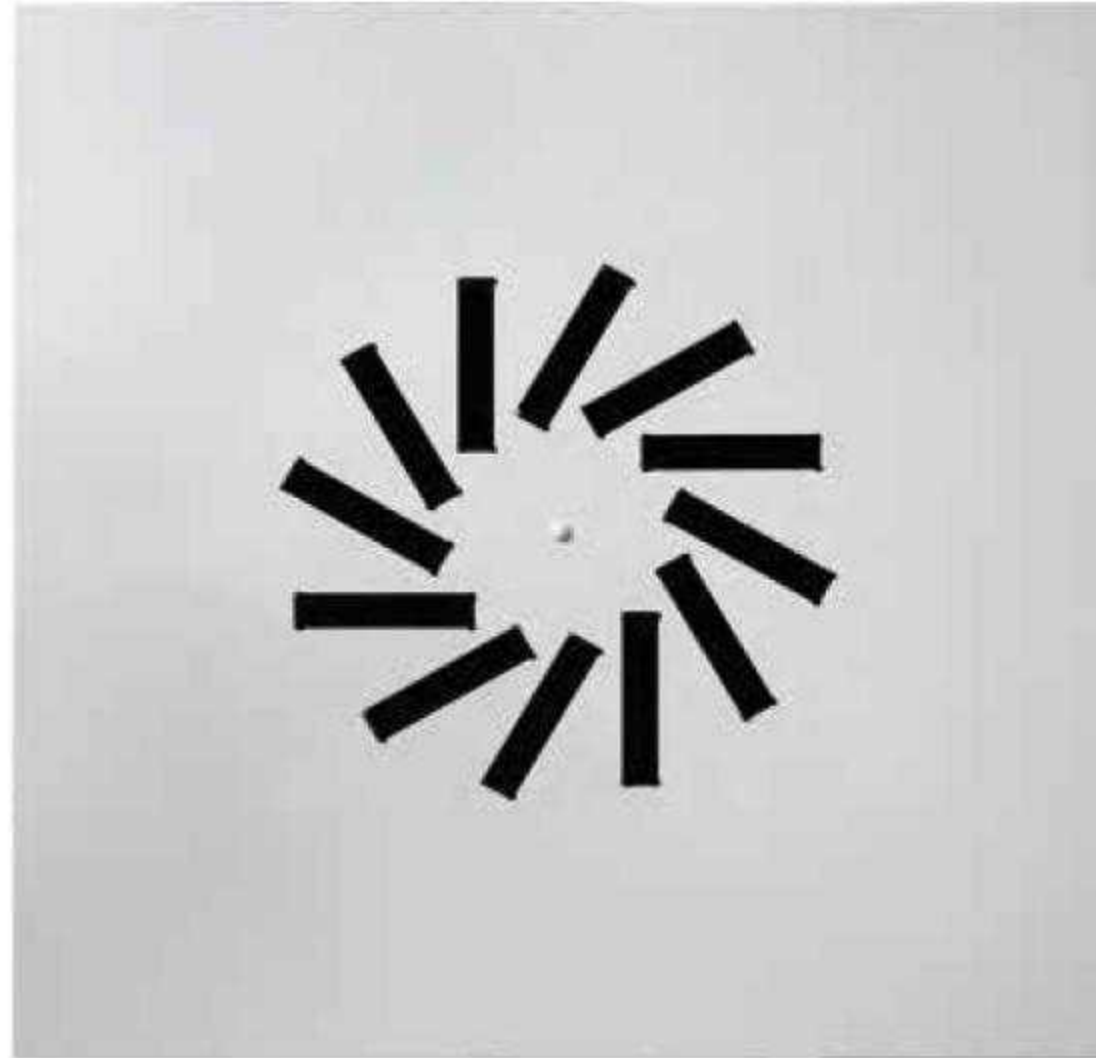
- Round swirl diffuser with metal adjustable blades (star-shape).
- Material: SPCC steel.
- Finish: RAL9010, RAL9016 or RAL9003, as per customer request.
- Each intake is with two fastening screws M6x40 and M6x100, screw head cap, screw hole cap and self-adhesive foam washer.

Dimension:



Item code	ØD(mm)	Slot number
RSD 400	400	16
RSD 500	500	16
RSD 600	600	32

Swirl Diffuser Adjustable Blades (SDA-12)



Feature Description

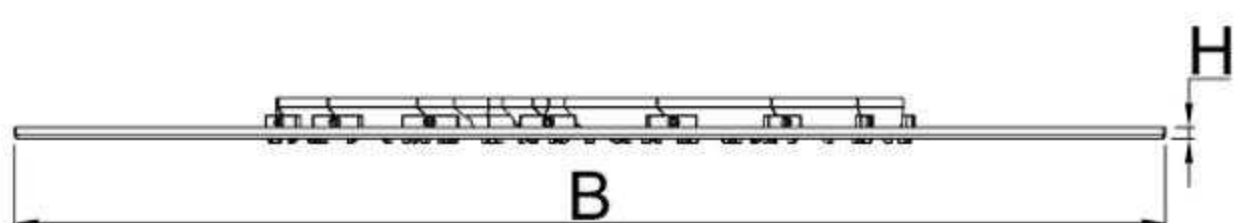
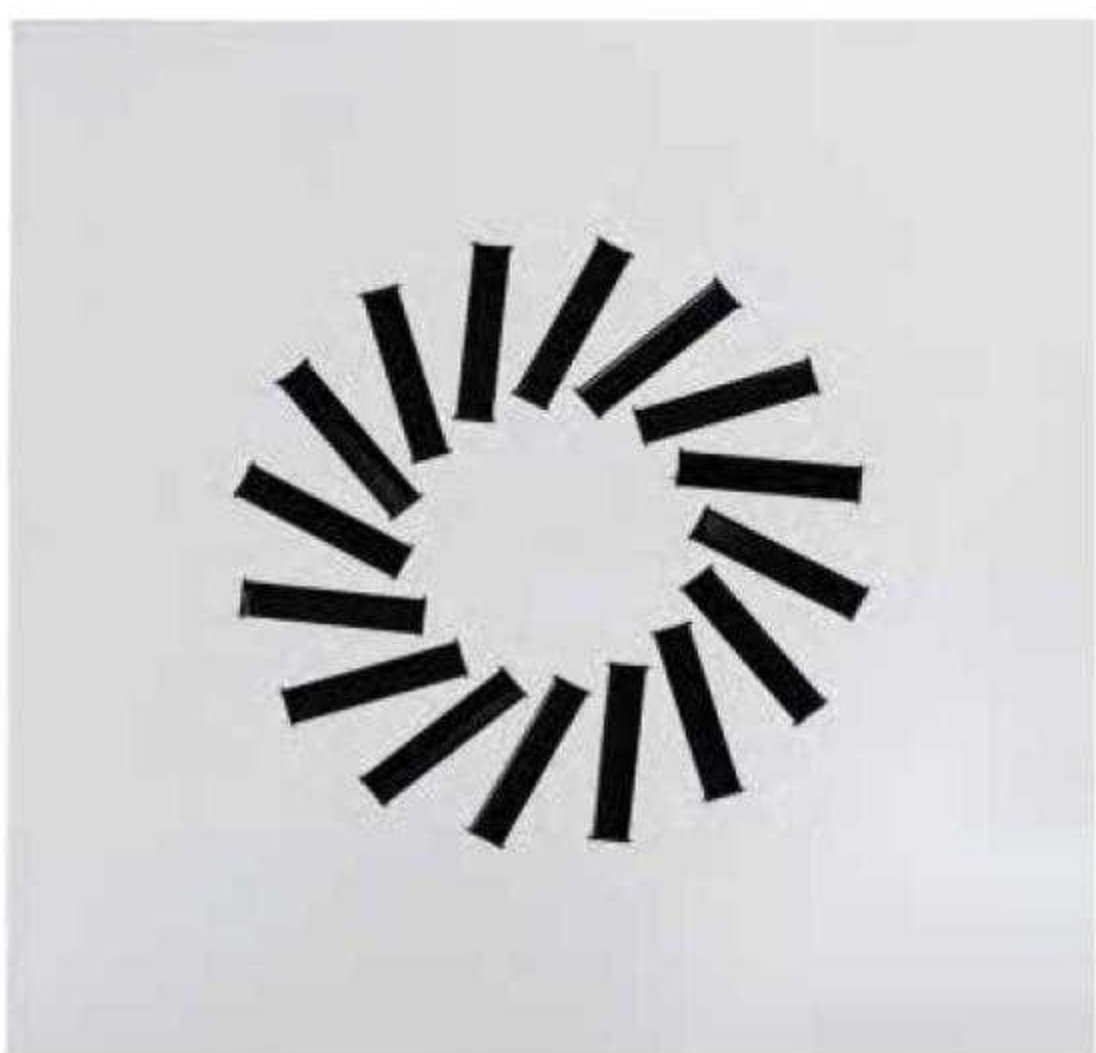
- * Powder coated white
- * 0.4mm thick metal blades with black color
- * M6x100mm countersunk head central fixing screw
- * Individually adjustable blades to meet different air pattern
- * The diffuser face is made of galvanized steel 1.0 mm thick

Accessories(Optional)

- 10x10mm black gasket
- Silicone plug for centre hole
- Plenum box with bracket
- Plastic plug for screw head

Code	B-B	H	Blades
SDA-12 395/12	395*395	10	12
SDA-12 495/12	495*495	10	12
SDA-12 595/12	595*595	10	12

Swirl Diffuser Adjustable Blades (SDA-16)



Feature Description

- * Powder coated white
- * 0.4mm thick metal blades with black color
- * M6x100mm countersunk head central fixing screw
- * Individually adjustable blades to meet different air pattern
- * The diffuser face is made of galvanized steel 1.0 mm thick

Accessories(Optional)

- 10x10mm black gasket
- Silicone plug for centre hole
- Plenum box with bracket
- Plastic plug for screw head

Code	B-B	H	Blades
SDA-16 395/16	395*395	10	16
SDA-16 495/16	495*495	10	16
SDA-16 595/16	595*595	10	16

Swirl Diffuser Adjustable Blades With Plenum Box (SDA-24B)

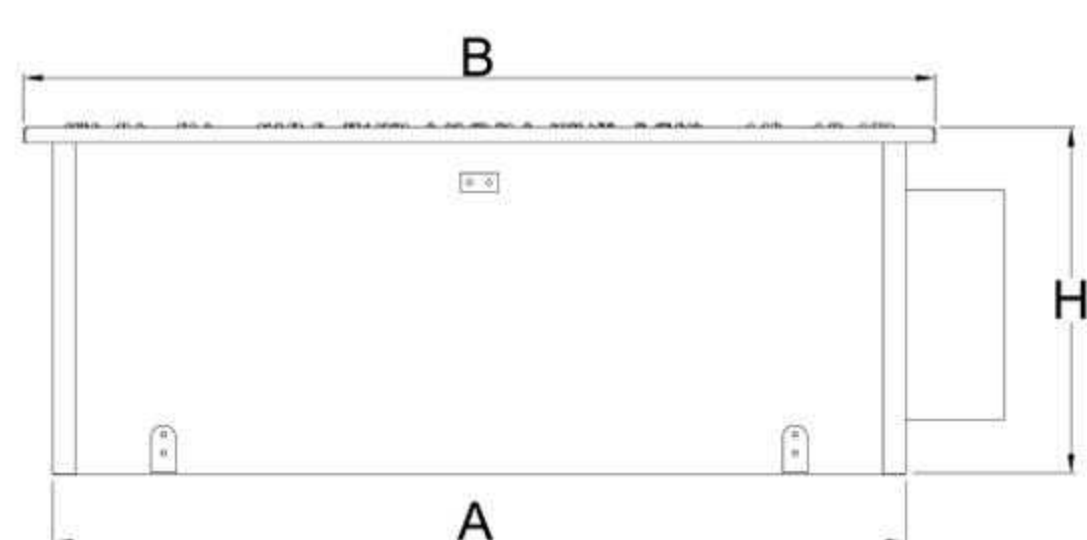


Feature Description

- * Powder coated white
- * Black individually control blades
- * 0.4mm thick metal blades with black color
- * M6x100mm countersunk head central fixing screw
- * Individually adjustable blades to meet different air pattern
- * The diffuser face is made of galvanized steel 1.0 mm thick

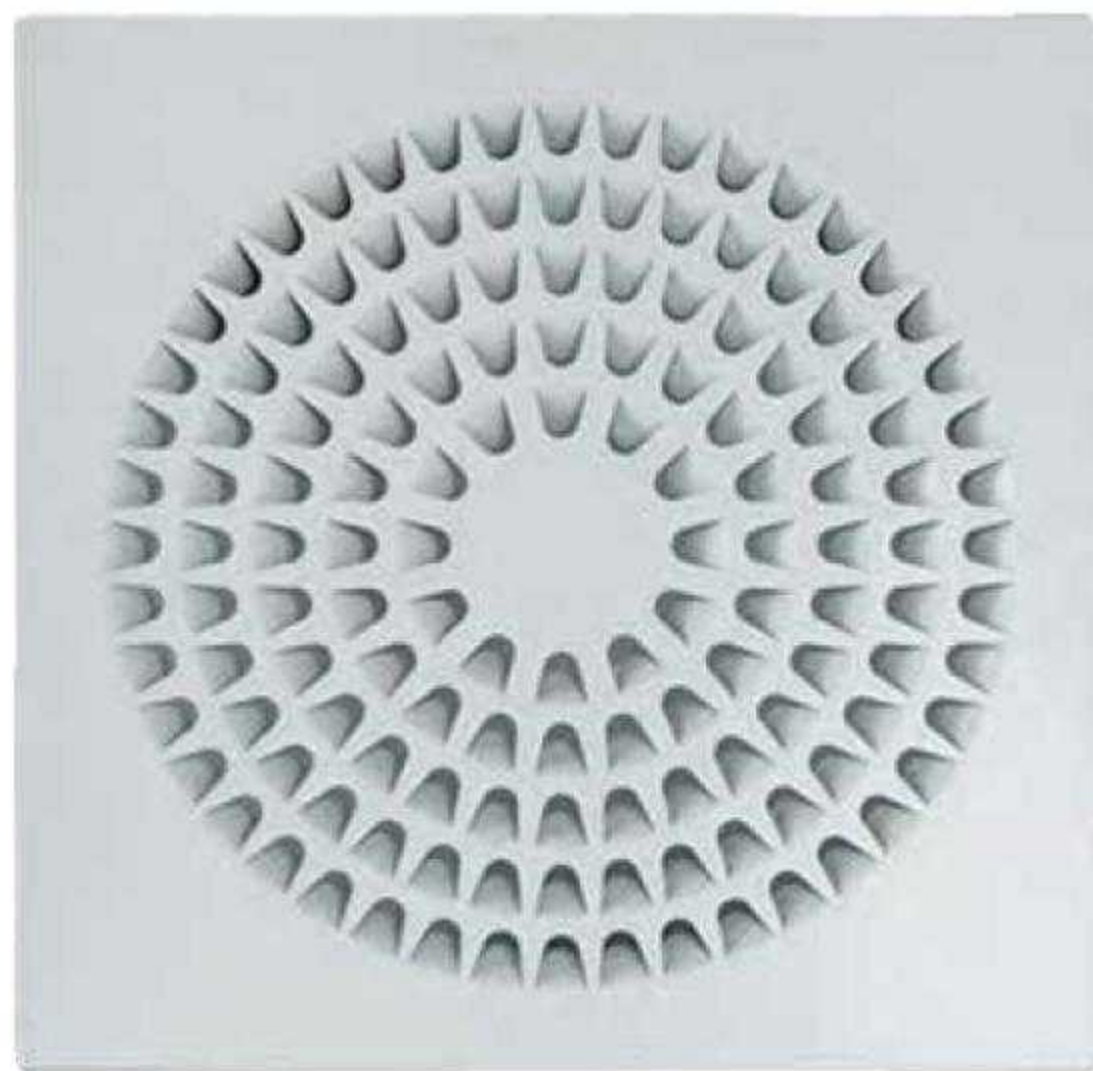
Accessories(Optional)

- 10x10mm black gasket
- Damper for Plenum box
- Plenum box with bracket
- Plastic plug for screw head
- Silicone plug for centre hole



Code	A-A	B-B	H	Blades
SDA-24B 595/24	590*590	595*595	201	24

Swirl Diffuser Fixed Blades (SDFE)

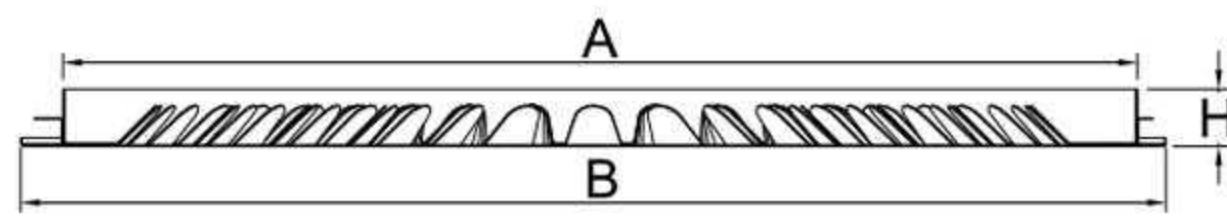


Feature Description

- * Powder coated white
- * The angle of the blades is 45 degree
- * The diffuser face is made of galvanized steel 0.8mm thick

Accessories(Optional)

- Plenum box
- 10x10mm black gasket



Code	A-A	B-B	H
SDFE 599/562	562*562	599*599	30

Round Swirl Diffuser Fixed Blades (RSDF)

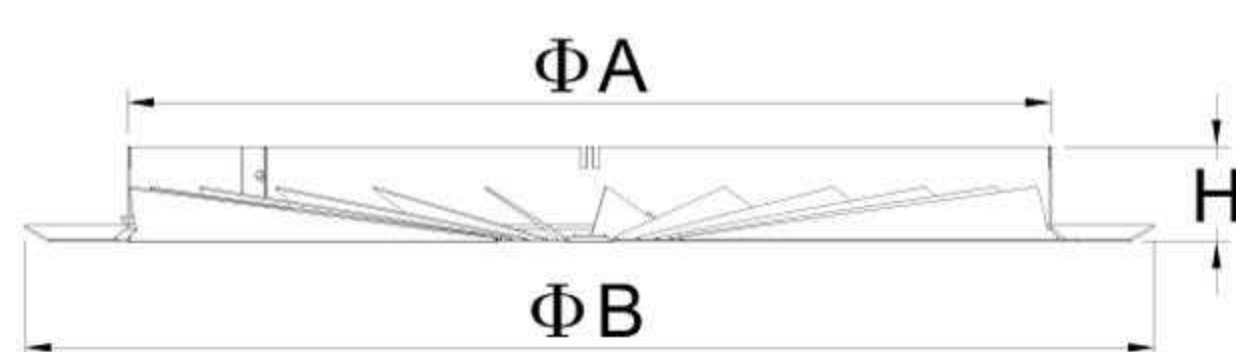


Feature Description

- * Powder coated white
- * M8x160mm central fixing screw
- * The angle of the blades is 38 degree
- * The diffuser face is made of galvanized steel 0.8mm thick

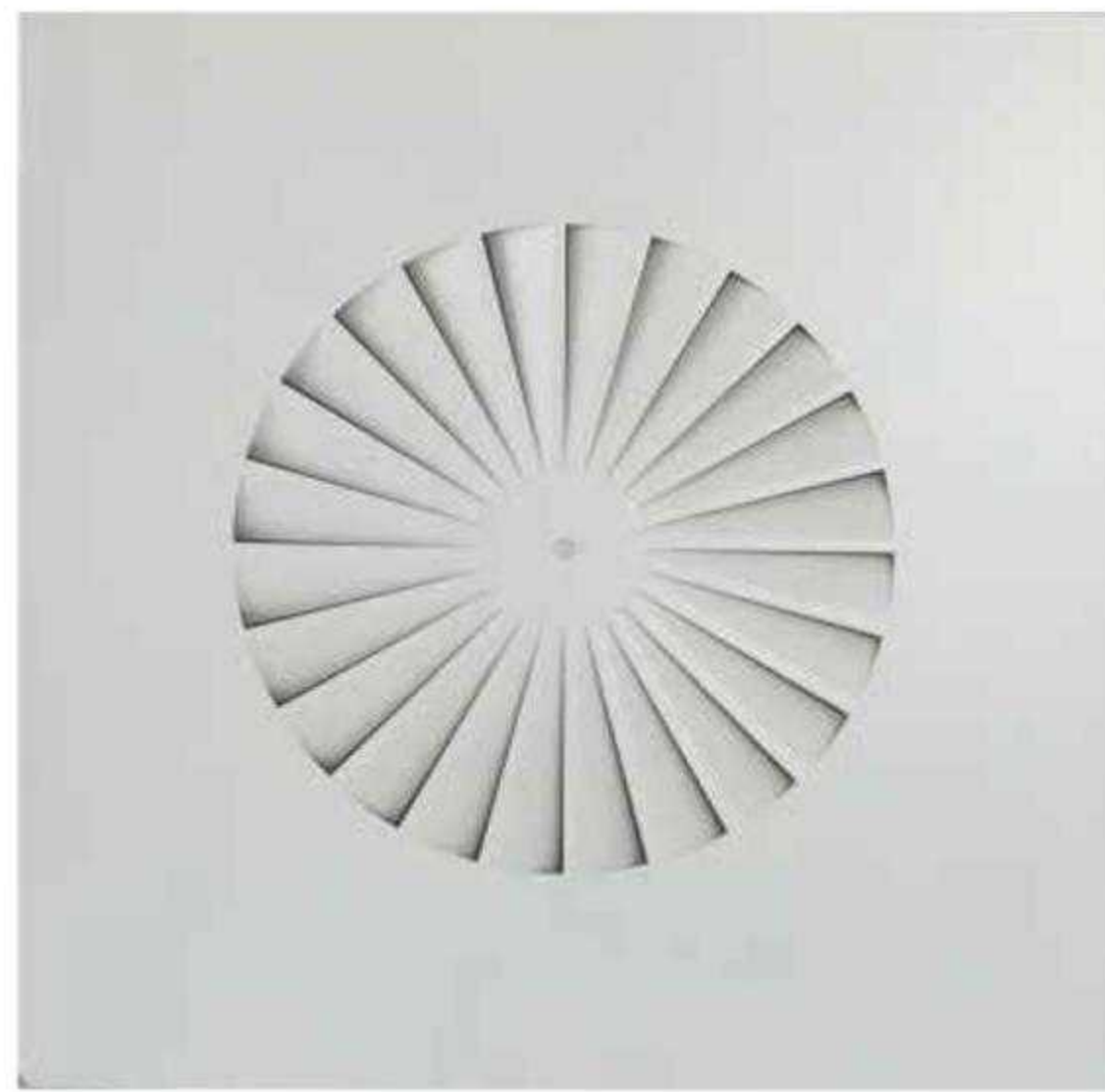
Accessories(Optional)

- 10x10mm black gasket
- Silicone plug for centre hole



Code	Φ A	Φ B	H	Blades
RSDF-24 426/350	Φ348	Φ426	35.8	24
RSDF-24 620/535	Φ533	Φ620	35.8	24

Swirl Diffuser Fixed Blades



Feature Description

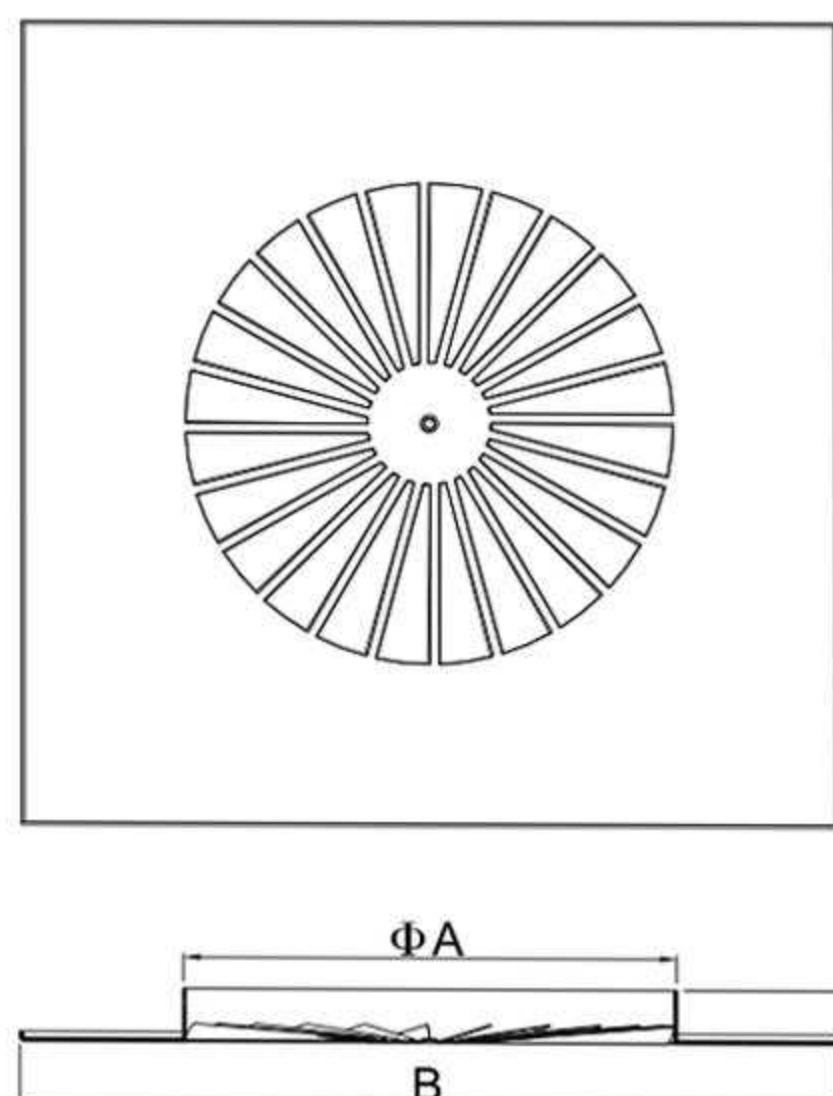
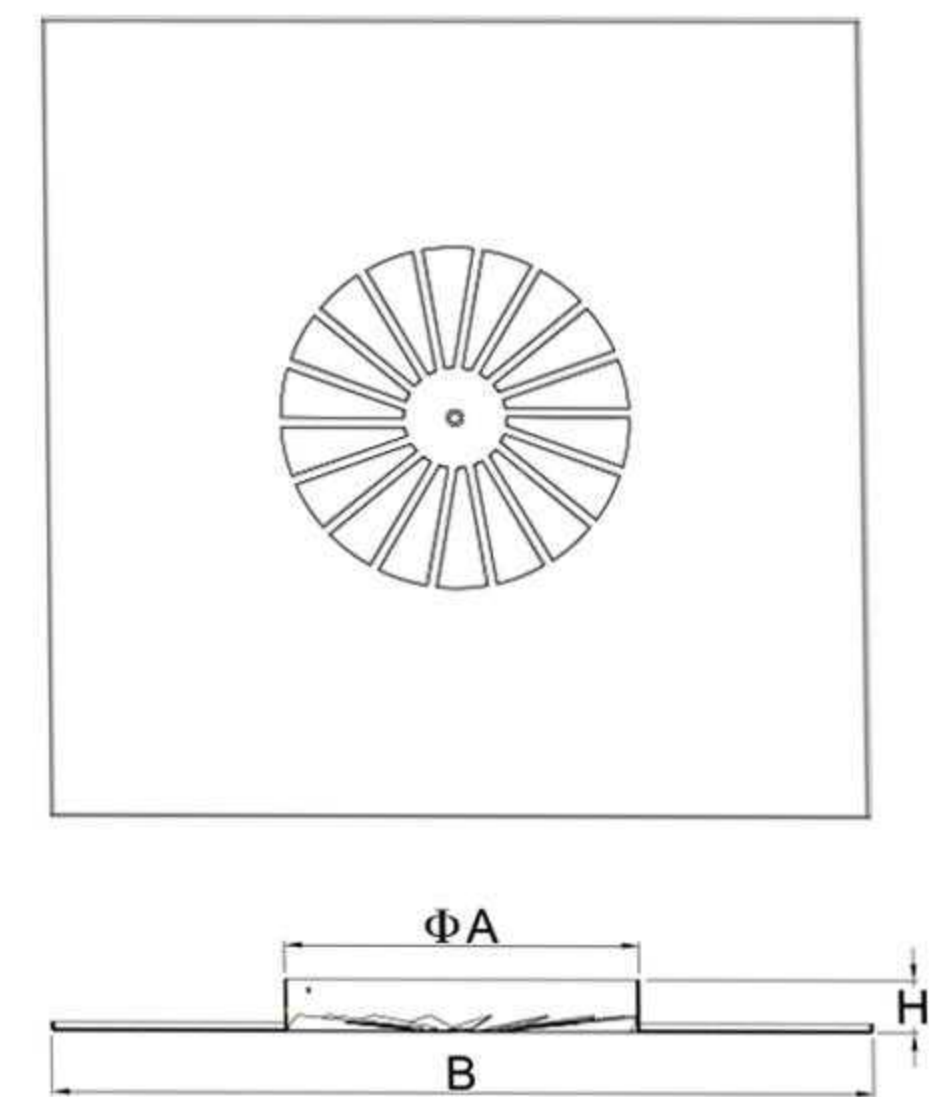
- * Powder coated white
- * The angle of the blades is 18 degree
- * M6x100mm countersunk head central fixing screw
- * The diffuser face is made of galvanized steel 1.0mm thick

Accessories(Optional)

- 10x10mm black gasket
- Silicone plug for centre hole
- Plenum box with bracket
- Plastic plug for screw head

(SDFC-18)

Code	ΦA	B-B	H	Blades
SDFC-18 300/254D	$\Phi 254$	295*295	40	18
SDFC-18 400/254D	$\Phi 254$	395*395	40	18
SDFC-18 500/254D	$\Phi 254$	495*495	40	18
SDFC-18 600/254D	$\Phi 254$	595*595	40	18

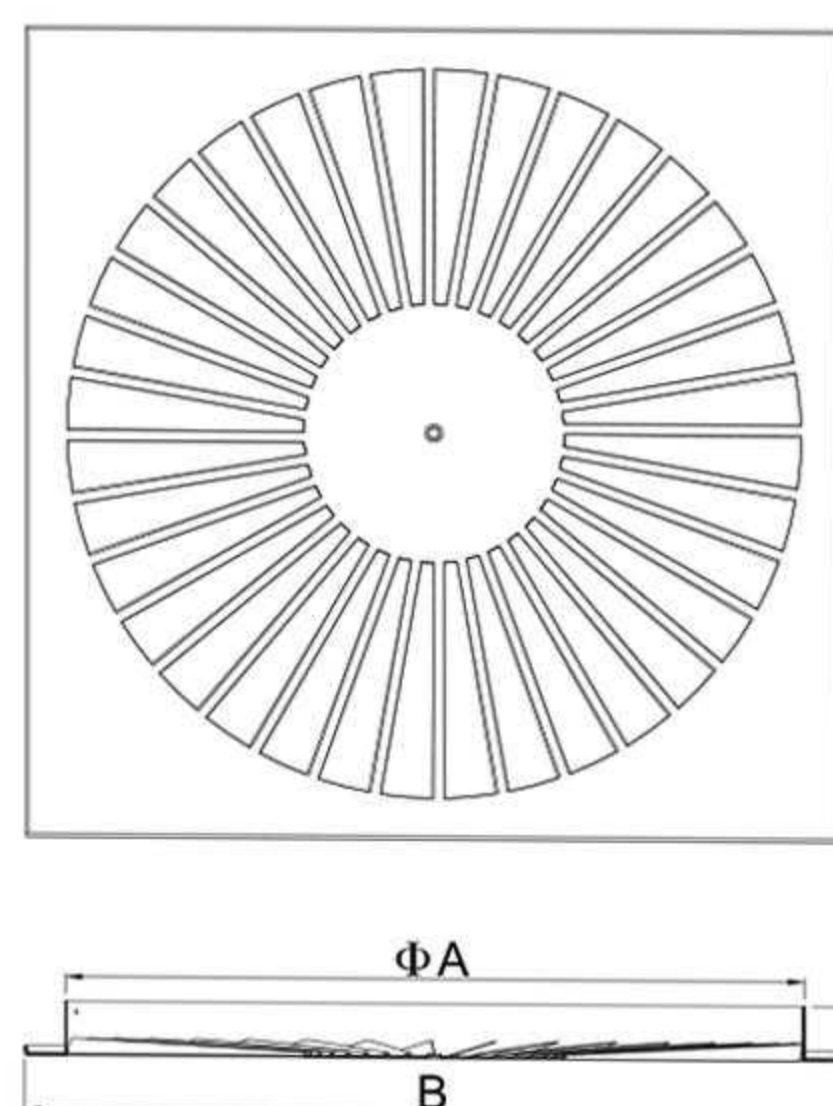
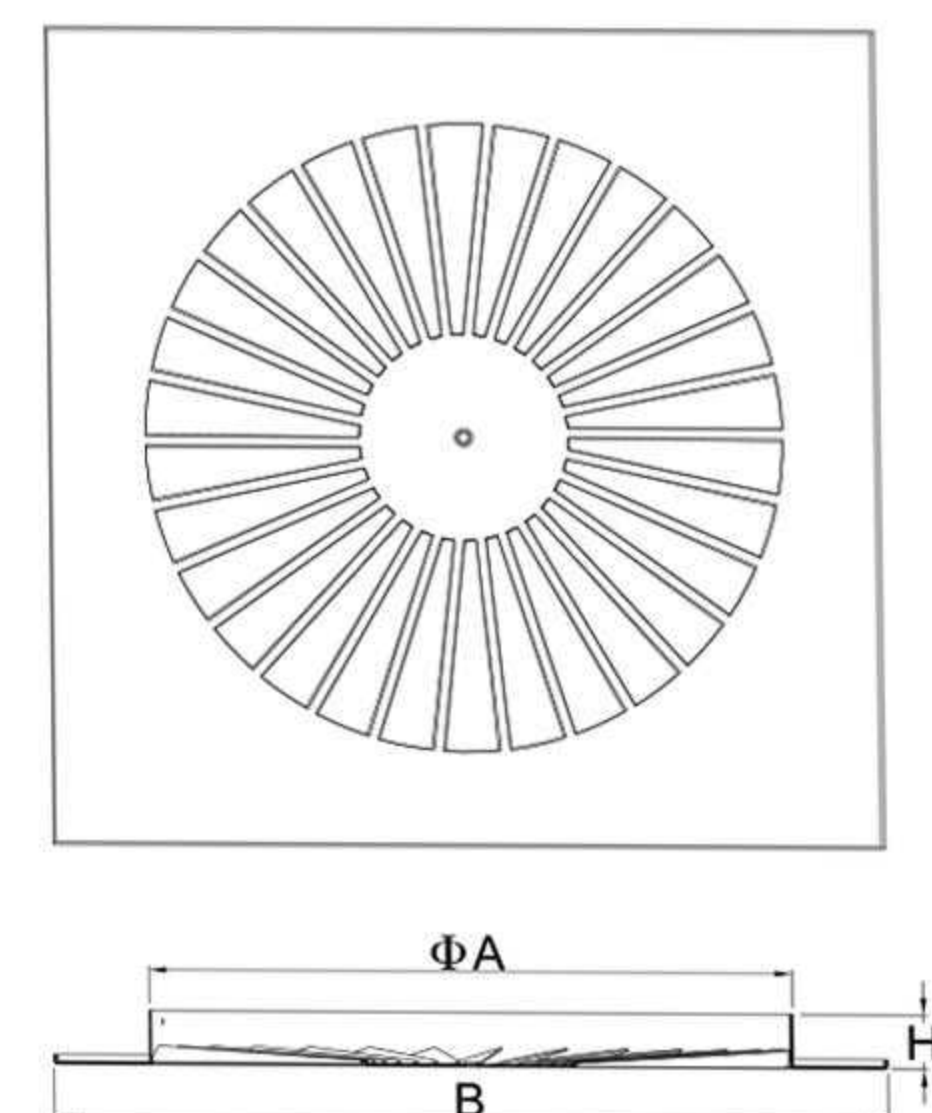


(SDFC-24)

Code	ΦA	B-B	H	Blades
SDFC-24 400/356D	$\Phi 356$	395*395	40	24
SDFC-24 500/356D	$\Phi 356$	495*495	40	24
SDFC-24 600/356D	$\Phi 356$	595*595	40	24

(SDFC-30)

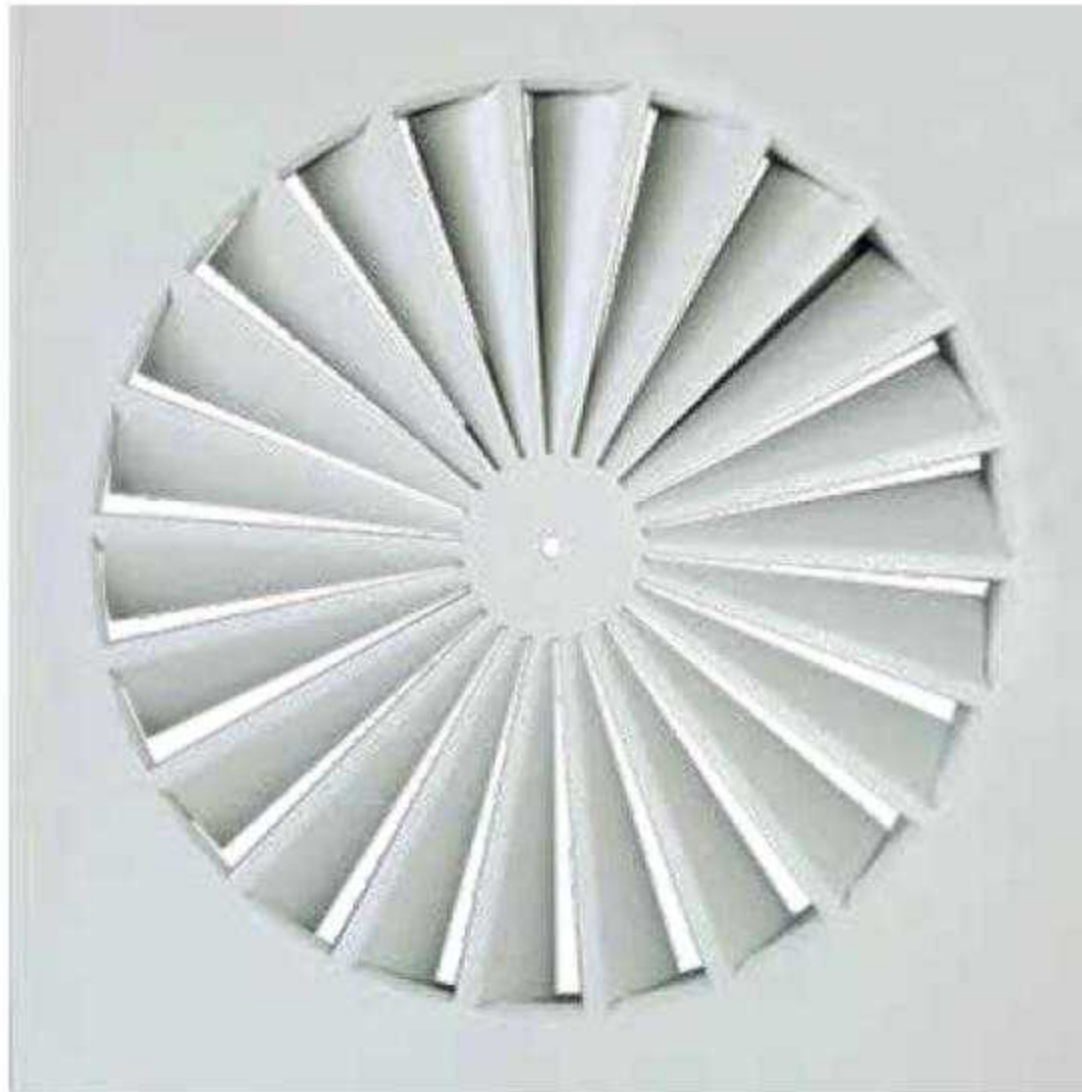
Code	ΦA	B-B	H	Blades
SDFC-30 500/457D	$\Phi 457$	495*495	40	30
SDFC-30 600/457D	$\Phi 457$	595*595	40	30



(SDFC-36)

Code	ΦA	B-B	H	Blades
SDFC-36 600/535D	$\Phi 535$	595*595	40	36

Swirl Diffuser Fixed Blades (SDFA-22)

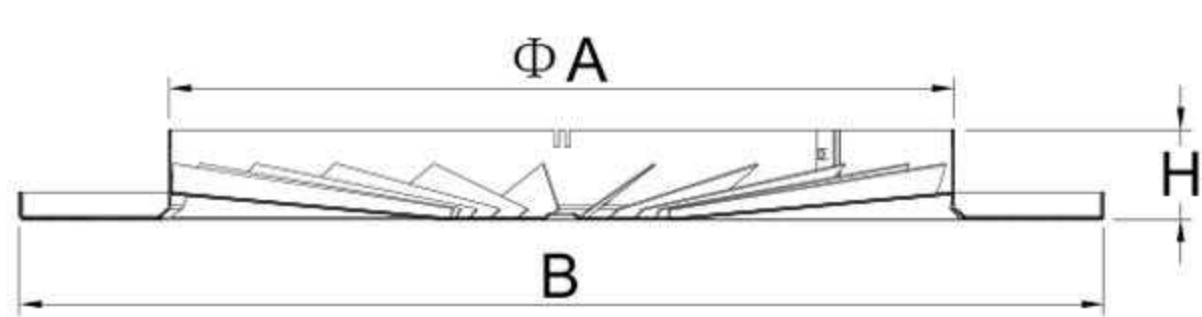


Feature Description

- * Powder coated white
- * M8x160mm central fixing screw
- * The angle of the blades is 38 degree
- * The diffuser face is made of galvanized steel 0.8mm thick

Accessories(Optional)

- 10x10mm black gasket
- Silicone plug for centre hole
- Plenum box with bracket
- Plastic plug for screw head



Code	Φ A	B-B	H	Blades
SDFA-22 595/360D	Φ356	595*595	41	22
SDFA-22 595/500D	Φ497	595*595	41	22

Swirl Diffuser Fixed Blades (SDFB-24)

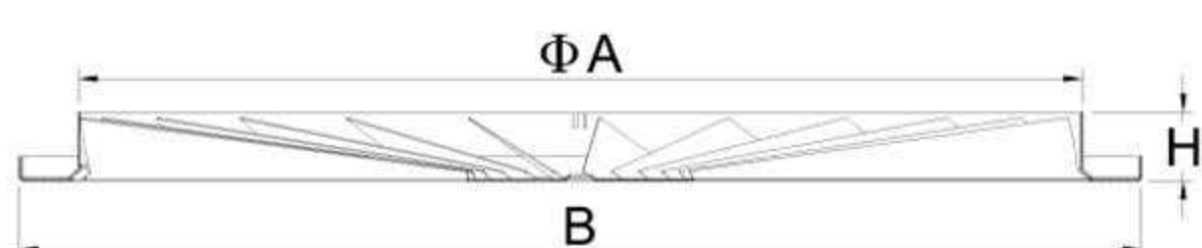


Feature Description

- * Powder coated white
- * M8x160mm central fixing screw
- * The angle of the blades is 38 degree
- * The diffuser face is made of galvanized steel 0.8mm thick

Accessories(Optional)

- 10x10mm black gasket
- Silicone plug for centre hole
- Plenum box with bracket
- Plastic plug for screw head



Code	Φ A	B-B	H	Blades
SDFB-24 595/350D	Φ348	595*595	36	24
SDFB-24 595/535D	Φ533	595*595	36	24

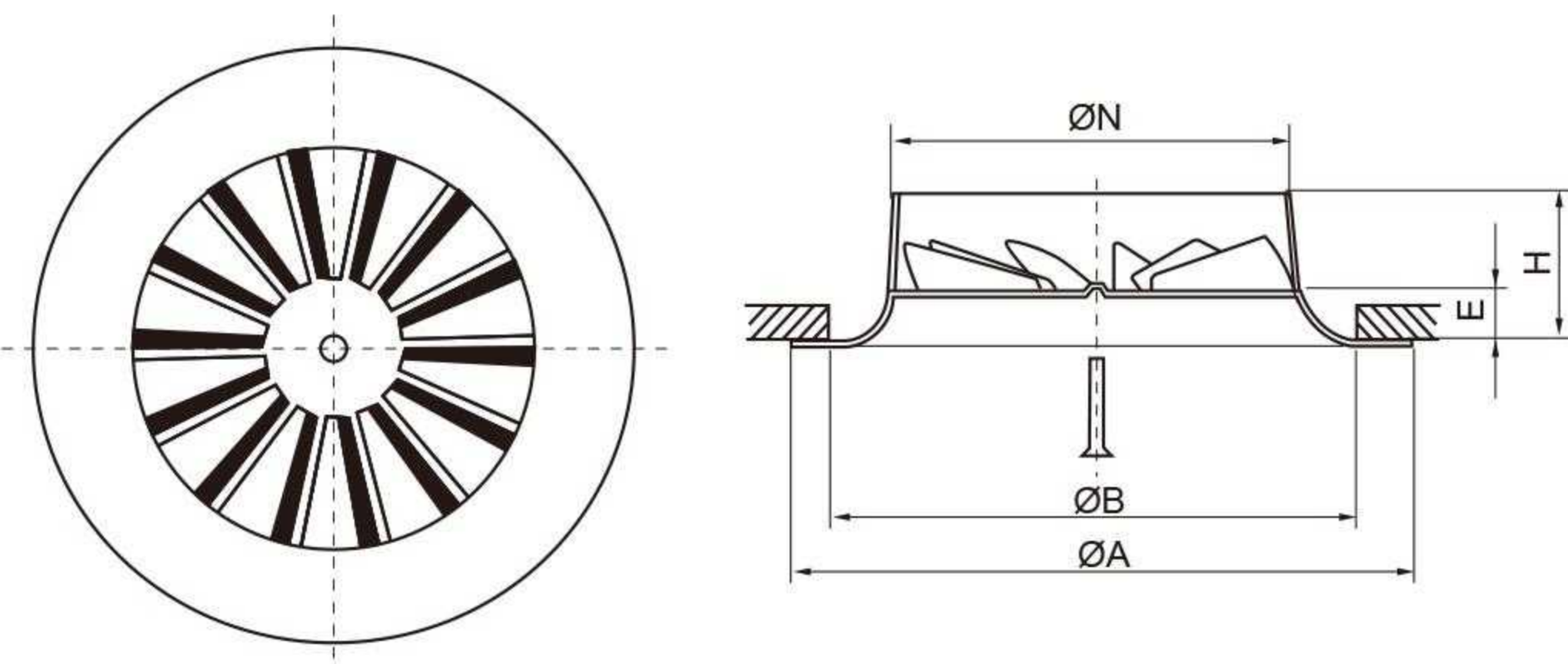
Swirl Round Diffuser With Fixed Blades (SRD-A)



Specification:

- Swirl round diffuser with **fixed** blades.
- Material: SPCC.
- Finish: RAL9010, RAL9016 or RAL9003, as per request.
- The swirl round diffuser is designed for surface mounting but can also be mounted directly on exposed ducts.
- A high induction is obtained through the excellent swirl effect.

Dimension:



Item code	ØA(mm)	ØB(mm)	E(mm)	H(mm)	ØN(mm)
SRD-100A	160	135	15	64	98
SRD-125A	200	180	25	74	123
SRD-160A	250	210	25	74	158
SRD-200A	300	260	25	74	198
SRD-250A	350	310	25	74	248
SRD-315A	450	410	35	90	313
SRD-400A	570	530	60	125	398

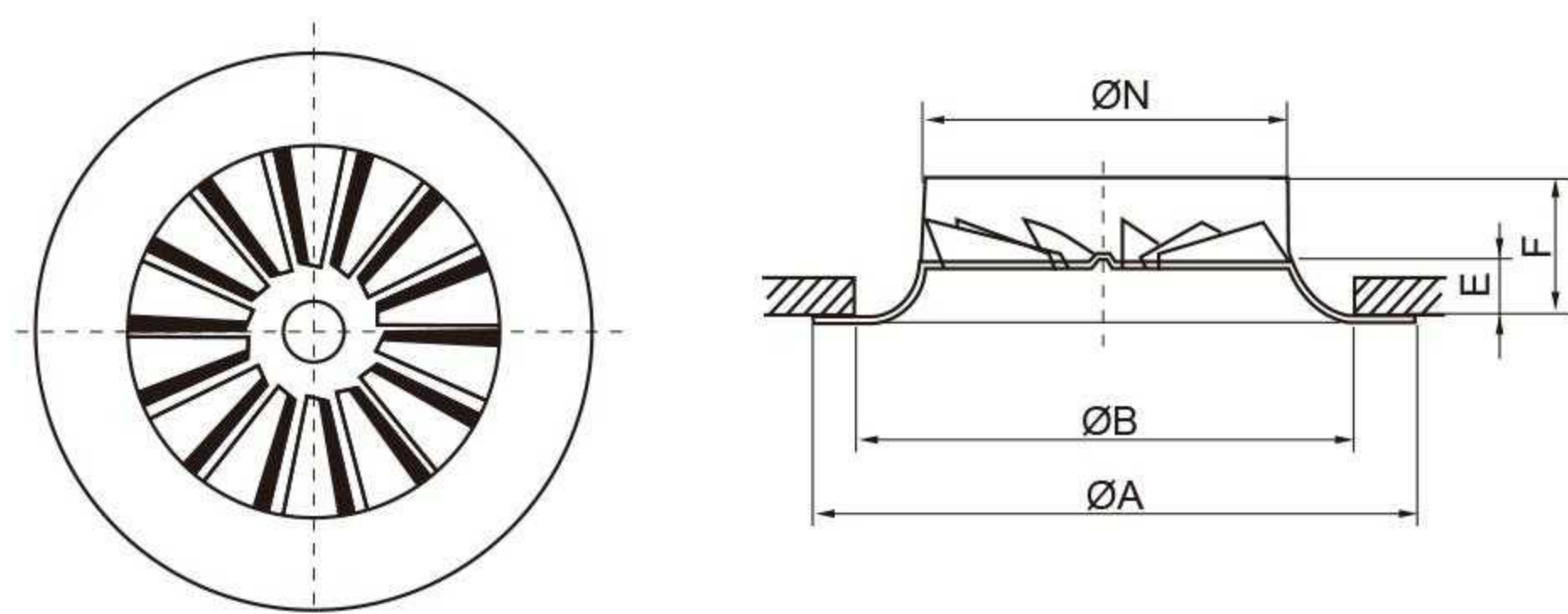
Swirl Round Diffuser With Adjustable Blades (SRD-B)



Specification:

- Swirl round diffuser with **adjustable** blades.
- Material: SPCC.
- Finish: RAL9010, RAL9016 or RAL9003, as per request.
- The swirl round diffuser is designed for surface mounting but can also be mounted directly on exposed ducts.
- A high induction is obtained through the excellent swirl effect.

Dimension:



Item code	ØA(mm)	ØB(mm)	E(mm)	H(mm)	ØN(mm)
SRD-200B	300	260	38	145	198
SRD-250B	360	310	41	166	248
SRD-315B	462	400	63	200	313
SRD-350B	500	435	76	218	348
SRD-400B	568	500	80	236	398
SRD-500B	718	640	100	260	498
SRD-630B	878	800	125	304	628
SRD-800B	1070	970	145	317	798

Ceiling Diffuser (CD)



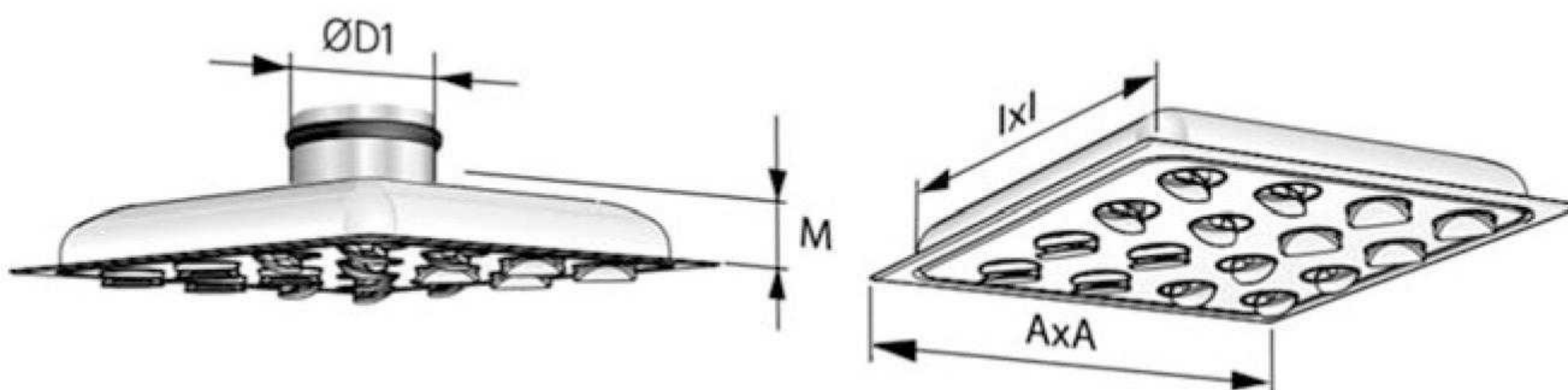
Specification:

- Item code: CD
- Ceiling diffuser with discs
- Material : SPCC+PP(Discs)
- Seal ring : EPDM
- Thickness : 0.8mm
- Application: For air supply and exhaust
- Finish : RAL9010 / RAL9016 / RAL9003 as per requirement.

General:

- Ceiling diffuser with adjustable discs, which is designed to provide effective supply distribution.
- Diffusers front plate is easily removable, making the cleaning process more comfortable and less time consuming. It is suitable for using in rooms with or without suspended ceiling.

Dimension:



Item code	A(mm)	ØD1(mm)	l (mm)	M(mm)	No.of discs
CD125-400	395	124	375	70	16
CD125-600	595	124	575	70	16
CD160-400	395	159	375	70	25
CD160-600	595	159	575	70	25
CD200-500	495	199	475	70	36
CD200-600	595	199	575	70	36
CD250-500	495	249	475	70	49
CD250-600	595	249	575	70	49
CD315-500	495	314	475	70	49
CD315-600	595	314	575	70	64
CD400-600	595	399	575	70	81

Dimension of opening in ceiling=lxl