

American
SUPERlite



www.AmericanSuperlite.com

CRYSTAL CLEAR LED LIGHTING SYSTEMS

ABOUT ASL AMERICAN SUPERLITE

We chose the name "American Superlite" for our company because we wanted you to know our LED heavy duty vehicle lights are American made and with super performance. Our lights are the best looking lights to be found on planet Earth.

American Superlite entered the heavy duty vehicle lighting market in 2000 and quickly became THE Innovator of LED lights. Our patented lenses and reflectors surpass all others in quality and brightness.

Landline magazine has recognized our customer service and the quality of our lights as well as the innovation we have brought to the industry. They also ranked us #1 in Reader's Choice.

10-4 Magazine in a cover story said "AMERICAN SUPERLITE"s line of clear lens LED lights are the hottest thing to hit the show truck market since regular LEDs".

We consulted with heavy duty vehicle owner operators to give our engineers and developers input that makes our lights customer friendly while looking better and outperforming all other LED lights in our industry.

We are the only manufacturer of heavy duty LED lights to offer an unlimited lifetime warranty on our LED lights because we believe in our products. If it says American Superlite on the light and it is the one in a million that fails, just return it for a replacement light. Our word is your guarantee of satisfaction.

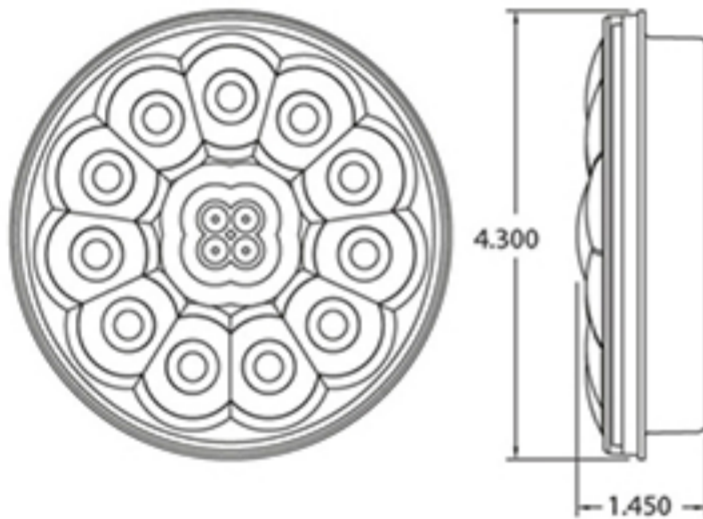
We pride ourselves on being an innovative and responsive company. A number of owner operators said they wanted something different so we utilized our patented reflector and lens technology to create industries first LED lamp with clear lenses. When costumers told us competitors lights failed because the built in plug failed we developed our lights with the plug isolated from the body of the light. Only the highest quality LEDs go into our lights. If you have an idea about a light let us know. We are small enough to listen to you and big enough to develop an idea you may have.

Innovation is what drives us at American Superlite. Our commitment to excellence and customer satisfaction is acknowledged by all who have acquired our lights. Our lights are made by Americans for Americans. We will continue to bring you the best heavy duty LED vehicle lights at a price you can afford.

PRODUCT INDEX

STOP/TURN/TAIL LAMPS	PG 1-5
FRONT/PARK/TURN LAMPS	PG 6-10
STROBE LAMPS	PG 11-14
BACK UP LAMPS	PG 15
WHITE UTILITY LAMPS	PG 16
GREEN LED LAMPS	PG 17
BLUE LED LAMPS	PG 18
MARKER/CLEARANCE LAMPS	PG 19-28
GROMMETS & FLANGES	PG 29-30
METAL LAMP BRACKETS	PG 31
ELECTRONIC FLASHERS & RELAYS	PG 32
WIRE HARNESS AND PLUGS	PG 33
WIRING DIAGRAMS	PG 34
ELECTRICAL SPECIFICATIONS	PG 35
WARRANTY	PG 36

MODEL SL4000 S/T/T RED 4" GROMMET MOUNT STOP, TURN & TAIL LAMP



- 15 LED design
- Ultrasonically sealed polycarbonate lens and housing.
- Patented reflector and optical lens enables 180° viewing angle.
- Meets both FMVSS 108 and ECE "E" photometric requirements and does not require 'TOP' positioning.
- Isolated standard plug and wiring eliminates connector corrosion at the housing.
- Solid state electronics with German technology OSRAM LEDs and Siemens Infineon drivers ensure long life and flicker free operation.

*UNIVERSAL MULTI VOLT APPLICATION 12-28 VOLTS

PART NO.	DESCRIPTION	MOQ
40200R	RED GROMMET S/T/T LAMP	10
40200R3	RED GROMMET S/T/T LAMP-QTY	50
40200RC	RED/CLEAR LENS GROMMET S/T/T LAMP	10
40200RC3	RED/CLEAR LENS GROMMET S/T/T LAMP-QTY	50
40210R	RED, BLACK GROMMET S/T/T LAMP KIT	10
40210R3	RED, BLACK GROMMET S/T/T LAMP KIT-QTY	50
40210RC	RED/CLEAR LENS, BLACK GROMMET S/T/T LAMP KIT	10
40210RC3	RED/CLEAR LENS, BLACK GROMMET S/T/T LAMP KIT-QTY	50
40211R	RED, CLEAR GROMMET S/T/T LAMP KIT	10
40211R3	RED, CLEAR GROMMET S/T/T LAMP KIT-QTY	50
40211RC	RED/CLEAR LENS, CLEAR GROMMET S/T/T LAMP KIT	10
40211RC3	RED/CLEAR LENS, CLEAR GROMMET S/T/T LAMP KIT-QTY	50



www.AmericanSuperlite.com
 Toll Free: 888-208-3967 Tel: 818-771-1311
 To Order: sales@americansuperlite.com or Fax: 818-771-1341

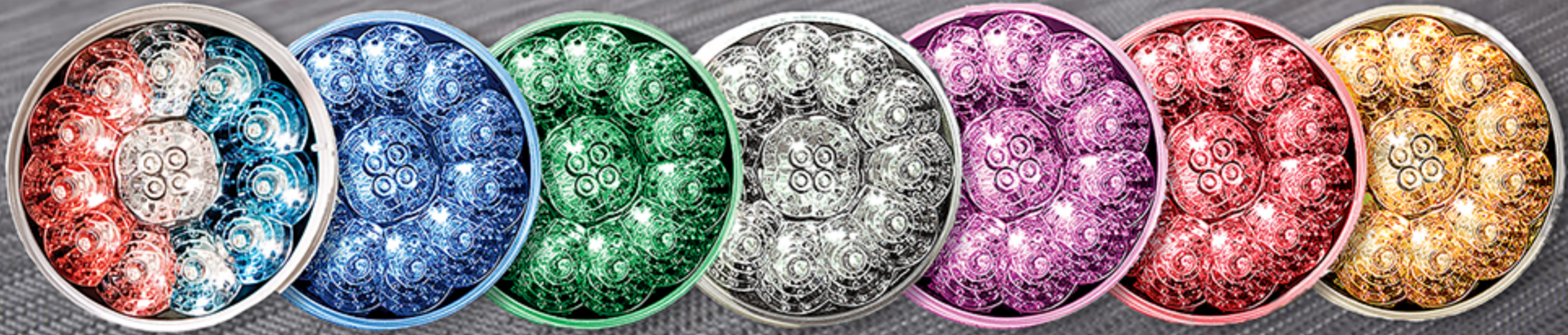
CRYSTAL CLEAR LED LIGHTING SYSTEMS



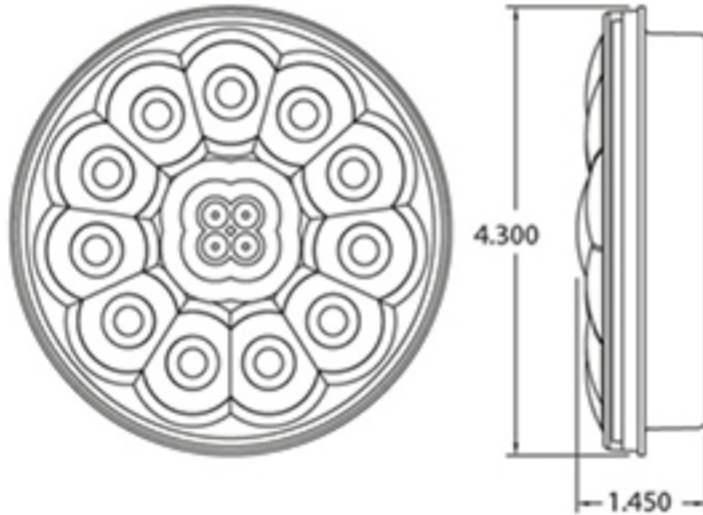
DESIGNER SERIES

MODEL SL4000 S/T/T

RED 4" GROMMET MOUNT STOP, TURN & TAIL LAMP



All Products DOT Approved. All lamps light up in **RED**



- 15 LED design
- Ultrasonically sealed polycarbonate lens and housing.
- Patented reflector and optical lens enables 180° viewing angle.
- Meets both FMVSS 108 and ECE "E" photometric requirements and does not require 'TOP' positioning.
- Isolated standard plug and wiring eliminates connector corrosion at the housing.
- Solid state electronics with German technology OSRAM LEDs and Siemens Infineon drivers ensure long life and flicker free operation.

*UNIVERSAL MULTI VOLT APPLICATION 12-28 VOLTS

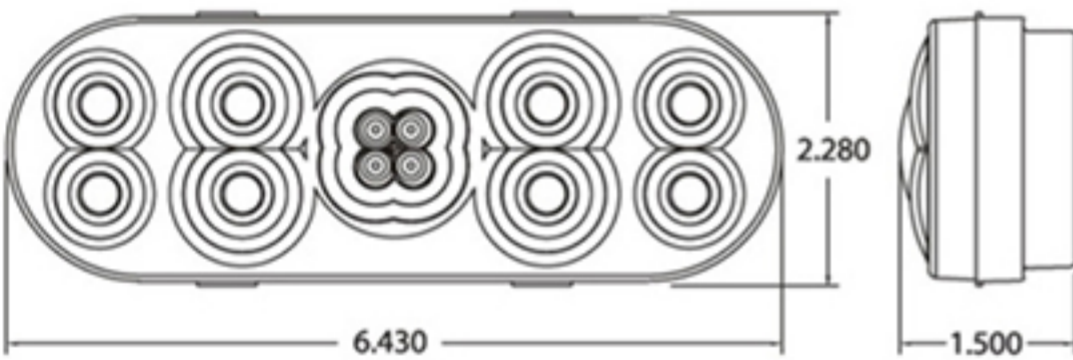
PART NO.	DESCRIPTION	MOQ
40400RRWB	4" DESIGNER SERIES RED WHITE & BLUE REF S/T/T RED GROMMET LAMP	10
40400BR	4" DESIGNER SERIES BLUE REF S/T/T RED GROMMET LAMP	10
40400GR	4" DESIGNER SERIES GREEN REF S/T/T RED GROMMET LAMP	10
40400DBR	4" DESIGNER SERIES DIAMOND BLACK REF S/T/T RED GROMMET LAMP	10
40400PR	4" DESIGNER SERIES PURPLE REF S/T/T RED GROMMET LAMP	10
40400RR	4" DESIGNER SERIES RED REF S/T/T RED GROMMET LAMP	10
40400GLDR	4" DESIGNER SERIES GOLD REF S/T/T RED GROMMET LAMP	10



**UNLIMITED
LIFETIME
WARRANTY**

www.AmericanSuperlite.com
Toll Free: 888-208-3967 Tel: 818-771-1311
To Order: sales@americansuperlite.com or Fax: 818-771-1341

MODEL SL8200 S/T/T RED OVAL STOP, TURN & TAIL LAMP



- 12 LED design.
- Ultrasonically sealed polycarbonate lens and housing.
- Patented reflector and optical lens enables 180° viewing angle.
- Meets both FMVSS 108 and ECE "E" photometric requirements and does not require 'TOP' positioning.
- Isolated standard plug and wiring eliminates connector corrosion at the housing.
- Solid state electronics with German technology OSRAM LEDs and Siemens Infineon drivers ensure long life and flicker free operation.

*PLEASE SPECIFY 12 OR 24 VOLT APPLICATION

PART NO.	DESCRIPTION	MOQ
82200R	RED GROMMET OVAL S/T/T LAMP	10
82200R3	RED GROMMET OVAL S/T/T LAMP-QTY	50
82200RC	RED/CLEAR LENS GROMMET OVAL S/T/T LAMP	10
82200RC3	RED/CLEAR LENS GROMMET OVAL S/T/T LAMP-QTY	50
82210R	RED, BLACK GROMMET OVAL S/T/T LAMP KIT	10
82210R3	RED, BLACK GROMMET OVAL S/T/T LAMP KIT-QTY	50
82210RC	RED/CLEAR LENS, BLACK GROMMET OVAL S/T/T LAMP KIT	10
82210RC3	RED/CLEAR LENS, BLACK GROMMET OVAL S/T/T LAMP KIT-QTY	50
82211R	RED, CLEAR GROMMET OVAL S/T/T LAMP KIT	10
82211R3	RED, CLEAR GROMMET OVAL S/T/T LAMP KIT-QTY	50
82211RC	RED/CLEAR LENS, CLEAR GROMMET OVAL S/T/T LAMP KIT	10
82211RC3	RED/CLEAR LENS, CLEAR GROMMET OVAL S/T/T LAMP KIT-QTY	50



www.AmericanSuperlite.com
 Toll Free: 888-208-3967 Tel: 818-771-1311
 To Order: sales@americansuperlite.com or Fax: 818-771-1341

CRYSTAL CLEAR LED LIGHTING SYSTEMS

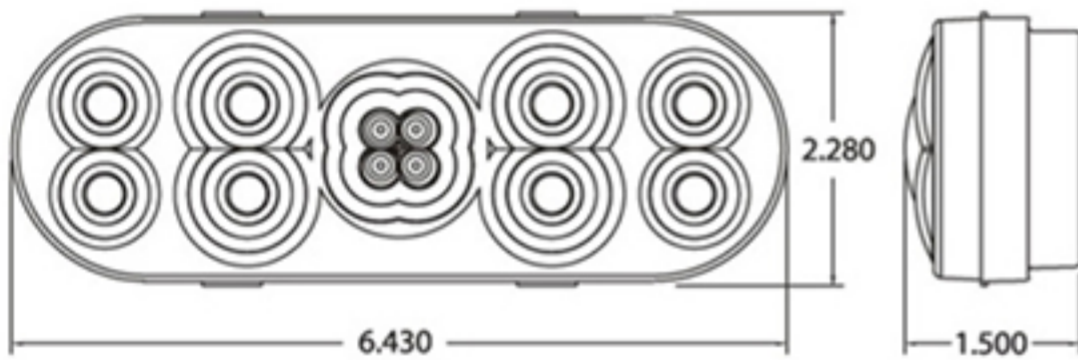


DESIGNER SERIES

MODEL SL8200 S/T/T RED OVAL STOP, TURN & TAIL LAMPS



All Products DOT Approved. All lamps light up in **RED**



- 12 LED design.
- Ultrasonically sealed polycarbonate lens and housing.
- Patented reflector and optical lens enables 180° viewing angle.
- Meets both FMVSS 108 and ECE "E" photometric requirements and does not require 'TOP' positioning.
- Isolated standard plug and wiring eliminates connector corrosion at the housing.
- Solid state electronics with German technology OSRAM LEDs and Siemens Infineon drivers ensure long life and flicker free operation.

*PLEASE SPECIFY 12 OR 24 VOLT APPLICATION

PART NO.	DESCRIPTION	MOQ
82400RRWB	OVAL DESIGNER SERIES RED WHITE & BLUE REF RED S/T/T LAMP	10
82400BR	OVAL DESIGNER SERIES BLUE REF RED S/T/T LAMP	10
82400GR	OVAL DESIGNER SERIES GREEN REF RED S/T/T LAMP	10
82400DBR	OVAL DESIGNER SERIES DIAMOND BLACK REF RED S/T/T LAMP	10
82400PR	OVAL DESIGNER SERIES PURPLE REF RED S/T/T LAMP	10
82400RR	OVAL DESIGNER SERIES RED REF RED S/T/T LAMP	10
82400GLDR	OVAL DESIGNER SERIES GOLD REF RED S/T/T LAMP	10



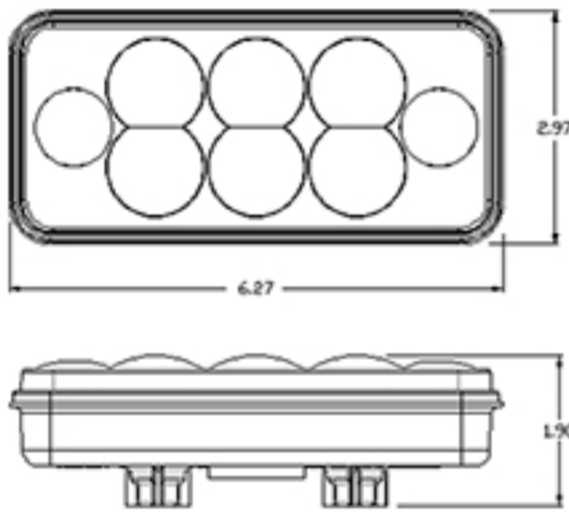
**UNLIMITED
LIFETIME
WARRANTY**

www.AmericanSuperlite.com
Toll Free: 888-208-3967 Tel: 818-771-1311
To Order: sales@americansuperlite.com or Fax: 818-771-1341

MODEL SL5000 S/T/T RED STUD MOUNT STOP, TURN & TAIL LAMP



All Products DOT Approved. All lamps light up in **RED**



- 8 LED design.
- Ultrasonically sealed polycarbonate lens and housing.
- Patented reflector and optical lens enables 180° viewing angle.
- Meets both FMVSS 108 and ECE "E" photometric requirements and does not require 'TOP' positioning.
- Isolated standard plug and wiring eliminates connector corrosion at the housing.
- Solid state electronics with German technology OSRAM LEDs and Siemens Infineon drivers ensure long life and flicker free operation.

*UNIVERSAL MULTI VOLT APPLICATION 12-28 VOLTS

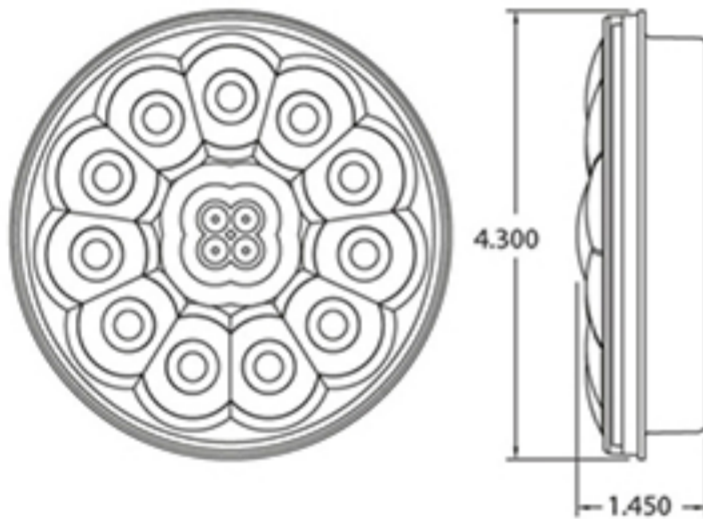
PART NO.	DESCRIPTION	MOQ
50200R	RED STUD MOUNT S/T/T LAMP	10
50200R3	RED STUD MOUNT S/T/T LAMP QTY	50
50200RC	RED/CLEAR LENS STUD MOUNT S/T/T LAMP	10
50200RC3	RED/CLEAR LENS STUD MOUNT S/T/T LAMP QTY	50
DESIGNER SERIES		
50400BR	DESIGNER SERIES BLUE REF RED S/T/T STUD MOUNT LAMP	10
50400GR	DESIGNER SERIES GREEN REF RED S/T/T STUD MOUNT LAMP	10
50400DBR	DESIGNER SERIES DIAMOND BLACK REF RED S/T/T STUD MOUNT LAMP	10
50400PR	DESIGNER SERIES PURPLE REF RED S/T/T STUD MOUNT LAMP	10
50400RR	DESIGNER SERIES RED REF RED S/T/T STUD MOUNT LAMP	10
50400GLDR	DESIGNER SERIES GOLD REF RED S/T/T STUD MOUNT LAMP	10



www.AmericanSuperlite.com
 Toll Free: 888-208-3967 Tel: 818-771-1311
 To Order: sales@americansuperlite.com or Fax: 818-771-1341

MODEL SL4000 F/P/T

AMBER 4" GROMMET MOUNT FRONT, PARK & TURN LAMP



- 15 LED design
- Ultrasonically sealed polycarbonate lens and housing.
- Patented reflector and optical lens enables 180° viewing angle.
- Meets both FMVSS 108 and ECE "E" photometric requirements and does not require 'TOP' positioning.
- Isolated standard plug and wiring eliminates connector corrosion at the housing.
- Solid state electronics with German technology OSRAM LEDs and Siemens Infineon drivers ensure long life and flicker free operation.

*UNIVERSAL MULTI VOLT APPLICATION 12-28 VOLTS

PART NO.	DESCRIPTION	MOQ
40200A	AMBER GROMMET F/P/T LAMP	10
40200A3	AMBER GROMMET F/P/T LAMP-QTY	50
40200AC	AMBER/CLEAR LENS GROMMET F/P/T LAMP	10
40200AC3	AMBER/CLEAR LENS GROMMET F/P/T LAMP-QTY	50
40210A	AMBER, BLACK GROMMET F/P/T LAMP KIT	10
40210A3	AMBER, BLACK GROMMET F/P/T LAMP KIT-QTY	50
40210AC	AMBER/CLEAR LENS, BLACK GROMMET F/P/T LAMP KIT	10
40210AC3	AMBER/CLEAR LENS, BLACK GROMMET F/P/T LAMP KIT-QTY	50
40211A	AMBER, CLEAR GROMMET F/P/T LAMP KIT	10
40211A3	AMBER, CLEAR GROMMET F/P/T LAMP KIT-QTY	50
40211AC	AMBER/CLEAR LENS, CLEAR GROMMET F/P/T LAMP KIT	10
40211AC3	AMBER/CLEAR LENS, CLEAR GROMMET F/P/T LAMP KIT-QTY	50



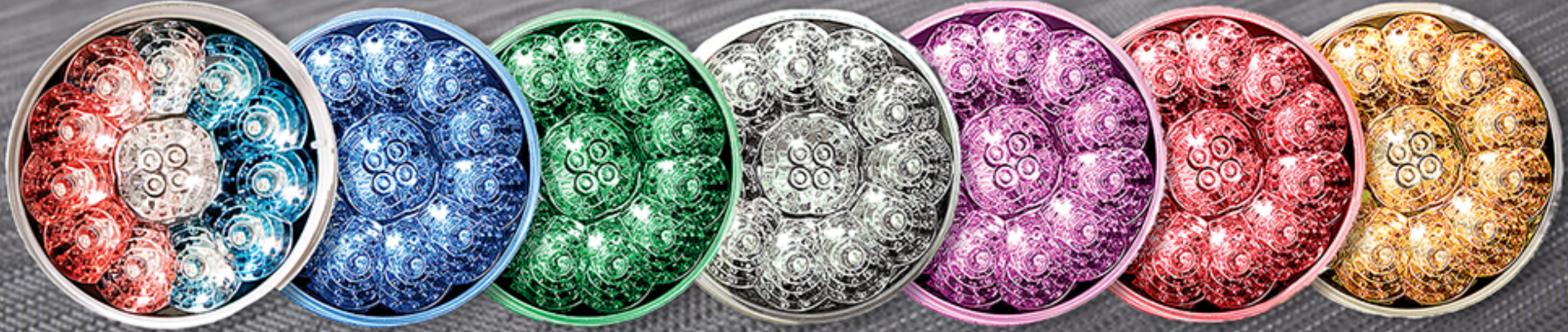
www.AmericanSuperlite.com
 Toll Free: 888-208-3967 Tel: 818-771-1311
 To Order: sales@americansuperlite.com or Fax: 818-771-1341

CRYSTAL CLEAR LED LIGHTING SYSTEMS

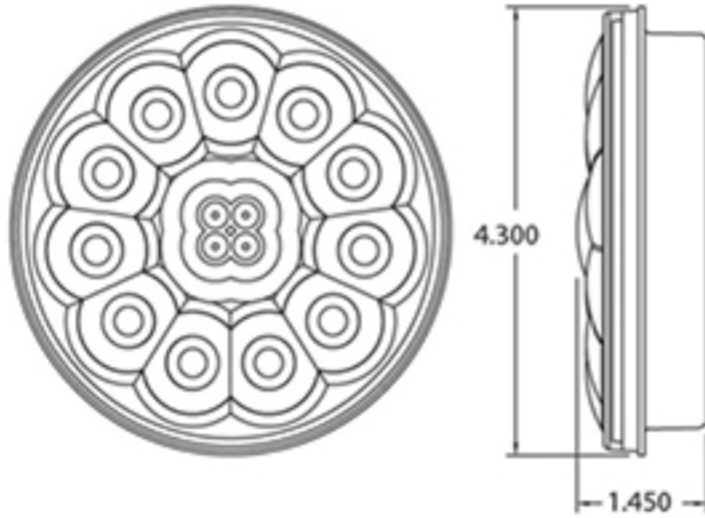


DESIGNER SERIES

MODEL SL4000 F/P/T AMBER 4" FRONT, PARK & TURN LAMP



All Products DOT Approved. All lamps light up in **AMBER**



- 15 LED design
- Ultrasonically sealed polycarbonate lens and housing.
- Patented reflector and optical lens enables 180° viewing angle.
- Meets both FMVSS 108 and ECE "E" photometric requirements and does not require 'TOP' positioning.
- Isolated standard plug and wiring eliminates connector corrosion at the housing.
- Solid state electronics with German technology OSRAM LEDs and Siemens Infineon drivers ensure long life and flicker free operation.

*UNIVERSAL MULTI VOLT APPLICATION 12-28 VOLTS

PART NO.	DESCRIPTION	MOQ
40400ARWB	4" DESIGNER SERIES RED WHITE & BLUE REF AMBER F/P/T LAMP	10
40400BA	4" DESIGNER SERIES BLUE REF AMBER F/P/T GROMMET LAMP	10
40400GA	4" DESIGNER SERIES GREEN REF AMBER F/P/T GROMMET LAMP	10
40400DBA	4" DESIGNER SERIES DIAMOND BLACK REF AMBER F/P/T GROMMET LAMP	10
40400PA	4" DESIGNER SERIES PURPLE REF AMBER F/P/T GROMMET LAMP	10
40400RA	4" DESIGNER SERIES RED REF AMBER F/P/T GROMMET LAMP	10
40400GLDA	4" DESIGNER SERIES GOLD REF AMBER F/P/T GROMMET LAMP	10

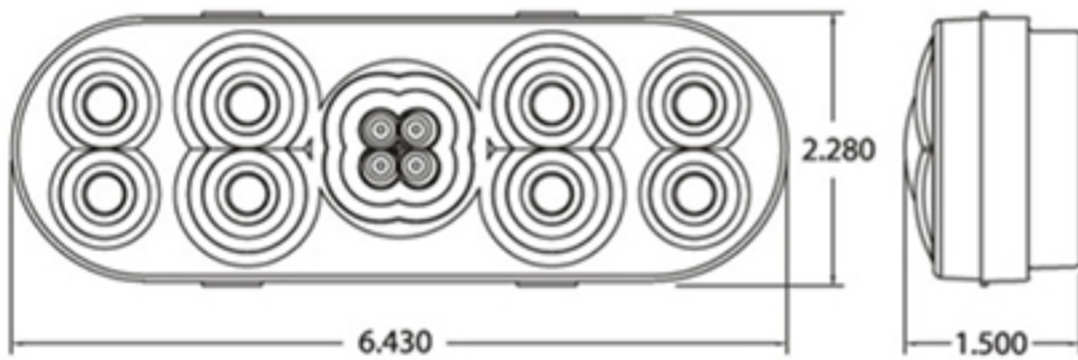


**UNLIMITED
LIFETIME
WARRANTY**

www.AmericanSuperlite.com
Toll Free: 888-208-3967 Tel: 818-771-1311
To Order: sales@americansuperlite.com or Fax: 818-771-1341

MODEL SL8200 F/P/T

AMBER OVAL GROMMET MOUNT FRONT, PARK & TURN LAMP



- 12 LED design.
- Ultrasonically sealed polycarbonate lens and housing.
- Patented reflector and optical lens enables 180° viewing angle.
- Meets both FMVSS 108 and ECE "E" photometric requirements and does not require 'TOP' positioning.
- Isolated standard plug and wiring eliminates connector corrosion at the housing.
- Solid state electronics with German technology OSRAM LEDs and Siemens Infineon drivers ensure long life and flicker free operation.

*PLEASE SPECIFY 12 OR 24 VOLT APPLICATION

PART NO.	DESCRIPTION	MOQ
82200A	AMBER F/P/T GROMMET LAMP	10
82200A3	AMBER F/P/T GROMMET LAMP-QTY	50
82200AC	AMBER/CLEAR LENS F/P/T GROMMET LAMP	10
82200AC3	AMBER/CLEAR LENS F/P/T GROMMET LAMP-QTY	50
82210A	AMBER, BLACK F/P/T GROMMET LAMP KIT	10
82210A3	AMBER, BLACK F/P/T GROMMET LAMP KIT-QTY	50
82210AC	AMBER/CLEAR LENS, F/P/T BLACK GROMMET LAMP KIT	10
82210AC3	AMBER/CLEAR LENS, F/P/T BLACK GROMMET LAMP KIT-QTY	50
82211A	AMBER, F/P/T CLEAR GROMMET LAMP KIT	10
82211A3	AMBER, F/P/T CLEAR GROMMET LAMP KIT-QTY	50
82211AC	AMBER/CLEAR LENS, F/P/T CLEAR GROMMET LAMP KIT	10
82211AC3	AMBER/CLEAR LENS, F/P/T CLEAR GROMMET LAMP KIT-QTY	50



www.AmericanSuperlite.com
 Toll Free: 888-208-3967 Tel: 818-771-1311
 To Order: sales@americansuperlite.com or Fax: 818-771-1341

CRYSTAL CLEAR LED LIGHTING SYSTEMS

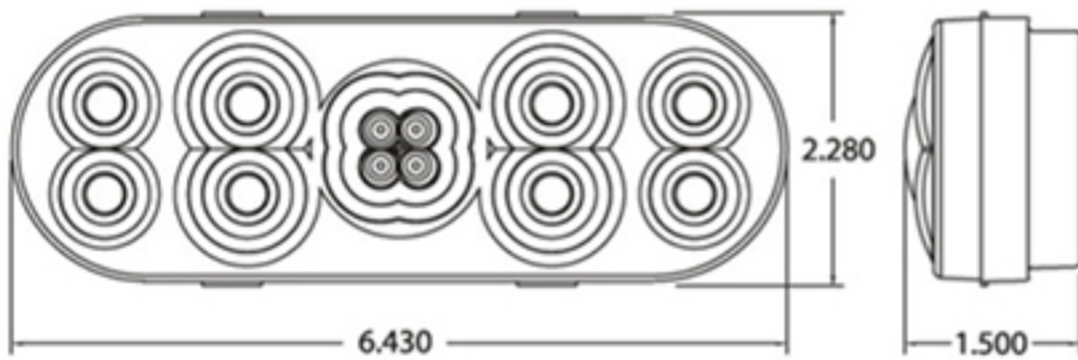


DESIGNER SERIES

MODEL SL8200 F/P/T AMBER OVAL FRONT, PARK & TURN LAMP



All Products DOT Approved. All lamps light up in **AMBER**



- 12 LED design.
- Ultrasonically sealed polycarbonate lens and housing.
- Patented reflector and optical lens enables 180° viewing angle.
- Meets both FMVSS 108 and ECE "E" photometric requirements and does not require 'TOP' positioning.
- Isolated standard plug and wiring eliminates connector corrosion at the housing.
- Solid state electronics with German technology OSRAM LEDs and Siemens Infineon drivers ensure long life and flicker free operation.

*PLEASE SPECIFY 12 OR 24 VOLT APPLICATION

PART NO.	DESCRIPTION	MOQ
82400ARWB	OVAL DESIGNER SERIES RED WHITE AND BLUE REF AMBER F/P/T GROMMET LAMP	10
82400BA	OVAL DESIGNER SERIES BLUE REF AMBER F/P/T GROMMET LAMP	10
82400GA	OVAL DESIGNER SERIES GREEN REF AMBER F/P/T GROMMET LAMP	10
82400DBA	OVAL DESIGNER SERIES LIGHT BLUE REF AMBER F/P/T GROMMET LAMP	10
82400PA	OVAL DESIGNER SERIES PURPLE REF AMBER F/P/T GROMMET LAMP	10
82400RA	OVAL DESIGNER SERIES RED REF AMBER F/P/T GROMMET LAMP	10
82400GLDA	OVAL DESIGNER SERIES GOLD REF AMBER F/P/T GROMMET LAMP	10



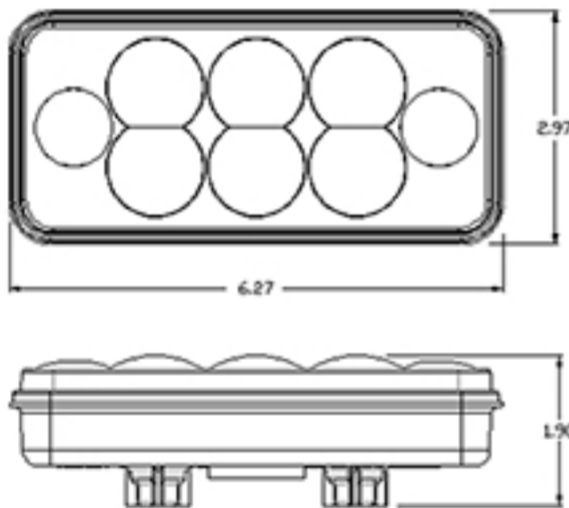
**UNLIMITED
LIFETIME
WARRANTY**

www.AmericanSuperlite.com
Toll Free: 888-208-3967 Tel: 818-771-1311
To Order: sales@americansuperlite.com or Fax: 818-771-1341

MODEL SL5000 F/T/T AMBER STUD MOUNT FRONT, PARK & TURN LAMP



All Products DOT Approved. All lamps light up in **AMBER**



- 8 LED design.
- Ultrasonically sealed polycarbonate lens and housing.
- Patented reflector and optical lens enables 180° viewing angle.
- Meets both FMVSS 108 and ECE "E" photometric requirements and does not require 'TOP' positioning.
- Isolated standard plug and wiring eliminates connector corrosion at the housing.
- Solid state electronics with German technology OSRAM LEDs and Siemens Infineon drivers ensure long life and flicker free operation.

*UNIVERSAL MULTI VOLT APPLICATION 12-28 VOLTS

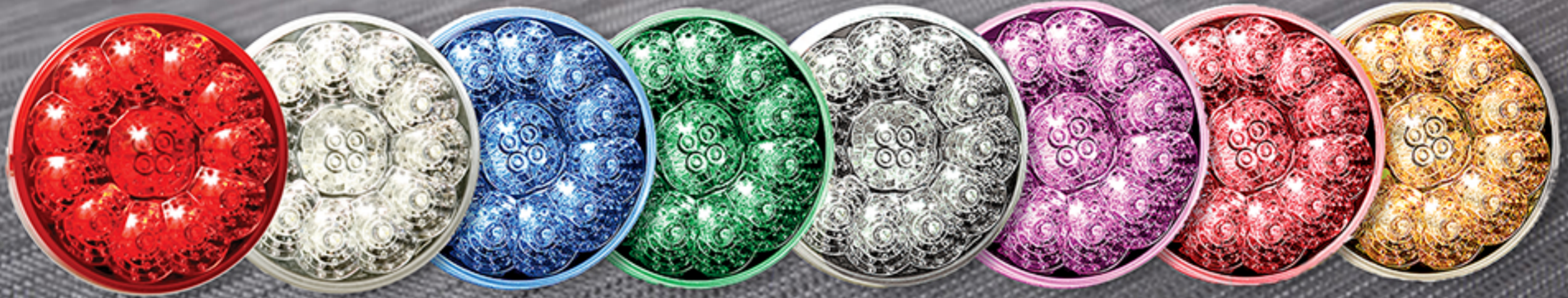
PART NO.	DESCRIPTION	MOQ
50200A	AMBER STUD MOUNT F/P/T LAMP	10
50200A3	AMBER STUD MOUNT F/P/T LAMP-QTY	50
50200AC	AMBER/CLEAR LENS STUD MOUNT F/P/T LAMP	10
50200AC3	AMBER/CLEAR LENS STUD MOUNT F/P/T LAMP-QTY	50
DESIGNER SERIES		
50400BA	DESIGNER SERIES BLUE REF AMBER F/P/T STUD MOUNT LAMP	10
50400GA	DESIGNER SERIES GREEN REF AMBER F/P/T STUD MOUNT LAMP	10
50400DBA	DESIGNER SERIES DIAMOND BLACK REF AMBER F/P/T STUD MOUNT LAMP	10
50400PA	DESIGNER SERIES PURPLE REF AMBER F/P/T STUD MOUNT LAMP	10
50400RA	DESIGNER SERIES RED REF AMBER F/P/T STUD MOUNT LAMP	10
50400GLDA	DESIGNER SERIES GOLD REF AMBER F/P/T STUD MOUNT LAMP	10



www.AmericanSuperlite.com
 Toll Free: 888-208-3967 Tel: 818-771-1311
 To Order: sales@americansuperlite.com or Fax: 818-771-1341

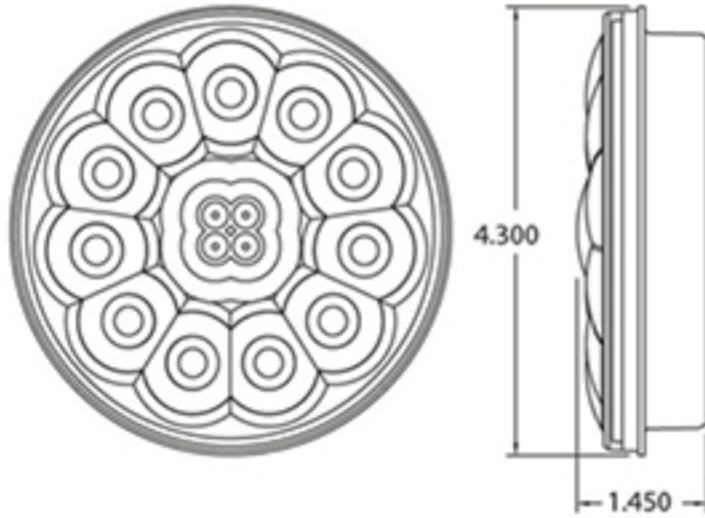


MODEL SL4900 STROBE RED 4" ROUND RED STROBE LAMPS



Built in programmable microprocessor eliminates additional strobe control box.

All Products DOT Approved. All lamps light up in **RED**



- 15 LED design
- Ultrasonically sealed polycarbonate lens and housing.
- Patented reflector and optical lens enables 180° viewing angle.
- Meets both FMVSS 108 and ECE "E" photometric requirements and does not require 'TOP' positioning.
- Isolated standard plug and wiring eliminates connector corrosion at the housing.
- Solid state electronics with German technology OSRAM LEDs and Siemens Infineon drivers ensure long life and flicker free operation.

*12 VOLT APPLICATION ONLY

SEE WIRING DIAGRAM ON PAGE 34

PART NO.	DESCRIPTION	MOQ
40900R	RED STROBE LAMP	10
40900R3	RED STROBE LAMP-QTY	50
40900RC	RED/CLEAR LENS STROBE LAMP	10
40900RC3	RED/CLEAR LENS STROBE LAMP-QTY	50
49200BR	DESIGNER SERIES BLUE REF RED STROBE LAMP	10
40900GR	DESIGNER SERIES GREEN REF RED STROBE LAMP	10
40900DBR	DESIGNER SERIES DIAMOND BLACK REF RED STROBE LAMP	10
40900PR	DESIGNER SERIES PURPLE REF RED STROBE LAMP	10
40900RR	DESIGNER SERIES RED REF RED STROBE LAMP	10
40900GLDR	DESIGNER SERIES GOLD REF RED STROBE LAMP	10

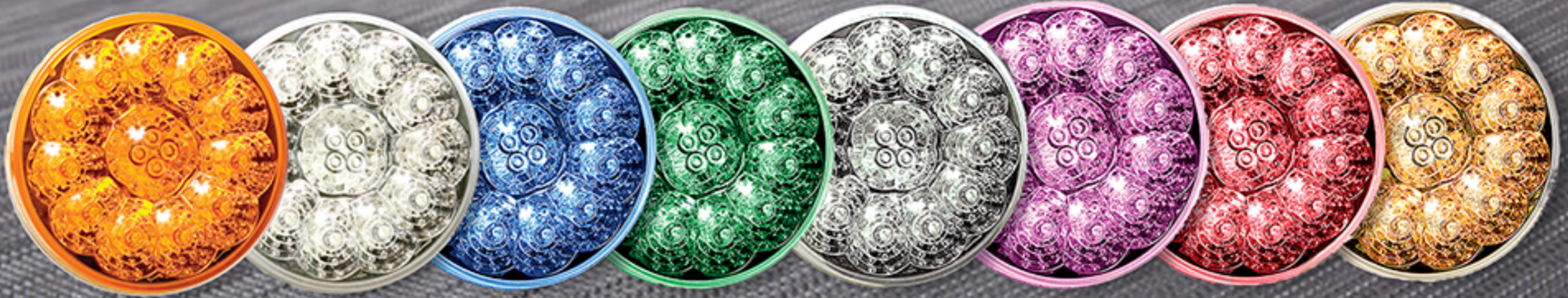


**LIMITED
LIFETIME
WARRANTY**

www.AmericanSuperlite.com
Toll Free: 888-208-3967 Tel: 818-771-1311
To Order: sales@americansuperlite.com or Fax: 818-771-1341

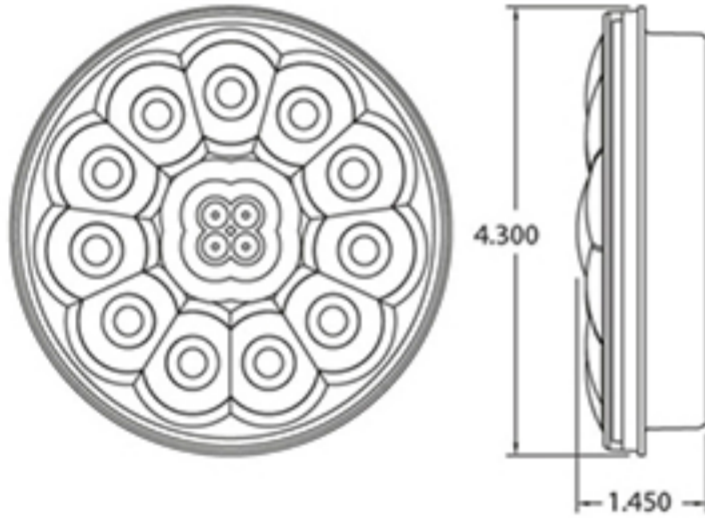


MODEL SL4900 STROBE AMBER 4" ROUND AMBER STROBE LAMPS



Built in programmable microprocessor eliminates additional strobe control box.

All Products DOT Approved. All lamps light up in **AMBER**



- 15 LED design
- Ultrasonically sealed polycarbonate lens and housing.
- Patented reflector and optical lens enables 180° viewing angle.
- Meets both FMVSS 108 and ECE "E" photometric requirements and does not require 'TOP' positioning.
- Isolated standard plug and wiring eliminates connector corrosion at the housing.
- Solid state electronics with German technology OSRAM LEDs and Siemens Infineon drivers ensure long life and flicker free operation.

*12 VOLT APPLICATION ONLY

SEE WIRING DIAGRAM ON PAGE 34

PART NO.	DESCRIPTION	MOQ
40900A	AMBER STROBE LAMP	10
40900A3	AMBER STROBE LAMP-QTY	50
40900AC	AMBER/CLEAR LENS STROBE LAMP	10
40900AC3	AMBER/CLEAR LENS STROBE LAMP-QTY	50
49200BA	DESIGNER SERIES BLUE REF AMBER/CLEAR LENS, STROBE LAMP	10
40900GA	DESIGNER SERIES GREEN REF AMBER STROBE LAMP	10
40900DBA	DESIGNER SERIES DIAMOND BLACK REF AMBER STROBE LAMP	10
40900PA	DESIGNER SERIES PURPLE REF AMBER STROBE LAMP	10
40900RA	DESIGNER SERIES RED REF AMBER STROBE LAMP	10
40900GLDA	DESIGNER SERIES GOLD REF AMBER STROBE LAMP	10



**LIMITED
LIFETIME
WARRANTY**

www.AmericanSuperlite.com
Toll Free: 888-208-3967 Tel: 818-771-1311
To Order: sales@americansuperlite.com or Fax: 818-771-1341



MODEL SL8900 STROBE RED OVAL STROBE LAMPS



Built in programmable microprocessor eliminates additional strobe control box.

All Products DOT Approved. All lamps light up in **RED**

- 12 LED design.
- Ultrasonically sealed polycarbonate lens and housing.
- Patented reflector and optical lens enables 180° viewing angle.
- Meets both FMVSS 108 and ECE "E" photometric requirements and does not require 'TOP' positioning.
- Isolated standard plug and wiring eliminates connector corrosion at the housing.
- Solid state electronics with German technology OSRAM LEDs and Siemens Infineon drivers ensure long life and flicker free operation.

*12 VOLT APPLICATION ONLY

SEE WIRING DIAGRAM ON PAGE 34

PART NO.	DESCRIPTION	MOQ
80900R	OVAL RED STROBE LAMP	10
80900R3	OVAL RED STROBE LAMP-QTY	50
80900RC	OVAL RED/CLEAR LENS RED STROBE LAMP	10
80900RC3	OVAL RED/CLEAR LENS RED STROBE LAMP-QTY	50
80900BR	DESIGNER SERIES BLUE REF OVAL RED STROBE LAMP	10
80900GR	DESIGNER SERIES GREEN REF OVAL RED STROBE LAMP	10
80900DBR	DESIGNER SERIES DIAMOND BLACK REF OVAL RED STROBE LAMP	10
80900PR	DESIGNER SERIES PURPLE REF OVAL RED STROBE LAMP	10
80900RR	DESIGNER SERIES RED REF OVAL RED STROBE LAMP	10
80900GLDR	DESIGNER SERIES GOLD REF OVAL RED STROBE LAMP	10



**LIMITED
LIFETIME
WARRANTY**

www.AmericanSuperlite.com
 Toll Free: 888-208-3967 Tel: 818-771-1311
 To Order: sales@americansuperlite.com or Fax: 818-771-1341

MODEL SL8900 STROBE AMBER OVAL STROBE LAMPS



Built in programmable microprocessor eliminates additional strobe control box.

All Products DOT Approved. All lamps light up in **AMBER**

- 12 LED design.
- Ultrasonically sealed polycarbonate lens and housing.
- Patented reflector and optical lens enables 180° viewing angle.
- Meets both FMVSS 108 and ECE "E" photometric requirements and does not require 'TOP' positioning.
- Isolated standard plug and wiring eliminates connector corrosion at the housing.
- Solid state electronics with German technology OSRAM LEDs and Siemens Infineon drivers ensure long life and flicker free operation.

*12 VOLT APPLICATION ONLY

SEE WIRING DIAGRAM ON PAGE 34

PART NO.	DESCRIPTION	MOQ
80900A	OVAL AMBER STROBE LAMP	10
80900A3	OVAL AMBER STROBE LAMP-QTY	50
80900AC	OVAL AMBER/CLEAR LENS STROBE LAMP	10
80900AC3	OVAL AMBER/CLEAR LENS STROBE LAMP-QTY	50
80900BA	DESIGNER SERIES BLUE REF OVAL AMBER STROBE LAMP	10
80900GA	DESIGNER SERIES GREEN REF OVAL AMBER STROBE LAMP	10
80900DBA	DESIGNER SERIES DIAMOND BLACK REF OVAL AMBER STROBE LAMP	10
80900PA	DESIGNER SERIES PURPLE REF OVAL AMBER STROBE LAMP	10
80900RA	DESIGNER SERIES RED REF OVAL AMBER STROBE LAMP	10
80900GLDA	DESIGNER SERIES GOLD REF OVAL AMBER STROBE LAMP	10



**LIMITED
LIFETIME
WARRANTY**

www.AmericanSuperlite.com
 Toll Free: 888-208-3967 Tel: 818-771-1311
 To Order: sales@americansuperlite.com or Fax: 818-771-1341

WHITE DRAGON SERIES SL4800 & SL8800 BACK-UP LAMPS



All Products DOT Approved. All lamps light up in **WHITE**

- 100% water proof epoxy encapsulated system
- Die-cast aluminum housing/heat sink for super bright OSRAM LEDs
- Durable optical lens with scratch resistant UV coating
- Patented reflector design for maximum light positioning
- Solid state electronics ensures long life and trouble free operation
- Incorporated 7" wire harness with standard female plug
- Available in 12 or 24 volts (specify when ordering)

*PLEASE SPECIFY 12 OR 24 VOLT APPLICATION

PART NO.	DESCRIPTION	MOQ
40800W-12V	WHITE DRAGON 4" ROUND LED BACK-UP LAMP 12 VOLTS	10
40800W-24V	WHITE DRAGON 4" ROUND LED BACK-UP LAMP 24 VOLTS	10
82800W-12V	WHITE DRAGON OVAL LED BACK-UP LAMP 12 VOLTS	10
82800W-24V	WHITE DRAGON OVAL LED BACK-UP LAMP 24 VOLTS	10



LIMITED LIFETIME WARRANTY

www.AmericanSuperlite.com
 Toll Free: 888-208-3967 Tel: 818-771-1311
 To Order: sales@americansuperlite.com or Fax: 818-771-1341

WHITE LED SERIES INTERIOR & UTILITY LAMPS



All lamps light up in **WHITE**

LAMP DIAGRAM & SPECIFICATION

SL2000	Page 27-28
SL2500	Page 25-26
SL3100	Page 23-24
SL4000	Page 1, 6
SL4200	Page 21-22
SL5000	Page 5, 10
SL6200	Page 19-20
SL8200	Page 3, 8

*PLEASE SPECIFY 12 OR 24 VOLT APPLICATION

PART NO.	DESCRIPTION	MOQ
20800WU	MODEL SL2000 2" ROUND WHITE LED INTERIOR & UTILITY LAMP	10
25800WU	MODEL SL2500 2 1/2" ROUND WHITE LED INTERIOR & UTILITY LAMP	10
31800WU	MODEL SL3100 WHITE LED INTERIOR & UTILITY LAMP	10
40800WU	MODEL SL4000 4" ROUND WHITE LED INTERIOR & UTILITY LAMP	10
42800WU	MODEL SL4200 WHITE LED INTERIOR & UTILITY LAMP	10
50800WU	MODEL SL5000 STUD MOUNT WHITE LED INTERIOR & UTILITY LAMP	10
62800WU	MODEL SL6200 WHITE LED INTERIOR & UTILITY LAMP	10
82800WU	MODEL SL8200 OVAL WHITE LED INTERIOR & UTILITY LAMP	10



**LIMITED
LIFETIME
WARRANTY**

www.AmericanSuperlite.com
Toll Free: 888-208-3967 Tel: 818-771-1311
To Order: sales@americansuperlite.com or Fax: 818-771-1341



GREEN LED SERIES INTERIOR & UTILITY LAMPS



All lamps light up in **GREEN**

LAMP DIAGRAM & SPECIFICATION

SL2000	Page 27-28
SL2500	Page 25-26
SL3100	Page 23-24
SL4000	Page 1, 6
SL4200	Page 21-22
SL6200	Page 19-20
SL8200	Page 3, 8

*PLEASE SPECIFY 12 OR 24 VOLT APPLICATION

PART NO.	DESCRIPTION	MOQ
20800GG	MODEL SL2000 2" ROUND GREEN LED GREEN REFLECTOR INTERIOR & UTILITY LAMP	10
20800SG	MODEL SL2000 2" ROUND GREEN LED SILVER REFLECTOR INTERIOR & UTILITY LAMP	10
25800GG	MODEL SL2500 2 1/2" ROUND GREEN LED GREEN REFLECTOR INTERIOR & UTILITY LAMP	10
25800SG	MODEL SL2500 2 1/2" ROUND GREEN LED SILVER REFLECTOR INTERIOR & UTILITY LAMP	10
31800GG	MODEL SL3100 GREEN LED GREEN REFLECTOR INTERIOR & UTILITY LAMP	10
31800SG	MODEL SL3100 GREEN LED SILVER REFLECTOR INTERIOR & UTILITY LAMP-QTY	10
40800GG	MODEL SL4000 4" ROUND GREEN LED GREEN REFLECTOR INTERIOR & UTILITY LAMP	10
40800SG	MODEL SL4000 4" ROUND GREEN LED SILVER REFLECTOR INTERIOR & UTILITY LAMP	10
42800GG	MODEL SL4200 GREEN LED GREEN REFLECTOR INTERIOR & UTILITY LAMP	10
42800SG	MODEL SL4200 GREEN LED SILVER REFLECTOR INTERIOR & UTILITY LAMP	10
62800GG	MODEL SL6200 GREEN LED GREEN REF INTERIOR & UTILITY LAMP	10
62800SG	MODEL SL5000 CLEAR LENS/GREEN LED INTERIOR & UTILITY LAMP	10
82800GG	MODEL SL8200 OVAL GREEN LED GREEN REFLECTOR INTERIOR & UTILITY LAMP	10
82800SG	MODEL SL8200 OVAL GREEN LED SILVER REFLECTOR INTERIOR & UTILITY LAMP	10



**LIMITED
LIFETIME
WARRANTY**

www.AmericanSuperlite.com
Toll Free: 888-208-3967 Tel: 818-771-1311
To Order: sales@americansuperlite.com or Fax: 818-771-1341



BLUE LED SERIES INTERIOR & UTILITY LAMPS



All lamps light up in **BLUE**

LAMP DIAGRAM & SPECIFICATION

SL2000	Page 27-28
SL2500	Page 25-26
SL3100	Page 23-24
SL4000	Page 1, 6
SL4200	Page 21-22
SL6200	Page 19-20
SL8200	Page 3, 8

*PLEASE SPECIFY 12 OR 24 VOLT APPLICATION

PART NO.	DESCRIPTION	MOQ
20800BB	MODEL SL2000 2" ROUND BLUE LED BLUE REFLECTOR INTERIOR & UTILITY LAMP	10
20800SB	MODEL SL2000 2" ROUND BLUE LED SILVER REFLECTOR INTERIOR & UTILITY LAMP	10
25800BB	MODEL SL2500 2 1/2" ROUND BLUE LED BLUE REFLECTOR INTERIOR & UTILITY LAMP	10
25800SB	MODEL SL2500 2 1/2" ROUND BLUE LED SILVER REFLECTOR INTERIOR & UTILITY LAMP	10
31800BB	MODEL SL3100 BLUE LED BLUE REFLECTOR INTERIOR & UTILITY LAMP	10
31800SB	MODEL SL3100 BLUE LED SILVER REFLECTOR INTERIOR & UTILITY LAMP-QTY	10
40800BB	MODEL SL4200 BLUE LED SILVER REFLECTOR INTERIOR & UTILITY LAMP	10
40800SB	MODEL SL4000 4" ROUND BLUE LED SILVER REFLECTOR INTERIOR & UTILITY LAMP	10
42800BB	MODEL SL4200 BLUE LED BLUE REFLECTOR INTERIOR & UTILITY LAMP	10
42800SB	MODEL SL4200 BLUE LED SILVER REFLECTOR INTERIOR & UTILITY LAMP	10
62800BB	MODEL SL6200 BLUE LED BLUE REF INTERIOR & UTILITY LAMP	10
62800SB	MODEL SL6200 BLUE LED SILVER REFLECTOR INTERIOR & UTILITY LAMP	10
82800BB	MODEL SL8200 OVAL BLUE LED BLUE REFLECTOR INTERIOR & UTILITY LAMP	10
82800SB	MODEL SL8200 OVAL BLUE SILVER REFLECTOR INTERIOR & UTILITY LAMP	10



**LIMITED
LIFETIME
WARRANTY**

www.AmericanSuperlite.com
Toll Free: 888-208-3967 Tel: 818-771-1311
To Order: sales@americansuperlite.com or Fax: 818-771-1341

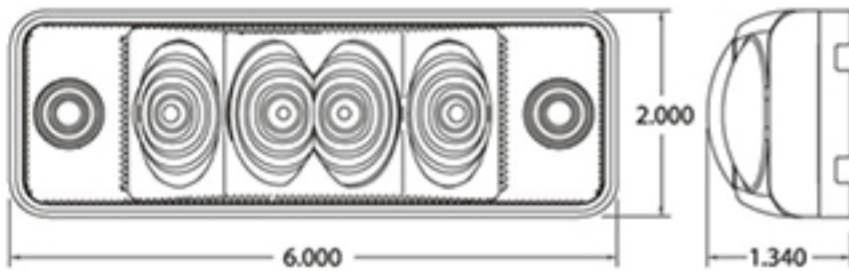


MODEL SL6200

RED COMBINATION MARKER/CLEARANCE LAMPS



All Products DOT Approved. All lamps light up in **RED**



- 4 LED design.
- Ultrasonically sealed polycarbonate lens and housing.
- Patented reflector and optical lens enables 180° viewing angle.
- Meets both DOT and ECE "E" photometric requirements.
- Isolated standard plug and wiring eliminates connector corrosion at the housing.
- Marine rated for boat trailers.
- Solid state electronics with German technology OSRAM LEDs and Siemens Infineon drivers ensure long life and flicker free operation.

*PLEASE SPECIFY 12 OR 24 VOLT APPLICATION

PART NO.	DESCRIPTION	MOQ
62100R	RED MARKER/CLEARANCE LAMP	10
62100R3	RED MARKER/CLEARANCE LAMP-QTY	50
62100RC	RED/CLEAR LENS RED MARKER/CLEARANCE LAMP	10
62100RC3	RED/CLEAR LENS RED MARKER/CLEARANCE LAMP-QTY	50
62400BR	BLUE REF RED MARKER/CLEARANCE LAMP	10
62400GR	GREEN REF RED MARKER/CLEARANCE LAMP	10
62400DBR	DIAMOND BLACK REF RED MARKER/CLEARANCE LAMP	10
62400PR	PURPLE REF RED MARKER/CLEARANCE LAMP	10
62400RR	RED REF RED MARKER/CLEARANCE LAMP	10
62400GLDR	GOLD REF RED MARKER/CLEARANCE LAMP	10



**UNLIMITED
LIFETIME
WARRANTY**

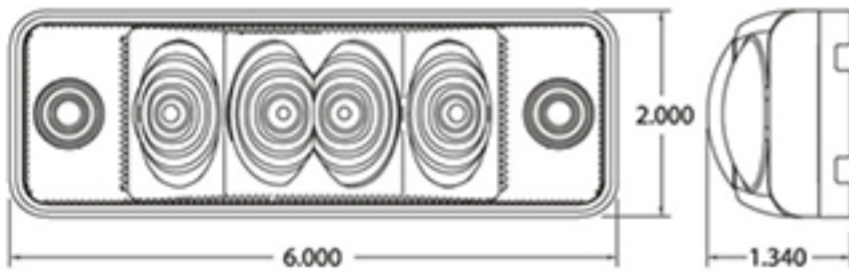
www.AmericanSuperlite.com
 Toll Free: 888-208-3967 Tel: 818-771-1311
 To Order: sales@americansuperlite.com or Fax: 818-771-1341

MODEL SL6200

AMBER COMBINATION MARKER/CLEARANCE LAMPS



All Products DOT Approved. All lamps light up in **AMBER**



- 4 LED design.
- Ultrasonically sealed polycarbonate lens and housing.
- Patented reflector and optical lens enables 180° viewing angle.
- Meets both DOT and ECE "E" photometric requirements.
- Isolated standard plug and wiring eliminates connector corrosion at the housing.
- Marine rated for boat trailers.
- Solid state electronics with German technology OSRAM LEDs and Siemens Infineon drivers ensure long life and flicker free operation.

*PLEASE SPECIFY 12 OR 24 VOLT APPLICATION

PART NO.	DESCRIPTION	MOQ
62100A	AMBER MARKER/CLEARANCE LAMP	10
62100A3	AMBER MARKER/CLEARANCE LAMP-QTY	50
62100AC	AMBER/CLEAR LENS MARKER/CLEARANCE LAMP	10
62100AC3	AMBER/CLEAR LENS MARKER/CLEARANCE LAMP-QTY	50
62400BA	BLUE REF AMBER MARKER/CLEARANCE LAMP	10
62400GA	GREEN REF AMBER MARKER/CLEARANCE LAMP	10
62400DBA	DIAMOND BLACK REF AMBER MARKER/CLEARANCE LAMP	10
62400PA	PURPLE REF AMBER MARKER/CLEARANCE LAMP	10
62400RA	RED REF AMBER MARKER/CLEARANCE LAMP	10
62400GLDA	GOLD REF AMBER MARKER/CLEARANCE LAMP	10



**UNLIMITED
LIFETIME
WARRANTY**

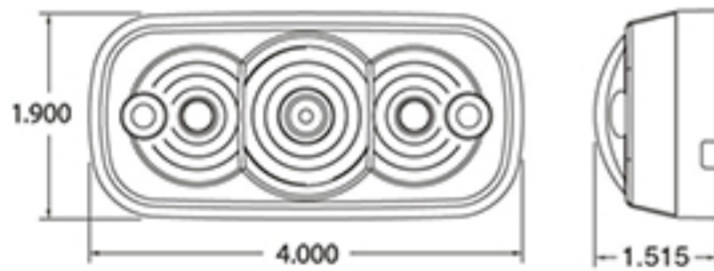
www.AmericanSuperlite.com
 Toll Free: 888-208-3967 Tel: 818-771-1311
 To Order: sales@americansuperlite.com or Fax: 818-771-1341

MODEL SL4200

RED COMBINATION MARKER/CLEARANCE LAMPS



All Products DOT Approved. All lamps light up in **RED**



- 3 LED design.
- Ultrasonically sealed polycarbonate lens and housing.
- Patented reflector and optical lens enables 180° viewing angle.
- Meets both DOT and ECE "E" photometric requirements.
- Isolated standard plug and wiring eliminates connector corrosion at the housing.
- Marine rated for boat trailers.
- Solid state electronics with German technology OSRAM LEDs and Siemens Infineon drivers ensure long life and flicker free operation.

*PLEASE SPECIFY 12 OR 24 VOLT APPLICATION

PART NO.	DESCRIPTION	MOQ
42100R	RED MARKER/CLEARANCE LAMP	10
42100R3	RED MARKER/CLEARANCE LAMP-QTY	50
42100RC	RED/CLEAR LENS RED MARKER/CLEARANCE LAMP	10
42100RC3	RED/CLEAR LENS RED MARKER/CLEARANCE LAMP-QTY	50
42400BR	BLUE REF RED MARKER/CLEARANCE LAMP	10
42400GR	GREEN REF RED MARKER/CLEARANCE LAMP	10
42400DBR	DIAMOND BLACK REF RED MARKER/CLEARANCE LAMP	10
42400PR	PURPLE REF RED MARKER/CLEARANCE LAMP	10
42400RR	RED REF RED MARKER/CLEARANCE LAMP	10
42400GLDR	GOLD REF RED MARKER/CLEARANCE LAMP	10



**UNLIMITED
LIFETIME
WARRANTY**

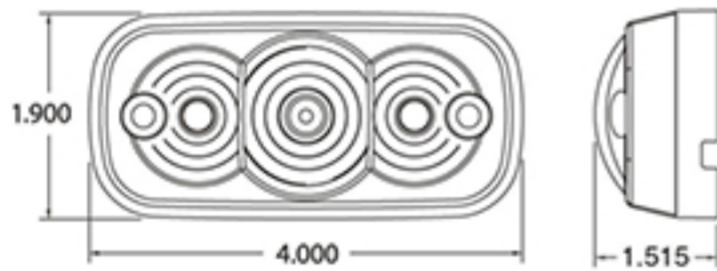
www.AmericanSuperlite.com
 Toll Free: 888-208-3967 Tel: 818-771-1311
 To Order: sales@americansuperlite.com or Fax: 818-771-1341

MODEL SL4200

AMBER COMBINATION MARKER/CLEARANCE LAMPS



All Products DOT Approved. All lamps light up in **AMBER**



- 3 LED design.
- Ultrasonically sealed polycarbonate lens and housing.
- Patented reflector and optical lens enables 180° viewing angle.
- Meets both DOT and ECE "E" photometric requirements.
- Isolated standard plug and wiring eliminates connector corrosion at the housing.
- Marine rated for boat trailers.
- Solid state electronics with German technology OSRAM LEDs and Siemens Infineon drivers ensure long life and flicker free operation.

*PLEASE SPECIFY 12 OR 24 VOLT APPLICATION

PART NO.	DESCRIPTION	MOQ
42100A	AMBER MARKER/CLEARANCE LAMP	10
42100A3	AMBER MARKER/CLEARANCE LAMP-QTY	50
42100AC	AMBER/CLEAR LENS MARKER/CLEARANCE LAMP	10
42100AC3	AMBER/CLEAR LENS MARKER/CLEARANCE LAMP-QTY	50
42400BA	BLUE REF AMBER MARKER/CLEARANCE LAMP	10
42400GA	GREEN REF AMBER MARKER/CLEARANCE LAMP	10
42400DBA	DIAMOND BLACK REF AMBER MARKER/CLEARANCE LAMP	10
42400PA	PURPLE REF AMBER MARKER/CLEARANCE LAMP	10
42400RA	RED REF AMBER MARKER/CLEARANCE LAMP	10
42400GLDA	GOLD REF AMBER MARKER/CLEARANCE LAMP	10



www.AmericanSuperlite.com
 Toll Free: 888-208-3967 Tel: 818-771-1311
 To Order: sales@americansuperlite.com or Fax: 818-771-1341

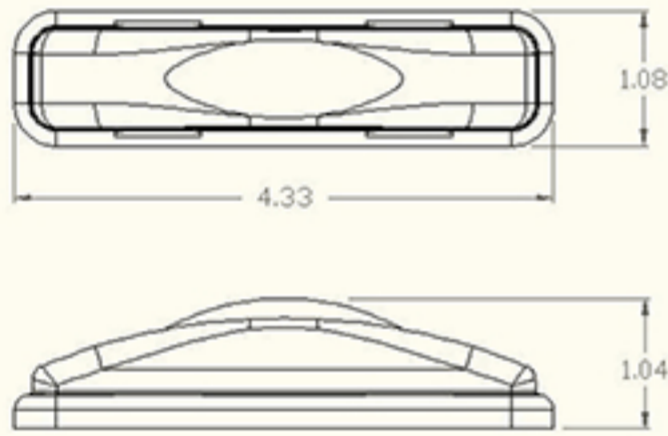
MODEL SL3100

RED COMBINATION MARKER/CLEARANCE LAMPS



All Products DOT Approved. All lamps light up in **RED**

LAMP SNAPS ONTO CHROME BRACKET



SKETCH SHOWN WITH CHROME BRACKET

- 2 LED design.
- Ultrasonically sealed polycarbonate lens and housing.
- Patented reflector and optical lens enables 180° viewing angle.
- Meets both FMVSS 108 and ECE "E" photometric requirements and does not require 'TOP' positioning.
- Isolated standard plug and wiring eliminates connector corrosion at the housing.
- Solid state electronics with German technology OSRAM LEDs and Siemens Infineon drivers ensure long life and flicker free operation.

*12 VOLT APPLICATION ONLY

PART NO.	DESCRIPTION	MOQ
31100R	RED MARKER/CLEARANCE LAMP	10
31100RC	RED/CLEAR LENS RED MARKER/CLEARANCE LAMP	10
31400BR	BLUE REF RED MARKER/CLEARANCE LAMP	10
31400GR	GREEN REF RED MARKER/CLEARANCE LAMP	10
31400DBR	DIAMOND BLACK REF RED MARKER/CLEARANCE LAMP	10
31400PR	PURPLE REF RED MARKER/CLEARANCE LAMP	10
31400RR	RED REF RED MARKER/CLEARANCE LAMP	10
31400GLDR	GOLD REF RED MARKER/CLEARANCE LAMP	10



UNLIMITED LIFETIME WARRANTY

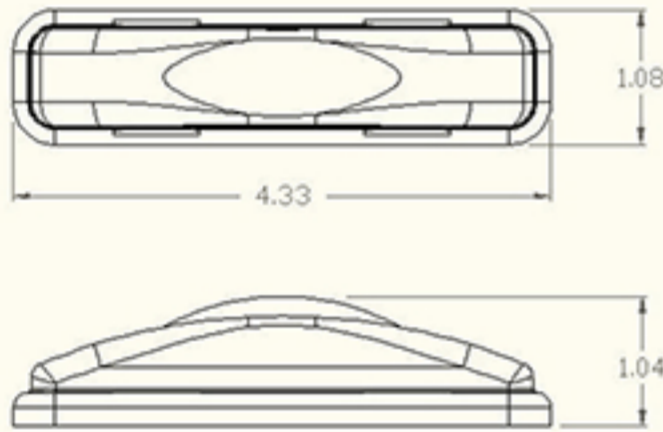
www.AmericanSuperlite.com
 Toll Free: 888-208-3967 Tel: 818-771-1311
 To Order: sales@americansuperlite.com or Fax: 818-771-1341

MODEL SL3100

AMBER COMBINATION MARKER/CLEARANCE LAMPS



All Products DOT Approved. All lamps light up in **AMBER**



SKETCH SHOWN WITH CHROME BRACKET

- 2 LED design.
- Ultrasonically sealed polycarbonate lens and housing.
- Patented reflector and optical lens enables 180° viewing angle.
- Meets both FMVSS 108 and ECE "E" photometric requirements and does not require 'TOP' positioning.
- Isolated standard plug and wiring eliminates connector corrosion at the housing.
- Solid state electronics with German technology OSRAM LEDs and Siemens Infineon drivers ensure long life and flicker free operation.

*12 VOLT APPLICATION ONLY

PART NO.	DESCRIPTION	MOQ
31100A	AMBER MARKER/CLEARANCE LAMP	10
31100AC	AMBER/CLEAR LENS MARKER/CLEARANCE LAMP	10
31400BA	BLUE REF AMBER MARKER/CLEARANCE LAMP	10
31400GA	GREEN REF AMBER MARKER/CLEARANCE LAMP	10
31400DBA	DIAMOND BLACK REF AMBER MARKER/CLEARANCE LAMP	10
31400PA	PURPLE REF AMBER MARKER/CLEARANCE LAMP	10
31400RA	RED REF AMBER MARKER/CLEARANCE LAMP	10
31400GLDA	GOLD REF AMBER MARKER/CLEARANCE LAMP	10



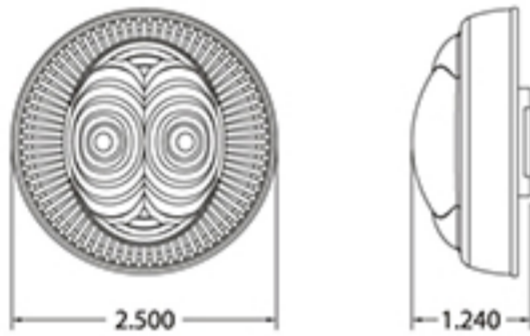
www.AmericanSuperlite.com
 Toll Free: 888-208-3967 Tel: 818-771-1311
 To Order: sales@americansuperlite.com or Fax: 818-771-1341

MODEL SL2500

RED 2.5" COMBINATION MARKER/CLEARANCE LAMPS



All Products DOT Approved. All lamps light up in **RED**



- 2 LED design.
- Ultrasonically sealed polycarbonate lens and housing.
- Patented reflector and optical lens enables 180° viewing angle.
- Meets both DOT and ECE "E" photometric requirements.
- Isolated standard plug and wiring eliminates connector corrosion at the housing.
- Solid state electronics with German technology OSRAM LEDs and Siemens Infineon drivers ensure long life and flicker free operation.

*PLEASE SPECIFY 12 OR 24 VOLT APPLICATION

PART NO.	DESCRIPTION	MOQ
25200R	RED LAMP	10
25200R3	RED LAMP-QTY	50
25200RC	RED/CLEAR LENS LAMP	10
25200RC3	RED/CLEAR LENS LAMP-QTY	50
25210R	RED, BLACK GROMMET LAMP KIT	10
25210R3	RED, BLACK GROMMET LAMP KIT-QTY	50
25210RC	RED/CLEAR LENS, BLACK GROMMET LAMP KIT	10
25210RC3	RED/CLEAR LENS, BLACK GROMMET LAMP KIT QTY	50
25211R	RED, CLEAR GROMMET LAMP KIT	10
25211R3	RED, CLEAR GROMMET LAMP KIT-QTY	50
25211RC	RED/CLEAR LENS, CLEAR GROMMET LAMP KIT	10
25211RC3	RED/CLEAR LENS, CLEAR GROMMET LAMP KIT-QTY	50
25400BR	BLUE REF RED MARKER/CLEARANCE LAMP	10
25400GR	GREEN REF RED MARKER/CLEARANCE LAMP	10
25400DBR	DIAMOND BLACK REF RED MARKER/CLEARANCE LAMP	10
25400PR	PURPLE REF RED MARKER/CLEARANCE LAMP	10
25400RR	RED REF RED MARKER/CLEARANCE LAMP	10
25400GLDR	GOLD REF RED MARKER/CLEARANCE LAMP	10



www.AmericanSuperlite.com
 Toll Free: 888-208-3967 Tel: 818-771-1311
 To Order: sales@americansuperlite.com or Fax: 818-771-1341

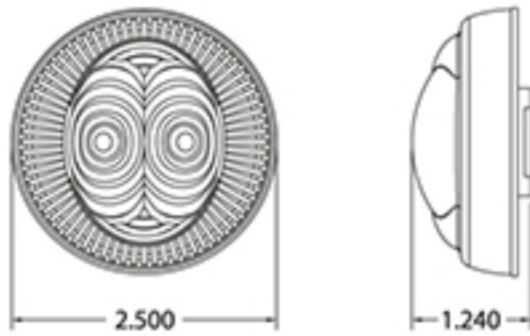


MODEL SL2500

RED 2.5" COMBINATION MARKER/CLEARANCE LAMPS



All Products DOT Approved. All lamps light up in **AMBER**



- 2 LED design.
- Ultrasonically sealed polycarbonate lens and housing.
- Patented reflector and optical lens enables 180° viewing angle.
- Meets both DOT and ECE "E" photometric requirements.
- Isolated standard plug and wiring eliminates connector corrosion at the housing.
- Solid state electronics with German technology OSRAM LEDs and Siemens Infineon drivers ensure long life and flicker free operation.

*PLEASE SPECIFY 12 OR 24 VOLT APPLICATION

PART NO.	DESCRIPTION	MOQ
25200A	AMBER LAMP	10
25200A3	AMBER LAMP-QTY	50
25200AC	AMBER/CLEAR LENS LAMP	10
25200AC3	AMBER/CLEAR LENS LAMP-QTY	50
25210A	AMBER, BLACK GROMMET LAMP KIT	10
25210A3	AMBER, BLACK GROMMET LAMP KIT-QTY	50
25210AC	AMBER/CLEAR LENS, BLACK GROMMET LAMP KIT	10
25210AC3	AMBER/CLEAR LENS, BLACK GROMMET LAMP KIT-QTY	50
25211A	AMBER, CLEAR GROMMET LAMP KIT	10
25211A3	AMBER, CLEAR GROMMET LAMP KIT-QTY	50
25211AC	AMBER/CLEAR LENS, CLEAR GROMMET LAMP KIT	10
25211AC3	AMBER/CLEAR LENS, CLEAR GROMMET LAMP KIT-QTY	50
25400BA	BLUE REF AMBER MARKER/CLEARANCE LAMP	10
25400GA	GREEN REF AMBER MARKER/CLEARANCE LAMP	10
25400DBA	DIAMOND BLACK REF AMBER MARKER/CLEARANCE LAMP	10
25400PA	PURPLE REF AMBER MARKER/CLEARANCE LAMP	10
25400RA	RED REF AMBER MARKER/CLEARANCE LAMP	10
25400GLDA	GOLD REF AMBER MARKER/CLEARANCE LAMP	10



**UNLIMITED
LIFETIME
WARRANTY**

www.AmericanSuperlite.com
Toll Free: 888-208-3967 Tel: 818-771-1311
To Order: sales@americansuperlite.com or Fax: 818-771-1341

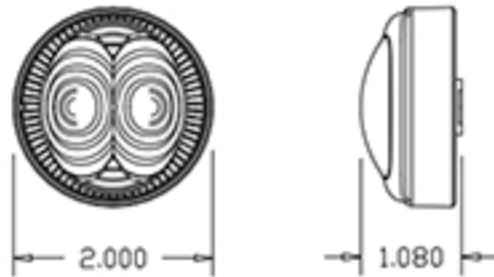


MODEL SL2000

RED 2" COMBINATION MARKER/CLEARANCE LAMPS



All Products DOT Approved. All lamps light up in **RED**



- 2 LED design.
- Ultrasonically sealed polycarbonate lens and housing.
- Patented reflector and optical lens enables 180° viewing angle.
- Meets both DOT and ECE "E" photometric requirements.
- Isolated standard plug and wiring eliminates connector corrosion at the housing.
- Solid state electronics with German technology OSRAM LEDs and Siemens Infineon drivers ensure long life and flicker free operation.

*PLEASE SPECIFY 12 OR 24 VOLT APPLICATION

PART NO.	DESCRIPTION	MOQ
20200R	RED LAMP	10
20200R3	RED LAMP-QTY	50
20200RC	RED/CLEAR LENS LAMP	10
20200RC3	RED/CLEAR LENS LAMP-QTY	50
20210R	RED, BLACK GROMMET LAMP KIT	10
20210R3	RED, BLACK GROMMET LAMP KIT-QTY	50
20210RC	RED/CLEAR LENS, BLACK GROMMET LAMP KIT	10
20210RC3	RED/CLEAR LENS, BLACK GROMMET LAMP KIT QTY	50
20211R	RED, CLEAR GROMMET LAMP KIT	10
20211R3	RED, CLEAR GROMMET LAMP KIT-QTY	50
20211RC	RED/CLEAR LENS, CLEAR GROMMET LAMP KIT	10
20211RC3	RED/CLEAR LENS, CLEAR GROMMET LAMP KIT-QTY	50
20400BR	BLUE REF RED MARKER/CLEARANCE LAMP	10
20400GR	GREEN REF RED MARKER/CLEARANCE LAMP	10
20400DBR	DIAMOND BLACK REF RED MARKER/CLEARANCE LAMP	10
20400PR	PURPLE REF RED MARKER/CLEARANCE LAMP	10
20400RR	RED REF RED MARKER/CLEARANCE LAMP	10
20400GLDR	GOLD REF RED MARKER/CLEARANCE LAMP	10



www.AmericanSuperlite.com
 Toll Free: 888-208-3967 Tel: 818-771-1311
 To Order: sales@americansuperlite.com or Fax: 818-771-1341

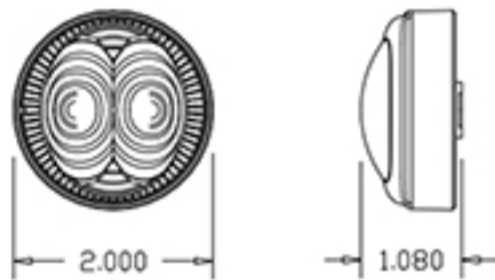


MODEL SL2000

AMBER 2" COMBINATION MARKER/CLEARANCE LAMPS



All Products DOT Approved. All lamps light up in **AMBER**



- 2 LED design.
- Ultrasonically sealed polycarbonate lens and housing.
- Patented reflector and optical lens enables 180° viewing angle.
- Meets both DOT and ECE "E" photometric requirements.
- Isolated standard plug and wiring eliminates connector corrosion at the housing.
- Solid state electronics with German technology OSRAM LEDs and Siemens Infineon drivers ensure long life and flicker free operation.

*PLEASE SPECIFY 12 OR 24 VOLT APPLICATION

PART NO.	DESCRIPTION	MOQ
20200A	AMBER LAMP	10
20200A3	AMBER LAMP-QTY	50
20200AC	AMBER/CLEAR LENS LAMP	10
20200AC3	AMBER/CLEAR LENS LAMP-QTY	50
20210A	AMBER, BLACK GROMMET LAMP KIT	10
20210A3	AMBER, BLACK GROMMET LAMP KIT-QTY	50
20210AC	AMBER/CLEAR LENS, BLACK GROMMET LAMP KIT	10
20210AC3	AMBER/CLEAR LENS, BLACK GROMMET LAMP KIT-QTY	50
20211A	AMBER, CLEAR GROMMET LAMP KIT	10
20211A3	AMBER, CLEAR GROMMET LAMP KIT-QTY	50
20211AC	AMBER/CLEAR LENS, CLEAR GROMMET LAMP KIT	10
20211AC3	AMBER/CLEAR LENS, CLEAR GROMMET LAMP KIT-QTY	50
20400BA	BLUE REF AMBER MARKER/CLEARANCE LAMP	10
20400GA	GREEN REF AMBER MARKER/CLEARANCE LAMP	10
20400DBA	DIAMOND BLACK REF AMBER MARKER/CLEARANCE LAMP	10
20400PA	PURPLE REF AMBER MARKER/CLEARANCE LAMP	10
20400RA	RED REF AMBER MARKER/CLEARANCE LAMP	10
20400GLDA	GOLD REF AMBER MARKER/CLEARANCE LAMP	10

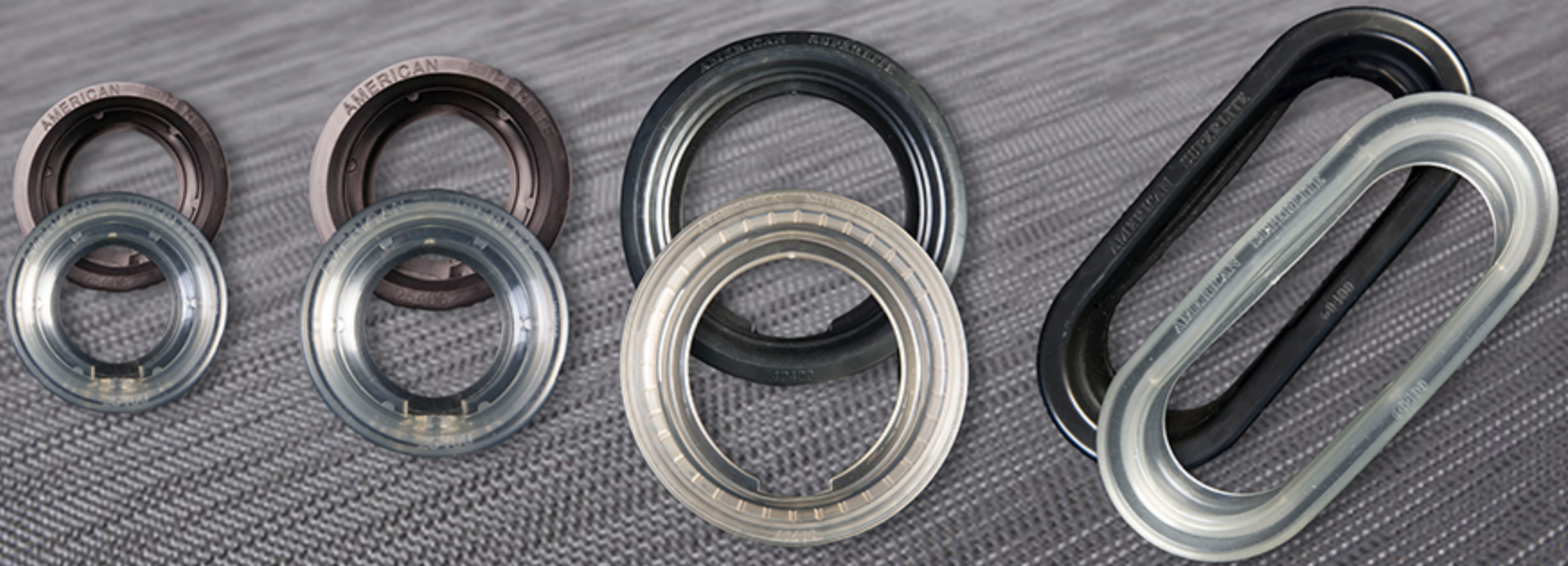


**UNLIMITED
LIFETIME
WARRANTY**

www.AmericanSuperlite.com
 Toll Free: 888-208-3967 Tel: 818-771-1311
 To Order: sales@americansuperlite.com or Fax: 818-771-1341



RUBBER GROMMETS



MOUNTING HOLE DIAMETERS

SL2000 (2" lamp)	2.31"
SL2500 (2 ½" lamp)	2.78"
SL8200 (oval lamp)	4.25" (center to center with 1.25" radius on both ends)

SL4000 (4" Light)

PLATE THICKNESS	HOLE DIAMETER
1/16"	4.47"
1/8"	4.50"
3/16"	4.50"
¼"	4.53"
3/8"	4.56"

PART NO.

DESCRIPTION

MOQ

20400	MODEL SL2000 BLACK GROMMET	25
20400-3	MODEL SL2000 BLACK GROMMET-QTY	100
20407	MODEL SL2000 CLEAR GROMMET	25
20407-3	MODEL SL2000 CLEAR GROMMET-QTY	100
25400	MODEL SL2500 BLACK GROMMET	25
25400-3	MODEL SL2500 BLACK GROMMET-QTY	100
25407	MODEL SL2500 CLEAR GROMMET	25
25407-3	MODEL SL2500 CLEAR GROMMET-QTY	100
40400	MODEL SL4000 BLACK GROMMET	25
40400-3	MODEL SL4000 BLACK GROMMET-QTY	100
40407	MODEL SL4000 CLEAR GROMMET	25
40407-3	MODEL SL4000 CLEAR GROMMET-QTY	100
60400	MODEL SL8200 BLACK GROMMET	25
60400-3	MODEL SL8200 BLACK GROMMET-QTY	100
60407	MODEL SL8200 CLEAR GROMMET	25
60407-3	MODEL SL8200 CLEAR GROMMET-QTY	100



www.AmericanSuperlite.com

Toll Free: 888-208-3967 Tel: 818-771-1311

To Order: sales@americansuperlite.com or Fax: 818-771-1341



FLANGES
STANDARD AND DESIGNER SERIES



- Theft proof locking mechanism prevents lamp from being stolen
- Flange snaps directly onto the lamp
- Made with durable Poly carbonate plastic
- Screw or rivet mount
- Durable chrome finish

PART NO.	DESCRIPTION	MOQ
40300B	MODEL 4000 4" ROUND STANDARD BLACK FLANGE	25
40300B-3	MODEL 4000 4" ROUND STANDARD BLACK FLANGE-QTY	100
40300C	MODEL 4000 4" ROUND STANDARD CHROME FLANGE	25
40300C-3	MODEL 4000 4" ROUND STANDARD CHROME FLANGE-QTY	100
40300DC	MODEL 4000 4" ROUND DESIGNER SERIES CHROME FLANGE	25
40300DC-3	MODEL 4000 4" ROUND DESIGNER SERIES CHROME FLANGE-QTY	100
80300B	MODEL 8200 OVAL BLACK FLANGE	25
80300B-3	MODEL 8200 OVAL BLACK FLANGE-QTY	100
80300C	MODEL 8200 OVAL CHROME FLANGE	25
80300C-3	MODEL 8200 OVAL CHROME FLANGE-QTY	100



STEEL BRACKETS



- Powder coated black steel bracket
- Rubber grommet or flange must be used to mount lamp
- Pre drilled screw mounting holes
- Can be used with all 4" round or SL8200 oval model lamps

PART NO.	DESCRIPTION	MOQ
40500	4" ROUND LAMP STEEL MOUNTING BRACKET	10
40500-3	4" ROUND LAMP STEEL MOUNTING BRACKET-QTY	25
60500	OVAL LAMP STEEL MOUNTING BRACKET	10
60500-3	OVAL LAMP STEEL MOUNTING BRACKET-QTY	25



ELECTRONIC FLASHERS & RELAYS



SLEF32H



SLEF32L



SLEF33H



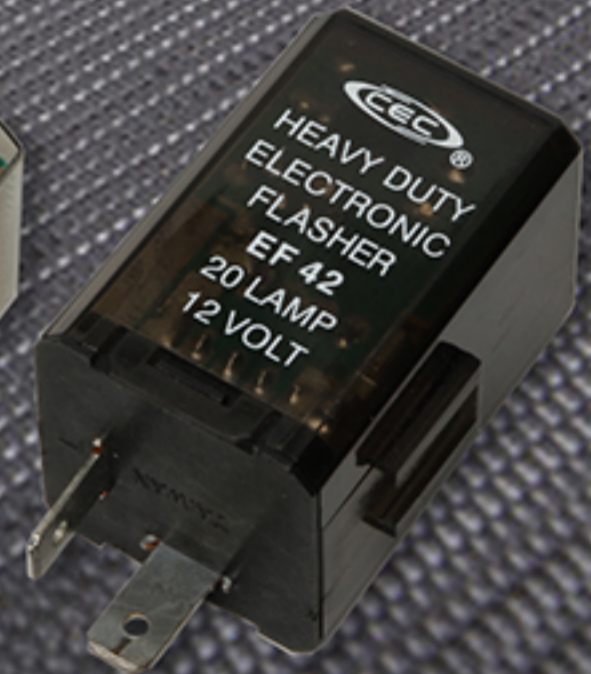
SLEF33L



SLEF40



SLEF41



SLEF42

PART NO.

DESCRIPTION

MOQ

SLEF32H	12 LAMP, 2 TERMINAL ELECTRONIC FLASHER	10
SLEF32H-3	12 LAMP, 2 TERMINAL ELECTRONIC FLASHER-QTY	25
SLEF32L	SELF ADJUSTING, 2 TERMINAL LED FLASHER	10
SLEF32L-3	SELF ADJUSTING, 2 TERMINAL LED FLASHER-QTY	25
SLEF33H	12 LAMP, 3 TERMINAL ELECTRONIC FLASHER	10
SLEF33H-3	12 LAMP, 3 TERMINAL ELECTRONIC FLASHER-QTY	25
SLEF33L	SELF ADJUSTING, 3 TERMINAL LED FLASHER	10
SLEF33L-3	SELF ADJUSTING, 3 TERMINAL LED FLASHER-QTY	25
SLEF40	16 LAMP, 2 TERMINAL ELECTRONIC FLASHER	10
SLEF40-3	16 LAMP, 2 TERMINAL ELECTRONIC FLASHER-QTY	25
SLEF41	16 LAMP, 3 TERMINAL ELECTRONIC FLASHER	10
SLEF41-3	16 LAMP, 3 TERMINAL ELECTRONIC FLASHER-QTY	25
SLEF42	20 LAMP, 2 TERMINAL ELECTRONIC FLASHER	10
SLEF42-3	20 LAMP, 2 TERMINAL ELECTRONIC FLASHER-QTY	25



WIRE HARNESS AND PLUGS



PART NO.	DESCRIPTION	MOQ
20720	CLEARANCE/MARKER LAMP MALE PIGTAIL PLUG	25
20720-3	CLEARANCE/MARKER LAMP MALE PIGTAIL PLUG-QTY	100
20721	CLEARANCE/MARKER LAMP FEMALE PIGTAIL PLUG	25
20721-3	CLEARANCE/MARKER LAMP FEMALE PIGTAIL PLUG-QTY	100
42720	WHITE DRAGON LAMP MALE PIGTAIL PLUG	25
42720-3	WHITE DRAGON LAMP MALE PIGTAIL PLUG-QTY	100
42721	WHITE DRAGON LAMP FEMALE PIGTAIL PLUG	25
42721-3	WHITE DRAGON LAMP FEMALE PIGTAIL PLUG-QTY	100
42730	S/T/T LAMP MALE PIGTAIL PLUG	25
42730-3	S/T/T LAMP MALE PIGTAIL PLUG-QTY	100
42731	S/T/T LAMP FEMALE PIGTAIL PLUG	25
42731-3	S/T/T LAMP FEMALE PIGTAIL PLUG-QTY	100



www.AmericanSuperlite.com

Toll Free: 888-208-3967 Tel: 818-771-1311

To Order: sales@americansuperlite.com or Fax: 818-771-1341

LAMP WIRING DIAGRAMS

STROBE LAMP

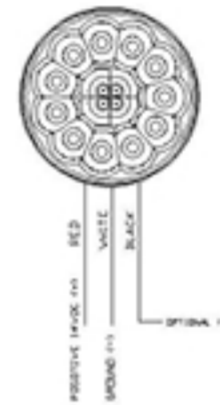
RED WIRE: 12 VOLT POSITIVE (+)
 WHITE WIRE: NEGATIVE (-)
 BLACK WIRE: OPTIONAL PROGRAMMABLE (-)*

SYNCHRONIZED STROBE: FOR 2 OR MORE LAMPS TO STROBE TOGETHER CONNECT RED WIRE TO 12 VOLTS (+) AND WHITE WIRE TO NEGATIVE (-) ONLY. DO NOT CONNECT BLACK WIRE.

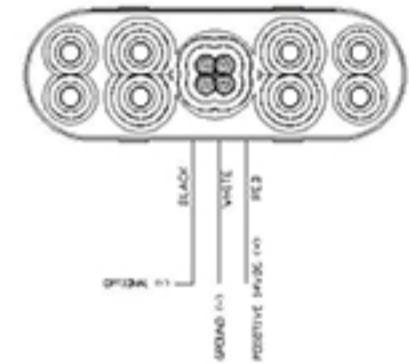
***ALTERNATING STROBE:** FOR 2 OR MORE LAMPS TO STROBE ALTERNATING, CONNECT RED WIRE TO 12 VOLTS (+) AND WHITE WIRE TO NEGATIVE (-). CONNECT THE BLACK WIRE OF THE LAMP YOU WANT TO STROBE ALTERNATING TO NEGATIVE (-) OR TO THE WHITE WIRE. ONLY THAT LAMP WILL ALTERNATE FROM OTHERS. THIS CAN BE DONE TO MORE THAN ONE LAMP.

2. ALSO USE THE DIAGRAM I EMAILED YOU (ATTACHED NOW ALSO) ON PAGE 34 FOR THE SL4000 AND SL8200. SO THERE SHOULD BE ONLY 2 SETS OF WIRING DIAGRAMS ON PAGE 34 THE STROBE AND THE ONE ATTACHED NOW.

MODEL SL4900
4" ROUND STROBE LAMP



MODEL SL5900
OVAL STROBE LAMP



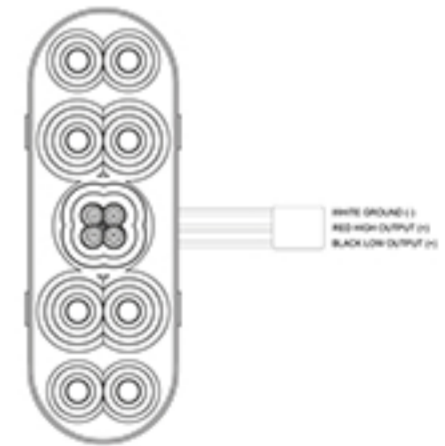
SL4000 & SL8200 S/T/T & F/P/T LAMP

RED WIRE: HIGH OUTPUT 12 VOLTS POSITIVE (+)
 WHITE WIRE: NEGATIVE (-)
 BLACK WIRE: LOW OUTPUT 12 VOLTS POSITIVE (+)

MODEL SL4000
4" ROUND LAMP



MODEL SL8200
OVAL LAMP



ELECTRICAL SPECIFICATIONS

MODEL	AMPS
SL4000	0.180/0.030 (STOP/TAIL)
SL8200	0.250/0.040 (STOP/TAIL)
SL5000	0.180/0.030 (STOP/TAIL)
SL2000	0.050
SL2500	0.050
SL3100	0.050
SL4200	0.050
SL6200	0.050
SL4800	0.500
SL8800	0.500
SL4900	0.250 (4 PULSES PER SECOND)
SL8900	0.250 (4 PULSES PER SECOND)

CRYSTAL CLEAR LED LIGHTING SYSTEMS

WARRANTY

ASL American Superlite LED products are warranted to be free from defects in workmanship or material for lifetime. All defective products will be exchanged at any authorized ASL American Superlite location or directly through ASL American Superlite. Liability for neglect, misuse, including improper voltage applied to the lamp, special, incidental, indirect, direct and consequential damages are specifically disclaimed. All blue, green and white series utility lamps and WHITE DRAGON back up lamps have a one year Limited Lifetime Warranty and a proof of purchase is necessary for warranty replacement. Please see additional warranty details below.

IMPORTANT WARRANTY INFORMATION

Dear customers,

Please honor our company policy and make sure you check the warranty lamps that customers are returning. We have been getting warranty lights that are in perfect working condition and you waste money shipping to us and we waste time and money testing the lamps. Our warranty policy will be strictly enforced as of this date. Therefore there will be a \$5 warranty inspection fee if any lamp is returned in working condition. Customer must also pay for return shipping for all warranty replacement lamps.

FOLLOWING LAMPS WILL NOT BE COVERED UNDER WARRANTY

- **CUT WIRES OR CONNECTORS**
- **WIRE BROKEN FROM THE BASE OF THE HOUSING DUE TO CORROSION**
- **BROKEN, CRACKED OR MISSING LENS OR HOUSING**
- **DISCOLORATION OF REFLECTOR ON DESIGNER SERIES LAMPS**