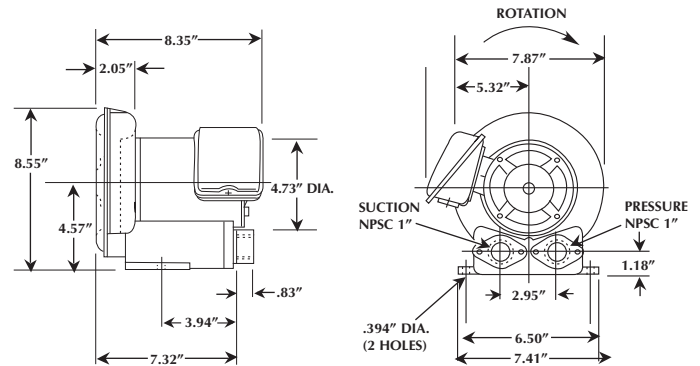




The VFC10 is a single-stage ring compressor with a maximum pressure of 27.5 in. H₂O, a maximum vacuum of 26 in. H₂O, and a maximum capacity of 27 SCFM. It comes complete with a direct-drive, 1/6 horsepower, TENV motor capable of operating on a wide range of voltages, and on 50 or 60 Hz. A pilot-duty thermal protector is standard equipment on all 3-phase models, and built-in automatic reset thermal protectors on 1-phase units. All versions have NEMA class B insulation, are UL recognized, CSA certified and CE.



SPECIFICATIONS

| Model No. | Hz | Voltage | | Amps (Max. Rated) | Amps (Locked Rotor) | Max. Pressure | Max. Vacuum | Max. Airflow | Min. Airflow | Max. Temp Rise (ΔT) | Weight |
|-------------------------------|----|-----------------|--------------|---------------------|---------------------|----------------------|----------------------|--------------|--------------|---------------------|---------|
| | | Low Voltage | High Voltage | | | in. H ₂ O | in. H ₂ O | SCFM | SCFM | °F(°C) | |
| 3 Phase 1 Phase VFC100P-5T | 60 | 115/230 | | 1.5/0.75 | 8.4/4.2 | 27.5 | 26 | 27 | 3.5 | 72(40) | 19(8.6) |
| | 50 | 110/220 | | 1.3/0.65 | 8.6/4.3 | 22 | 21 | 23 | 1.75 | 65(35) | |
| 3 Phase 1 Phase VFC100A-7W | 60 | 200-240/400-480 | | 0.53-0.52/0.27-0.26 | 2.0-2.4/1.0-1.2 | 26.5 | 25 | 27 | 3.5 | 72(40) | |
| | 50 | 190-230/380-460 | | 0.4-0.46/0.2-0.23 | 2.2-2.6/1.1-1.3 | 20 | 19 | 22 | 1.75 | 65(35) | |

ACCESSORIES *For additional accessories: See pages 28-37.*

| Description | Vacuum Relief Valve | Pressure Relief Valve | Inlet Filter | Inlet Filter Cover | Inlet Filter/Receiver | Exhaust Silencer/Muffler |
|-------------|---------------------|-----------------------|--------------|--------------------|-----------------------|--------------------------|
| Model No. | Not Req'd | Not Req'd | F-123 | C-123 | R15P1.5 | VFY-021A |

NOTE: Maximum allowable time at deadhead is 600 seconds

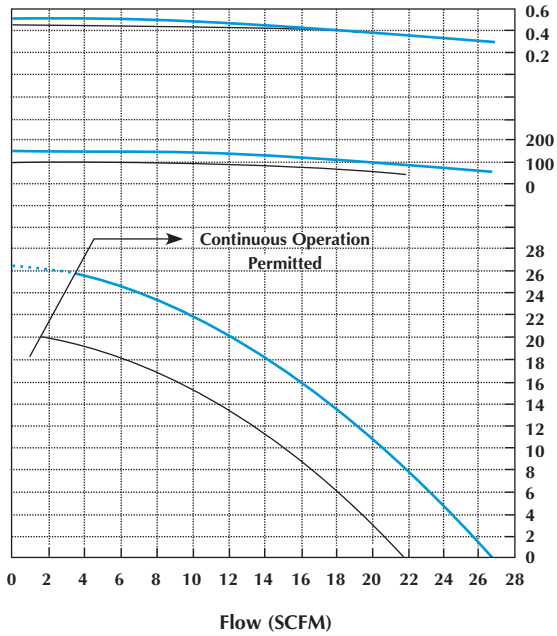


VFC10 PERFORMANCE DATA

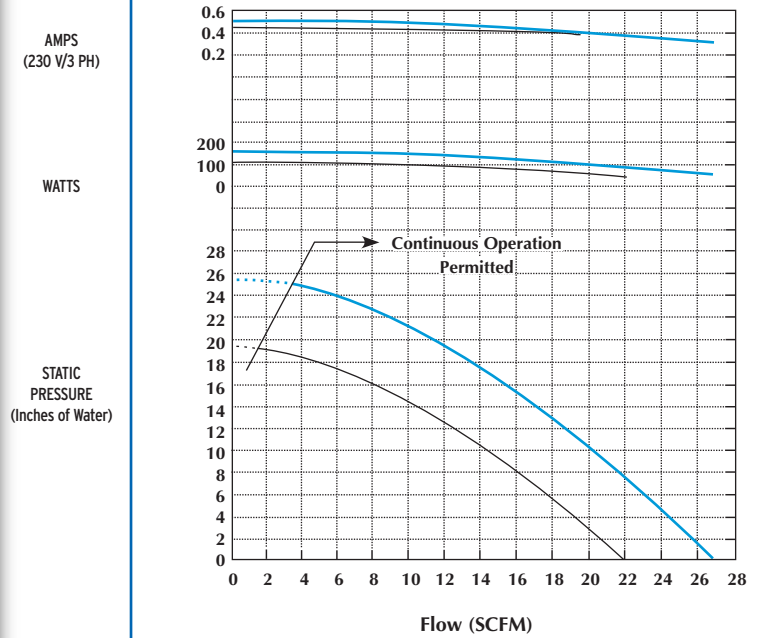
KEY

— 60 Hz
— 50 Hz

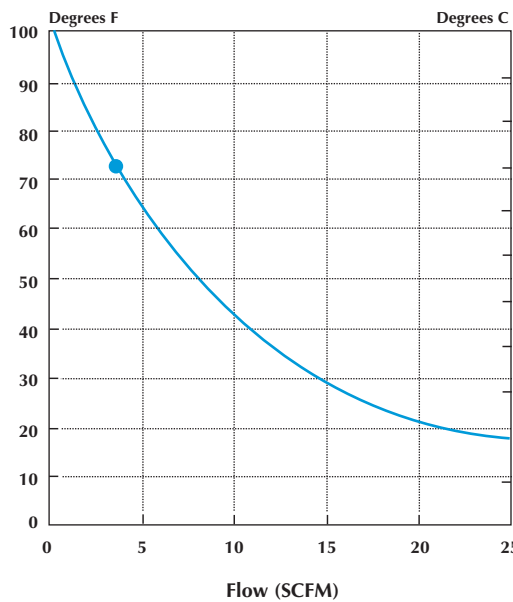
PRESSURE



VACUUM

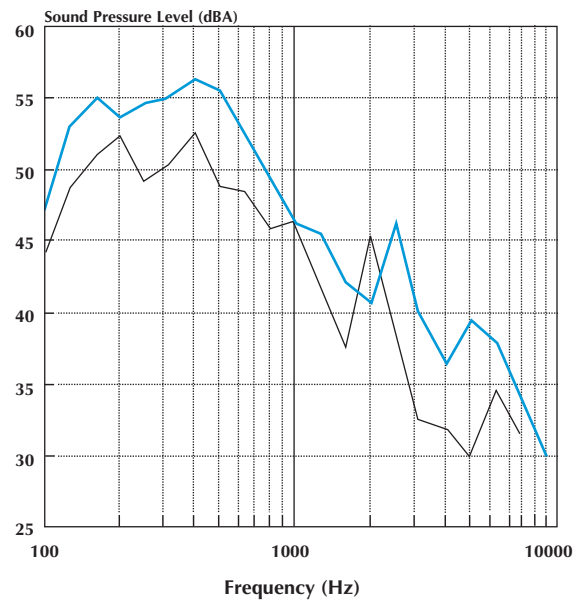


TEMPERATURE RISE



Max. Air Temperature is Value Marked • plus 40 Degrees C Ambient Temperature

SOUND LEVEL



*Measured at distance of 1.0 meters