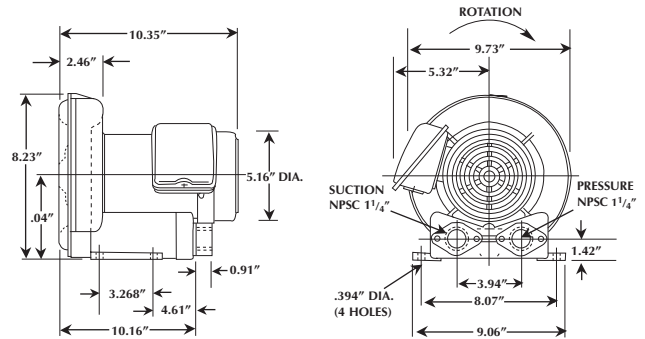




The VFC30 is a single-stage ring compressor with a maximum pressure of 50 in. H<sub>2</sub>O, a maximum vacuum of 45 in. H<sub>2</sub>O, and a maximum capacity of 56 SCFM. It comes complete with a direct-drive, 1/2 horsepower, TEFC motor capable of operating on a wide range of voltages, and on 50 or 60 Hz. A pilot-duty thermal protector is standard equipment on all 3-phase models, and built-in automatic reset thermal protectors on 1-phase units. All versions have NEMA class B insulation, are UL recognized, CSA certified, and CE. 575 Volt units are CSA certified only.



## SPECIFICATIONS

Model No.		Hz	Voltage	Amps (Max. Rated)	Amps (Locked Rotor)	Max. Pressure	Max. Vacuum	Max. Airflow	Min. Airflow	Max. Temp Rise (ΔT)	Weight
			Low Voltage/High Voltage			in. H <sub>2</sub> O	in. H <sub>2</sub> O	SCFM	SCFM	°F(°C)	lbs.(kg)
1 Phase	VFC300P-5T	60	115/230	5.0/2.5	17/8.5	49	45	56	17	54(30)	27(12.3)
		50	110/220	3.8/1.9	15/7.5	38	34	49	10	47(27)	
3 Phase	VFC300A-7W	60	200-240/400-480	1.5-1.7/0.75-0.85	7.2-8/3.6-4	50	45	55	17	54(30)	25.5(11.5)
		50	190-230/380-460	1.4-1.7/0.7-0.85	8-8.8/4-4.4	40	36	47	10	47(27)	
	VFC300A-5W	60	575	0.75	3.8	50	45	55	17	54(30)	25.5(11.5)

## ACCESSORIES

Description	Vacuum Relief Valve	Pressure Relief Valve	Inlet Filter	Inlet Filter Cover	Inlet Filter/Receiver	Exhaust Silencer/Muffler
Model No.	VV3	PV3	F-123	C-123	R15P1.5	VFY-023A



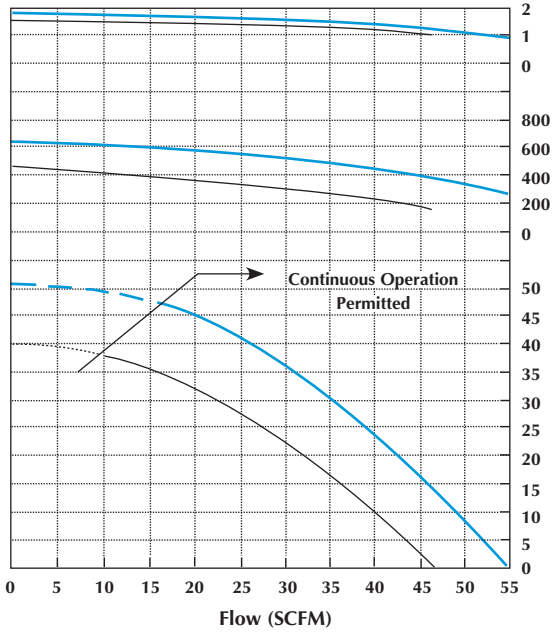
**NOTE:** Maximum allowable time at deadhead is 120 seconds.

# VFC30 PERFORMANCE DATA

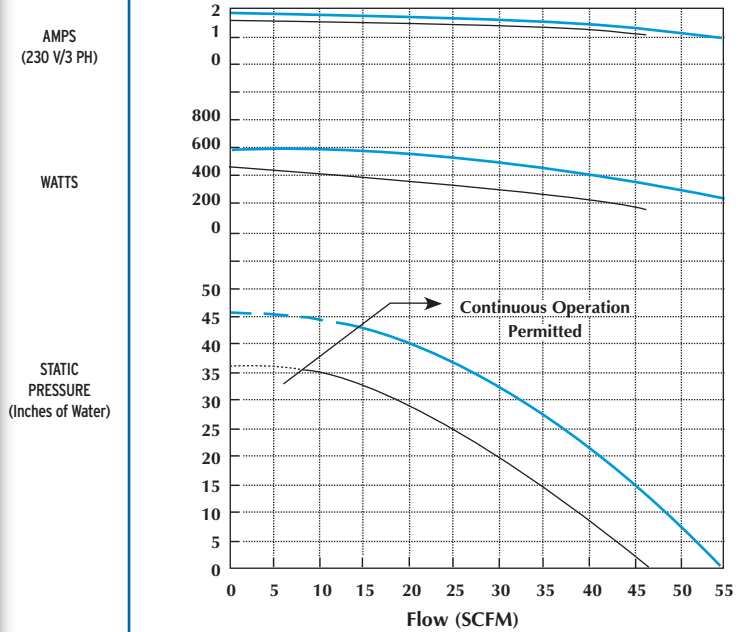
**KEY**

— 60 Hz  
— 50 Hz

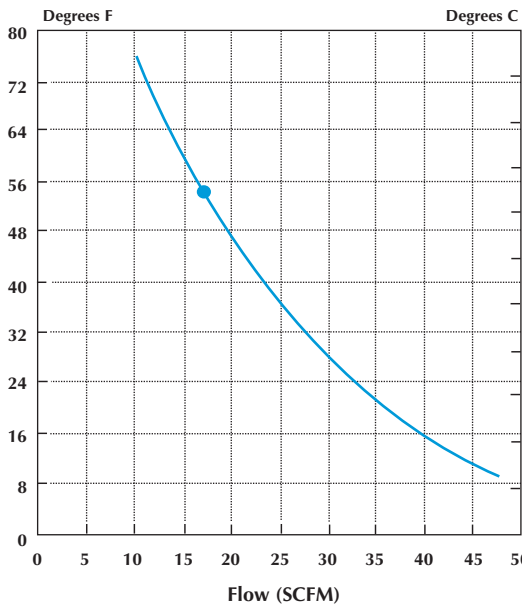
## PRESSURE



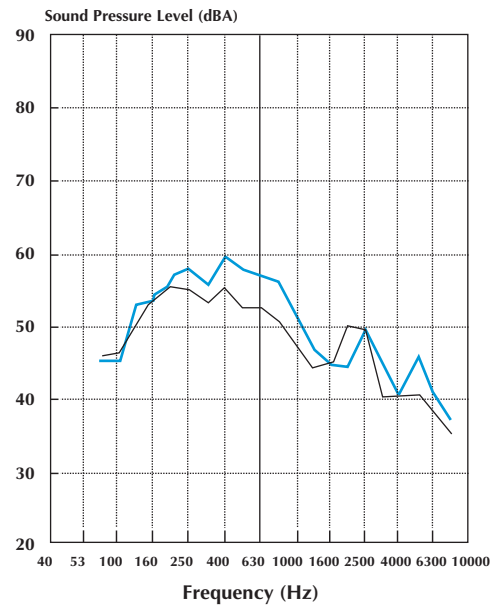
## VACUUM



## TEMPERATURE RISE



## SOUND LEVEL



Max. Air Temperature is Value Marked • plus 40 Degrees C Ambient Temperature

\*Measured at distance of 1.0 meter