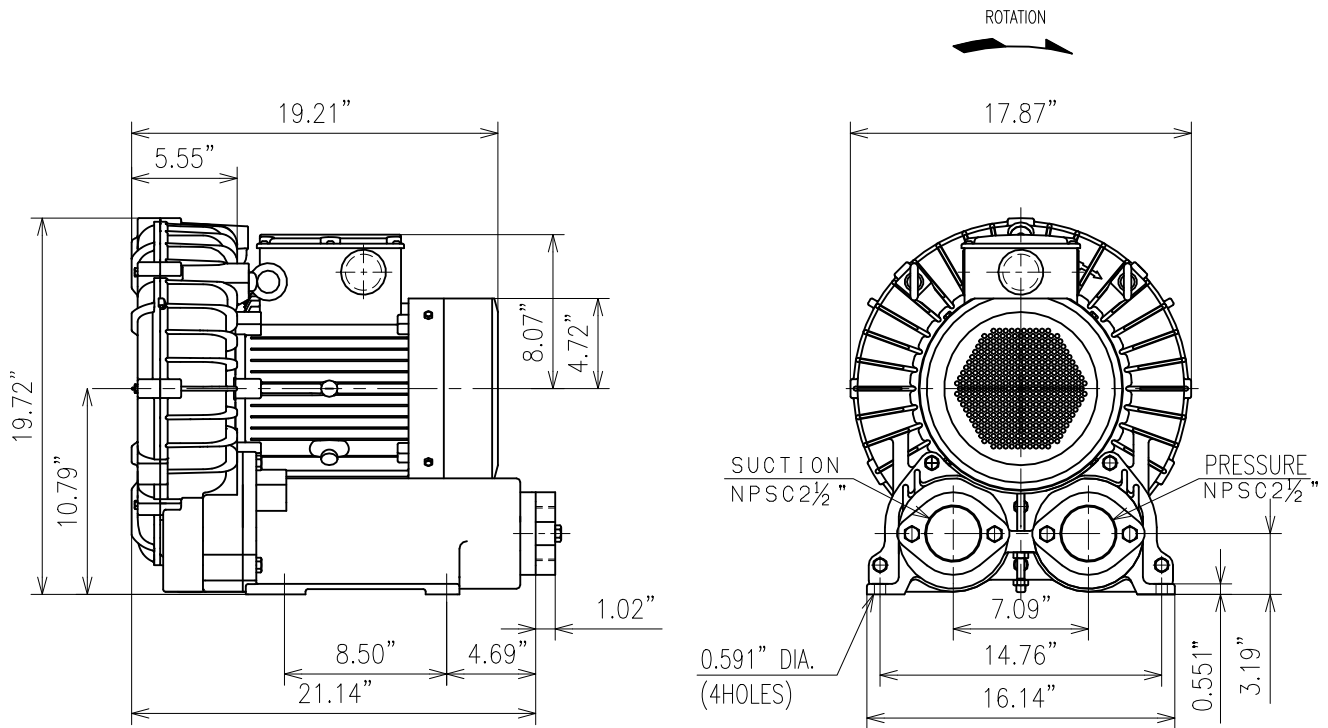
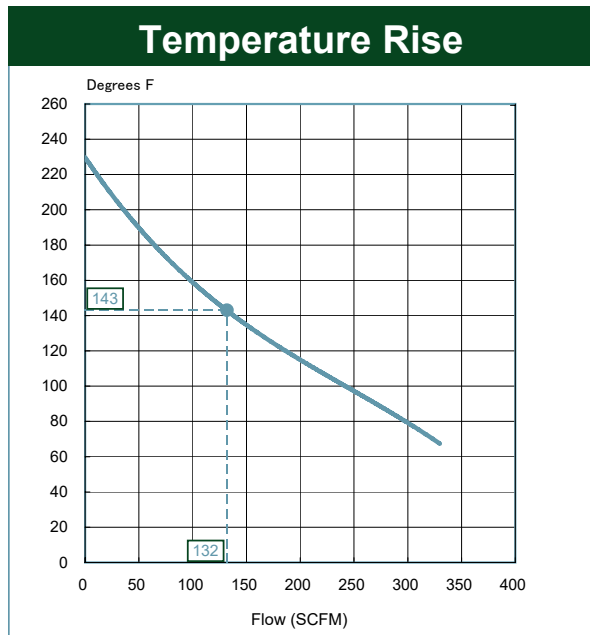
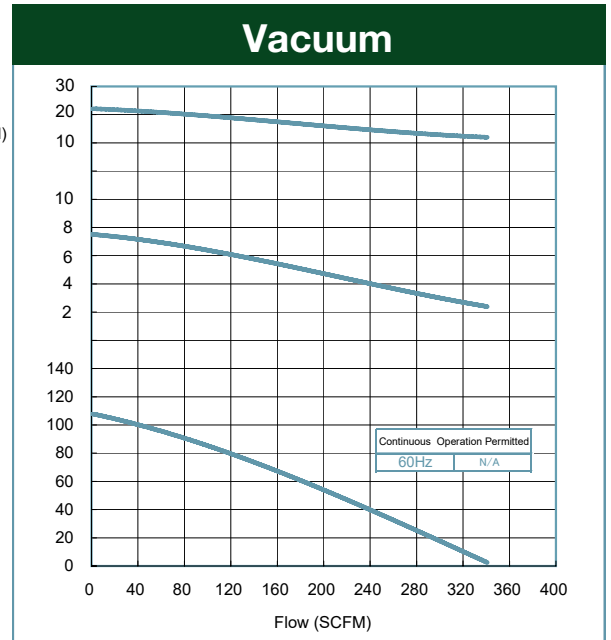
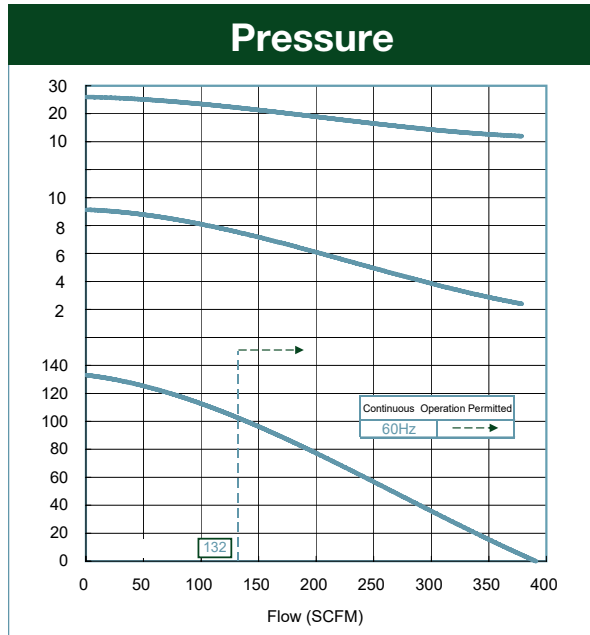


NEMA Premium
IE3



Specifications

Model	VFZ801A-5W
HP	10.7
Hz	60
Phase	3
Voltage	575
Max. Amps	10.1
Locked Rotor Amps	108
Max. Pressure (in. H2O)	135
Max. Vacuum (in. H2O)	112
Max. Airflow Pressure (SCFM)	388
Max. Airflow Vacuum (SCFM)	34
Min. Airflow Pressure (SCFM)	132
Min. Airflow Vacuum (SCFM)	0
Max. Air Temperature Rise (°F)	143
Weight (lbs.)	211



Max. Air Temperature is Value Marked •
Plus 40 Degrees C Ambient Temperature

Accessories

Inlet Filter	F-89
Inlet Filter/ Silencer	FS-89
In-Line Vacuum Filter	IVF-89
Pressure Relief Valve	PV8
Vacuum Relief Valve	Not Required
Silencer 2"	VFY028A