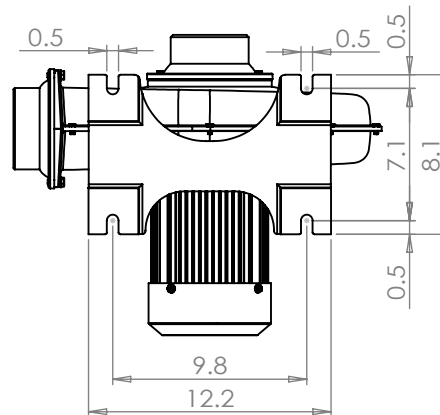
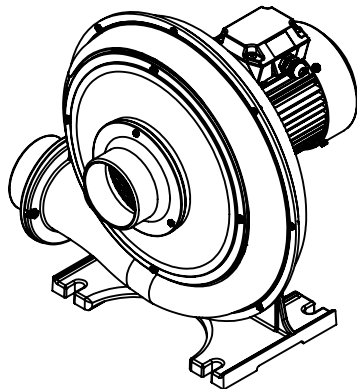
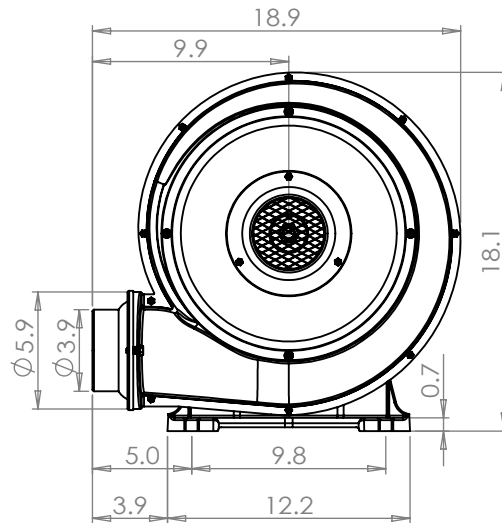
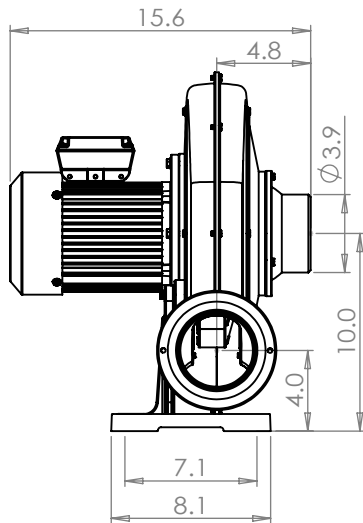


Direct Drive Turbo Blower

Unit: Inch



Specifications

Model	FDC-010P-5T
Phase	1
Voltage	120/ 240
Frequency (Hz)	60
Rated Output (HP)	1.0
Rated Current (Amps)	9.0 / 4.5
Max. Pressure (in. H ₂ O)	8.8
Max. Airflow (CFM)	478.2
Noise Level dB (A)	86.7
Weight (lbs.)	48.9

Pressure

