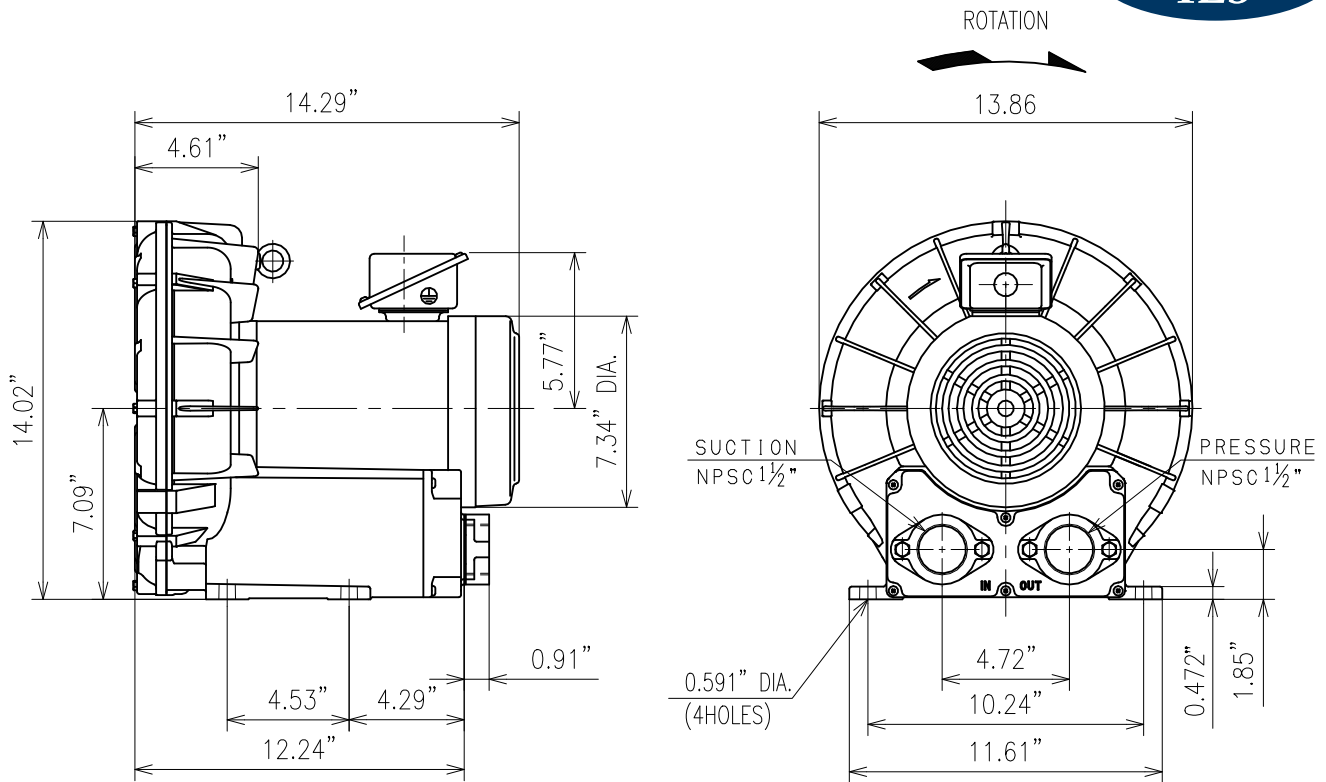


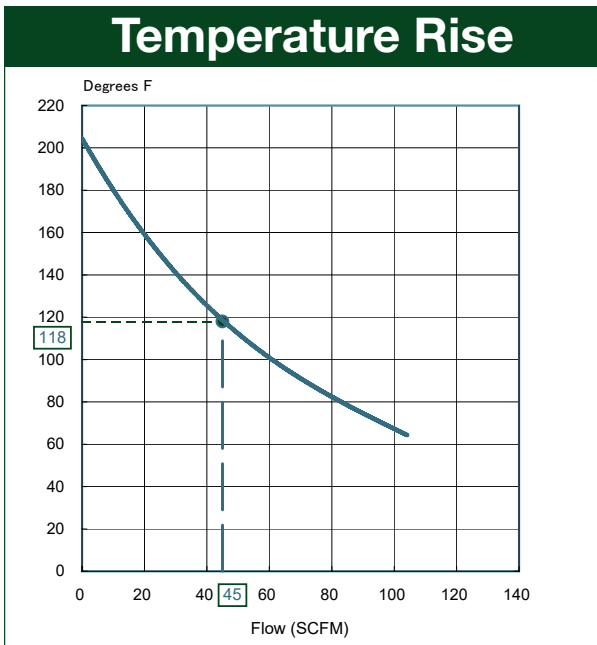
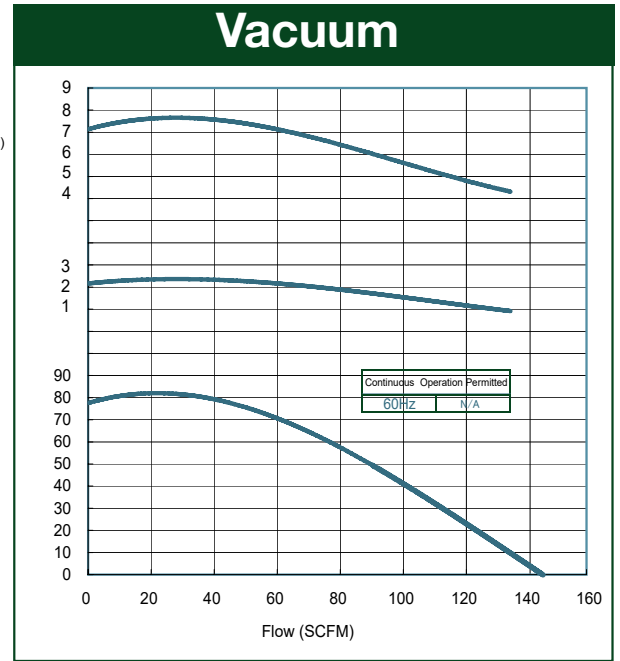
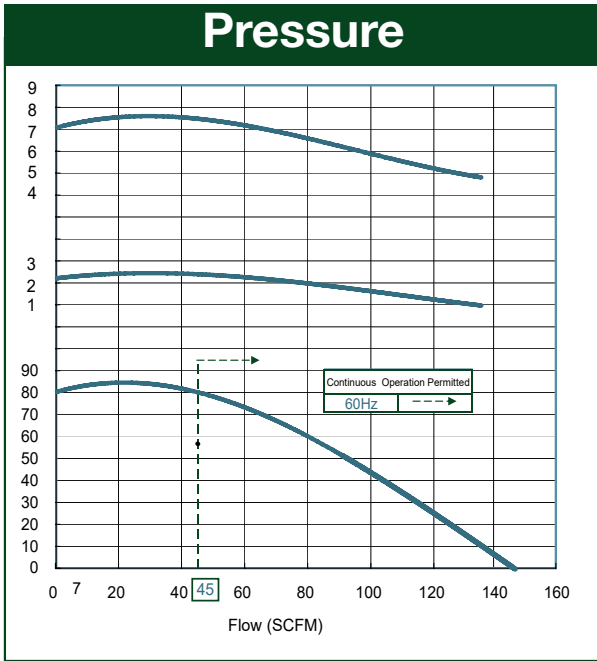
NEMA Premium
IE3



UL **us** **CSA** **CE** **RoHS** Compliant

Specifications

Model	VFZ501A-5W
HP	2.7HP
Hz	60
Phase	3
Voltage	575
Max. Amps	3.0
Locked Rotor Amps	30.0
Max. Pressure (in. H2O)	85
Max. Vacuum (in. H2O)	83
Max. Airflow Pressure (SCFM)	145
Max. Airflow Vacuum (SCFM)	145
Min. Airflow Pressure (SCFM)	45
Min. Airflow Vacuum (SCFM)	0
Max. Air Temperature Rise (°F)	118
Weight (lbs.)	77



Max. Air Temperature is Value Marked •
Plus 40 Degrees C Ambient Temperature

Accessories

Inlet Filter	F-45
Inlet Filter/ Silencer	FS-45
In-Line Vacuum Filter	IVF-45
Pressure Relief Valve	PV5
Vacuum Relief Valve	Not Required
Silencer 1-1/2"	VFY024A