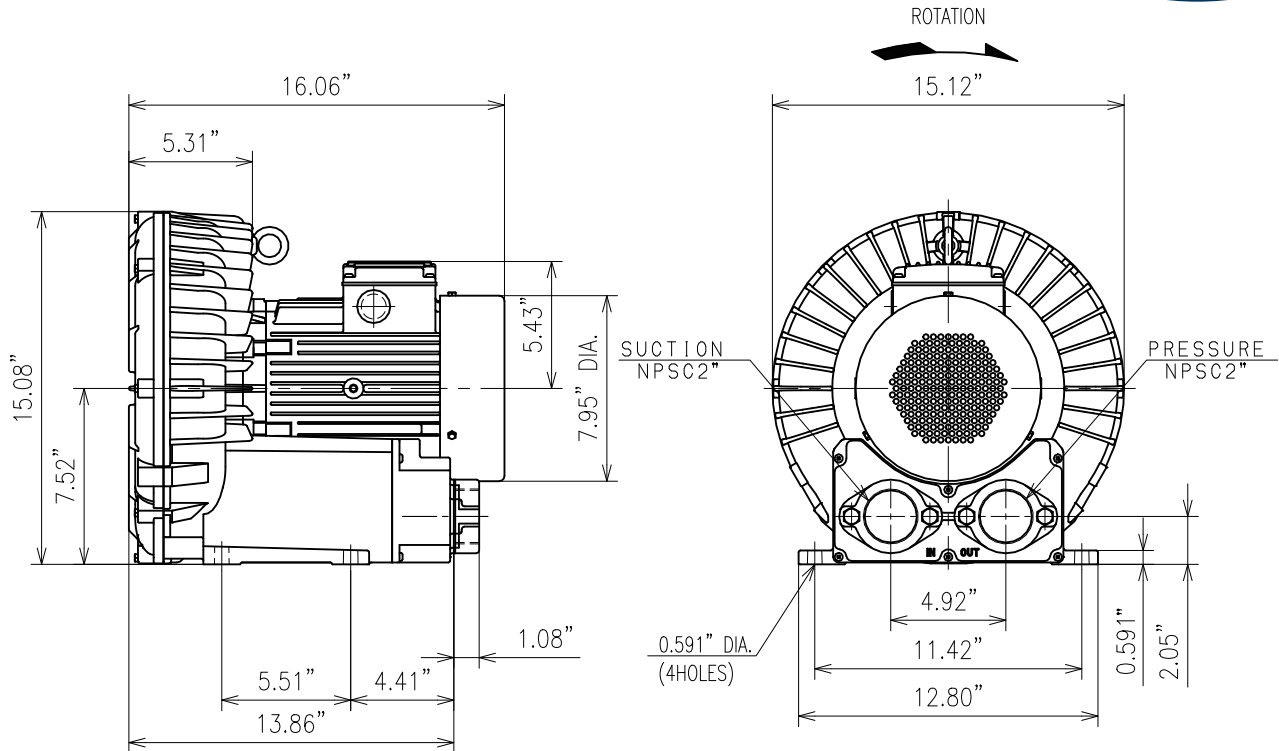
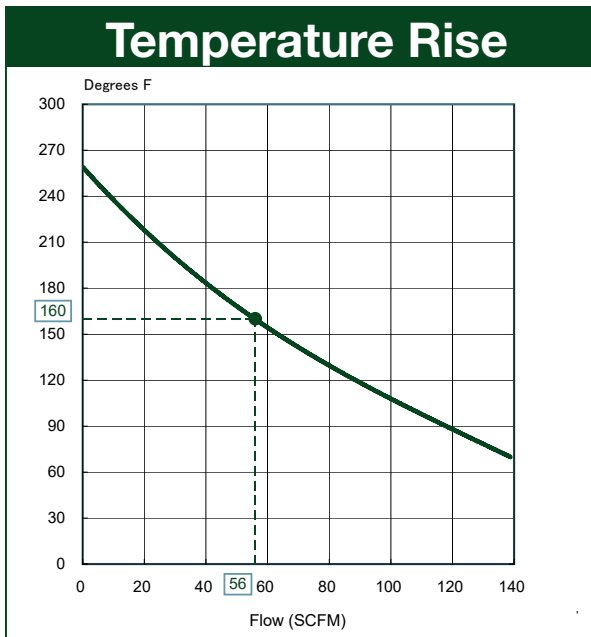
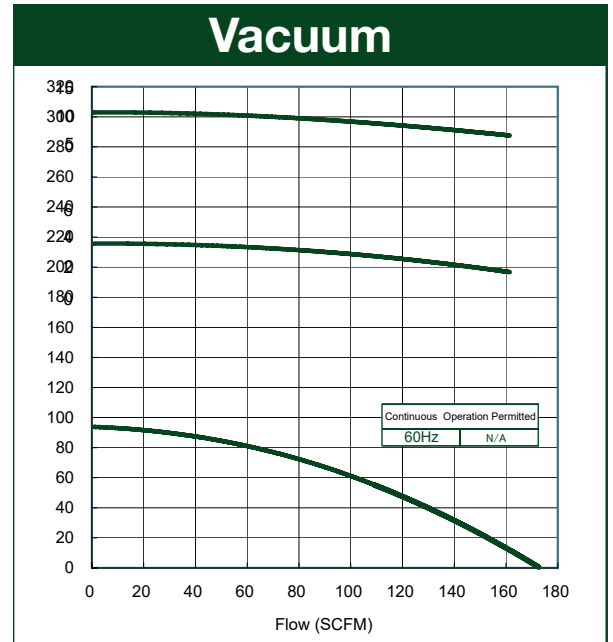
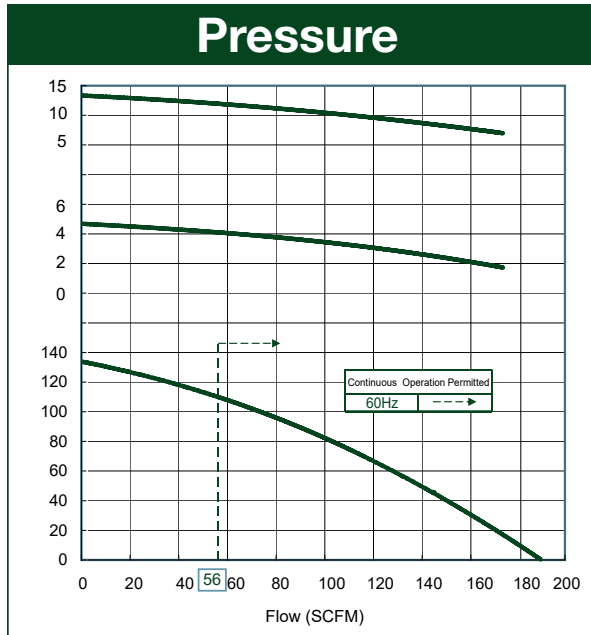


NEMA Premium
IE3



Specifications

Model	VFZ601A-5W
HP	5.0HP
Hz	60
Phase	3
Voltage	575
Max. Amps	4.9
Locked Rotor Amps	53
Max. Pressure (in. H2O)	134
Max. Vacuum (in. H2O)	95
Max. Airflow Pressure (SCFM)	190
Max. Airflow Vacuum (SCFM)	175
Min. Airflow Pressure (SCFM)	56
Min. Airflow Vacuum (SCFM)	0
Max. Air Temperature Rise (°F)	160
Weight (lbs.)	108



Accessories

Inlet Filter	F-67
Inlet Filter/ Silencer	FS-67
In-Line Vacuum Filter	IVF-67
Pressure Relief Valve	PV6
Vacuum Relief Valve	Nor Required
Silencer 2"	VFY026A

Max Air Temperature is Value Marked •
Plus 40 Degrees C Ambient Temperature