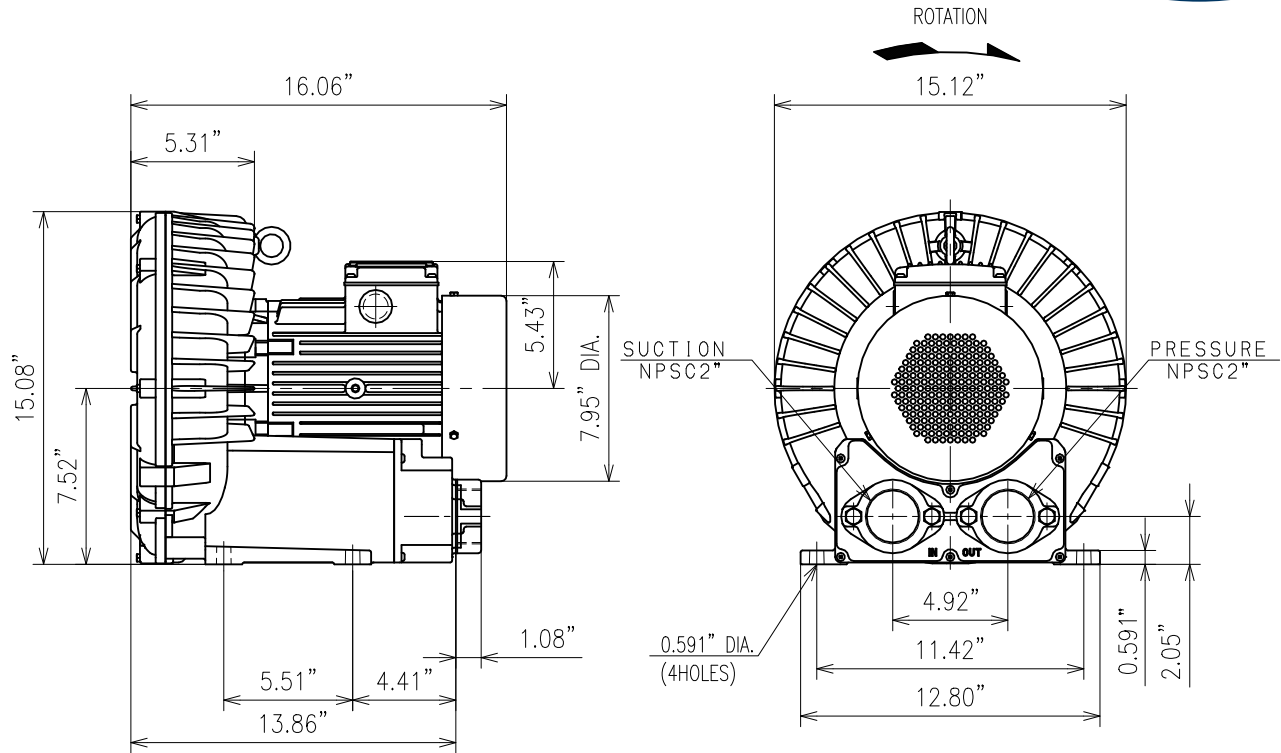


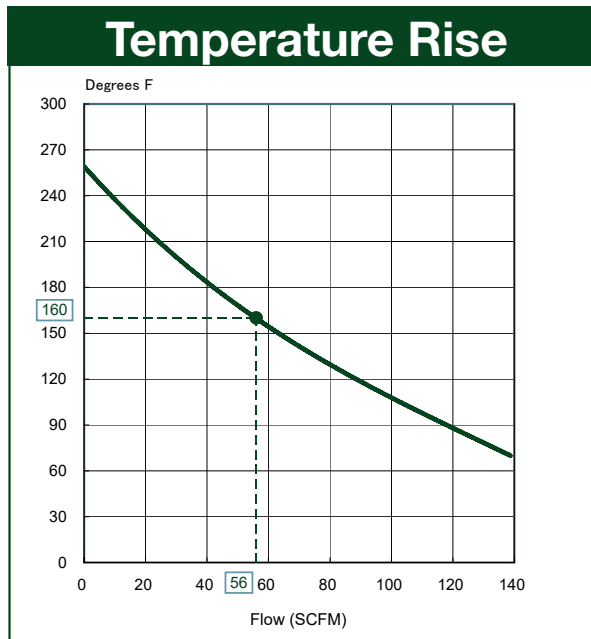
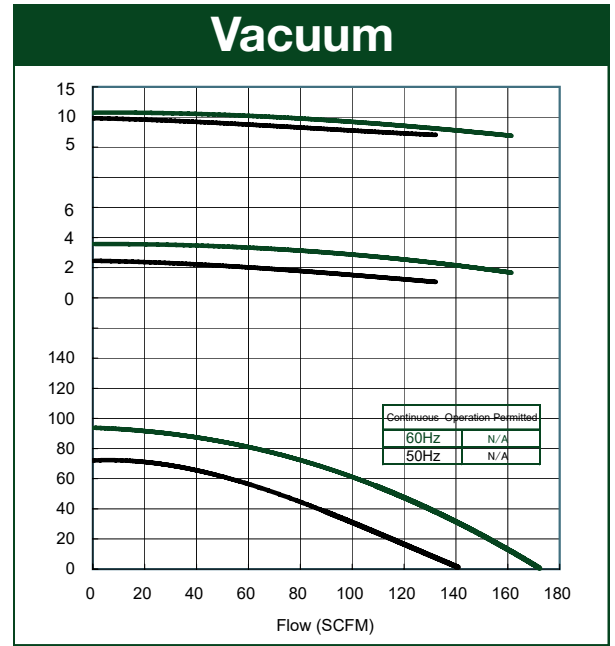
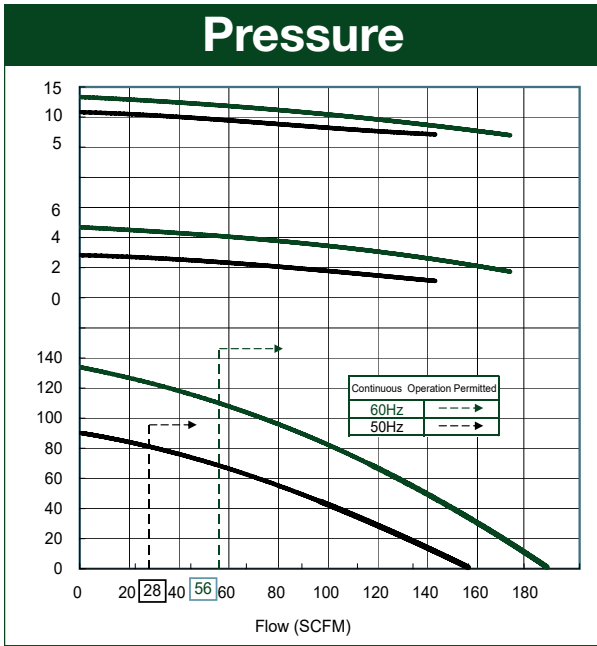
NEMA Premium
IE3



Specifications



Model	VFZ601A-7W	
HP	5.0HP	5.0HP
Hz	60	50
Phase	3	3
Voltage	208-230/460	200/400
Max. Amps	13.2-12.1/6.1	10.6/5.3
Locked Rotor Amps	119-132/66	120/60
Max. Pressure (in. H ₂ O)	134	90
Max. Vacuum (in. H ₂ O)	95	72
Max. Airflow Pressure (SCFM)	190	160
Max. Airflow Vacuum (SCFM)	175	140
Min. Airflow Pressure (SCFM)	56	28
Min. Airflow Vacuum (SCFM)	0	0
Max. Air Temperature Rise (°F)	160	149
Weight (lbs.)	108	108



Max. Air Temperature is Value Marked •
Plus 40 Degrees C Ambient Temperature

Accessories

Inlet Filter	F-67
Inlet Filter/ Silencer	FS-67
In-Line Vacuum Filter	IVF-67
Pressure Relief Valve	PV6
Vacuum Relief Valve	Not Required
Silencer 2"	VFY026A