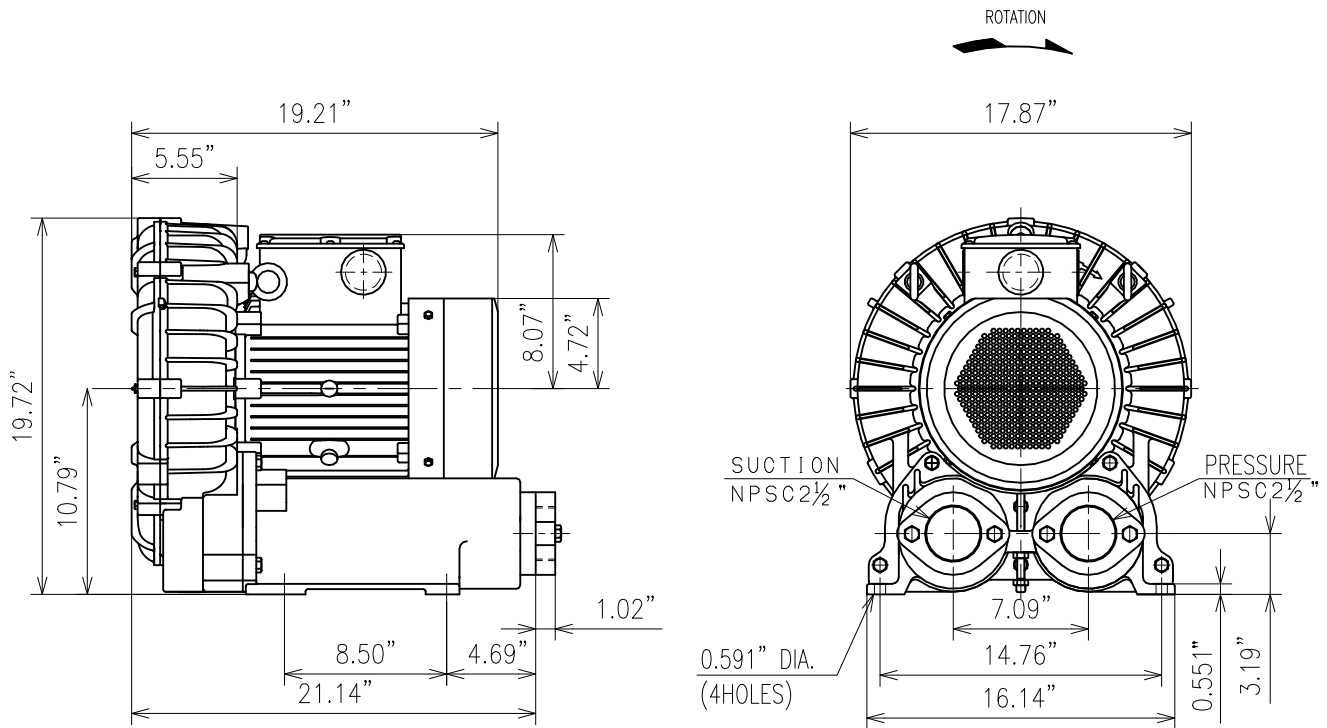
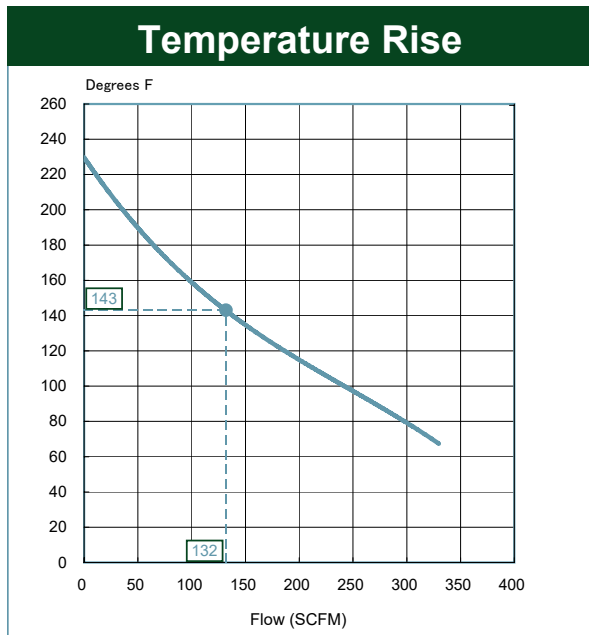
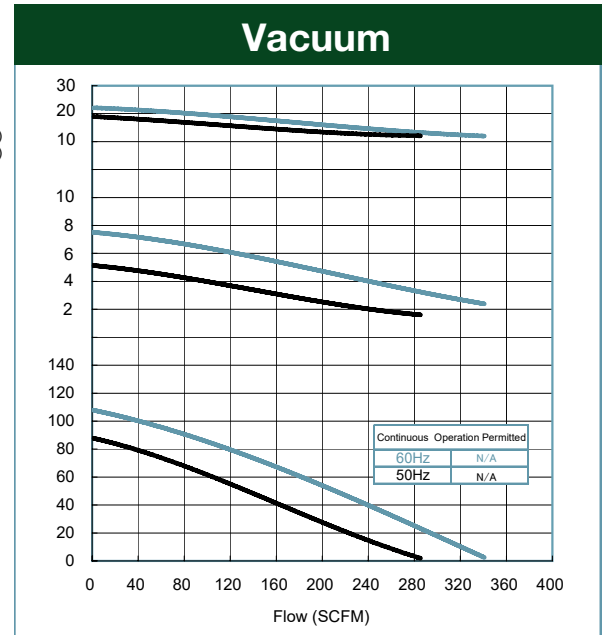
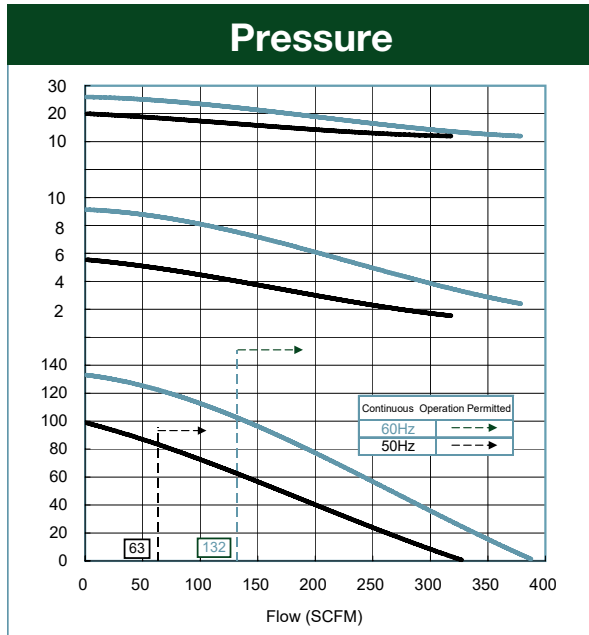


NEMA Premium
IE3



Specifications

Model	VFZ801A-7W	
HP	10.7	10.7
Hz	60	50
Phase	3	3
Voltage	208-230/460	200/400
Max. Amps	27.8-25/12.6	20.5/10.3
Locked Rotor Amps	252-270/135	268/134
Max. Pressure (in. H2O)	135	100
Max. Vacuum (in. H2O)	112	88
Max. Airflow Pressure (SCFM)	388	330
Max. Airflow Vacuum (SCFM)	341	285
Min. Airflow Pressure (SCFM)	132	63
Min. Airflow Vacuum (SCFM)	0	0
Max. Air Temperature Rise (°F)	143	136
Weight (lbs.)	211	211



Max. Air Temperature is Value Marked •
Plus 40 Degrees C Ambient Temperature

Accessories

Inlet Filter	F-89
Inlet Filter/ Silencer	FS-89
In-Line Vacuum Filter	IVF-89
Pressure Relief Valve	PV8
Vacuum Relief Valve	Not Required
Silencer 2"	VFY028A