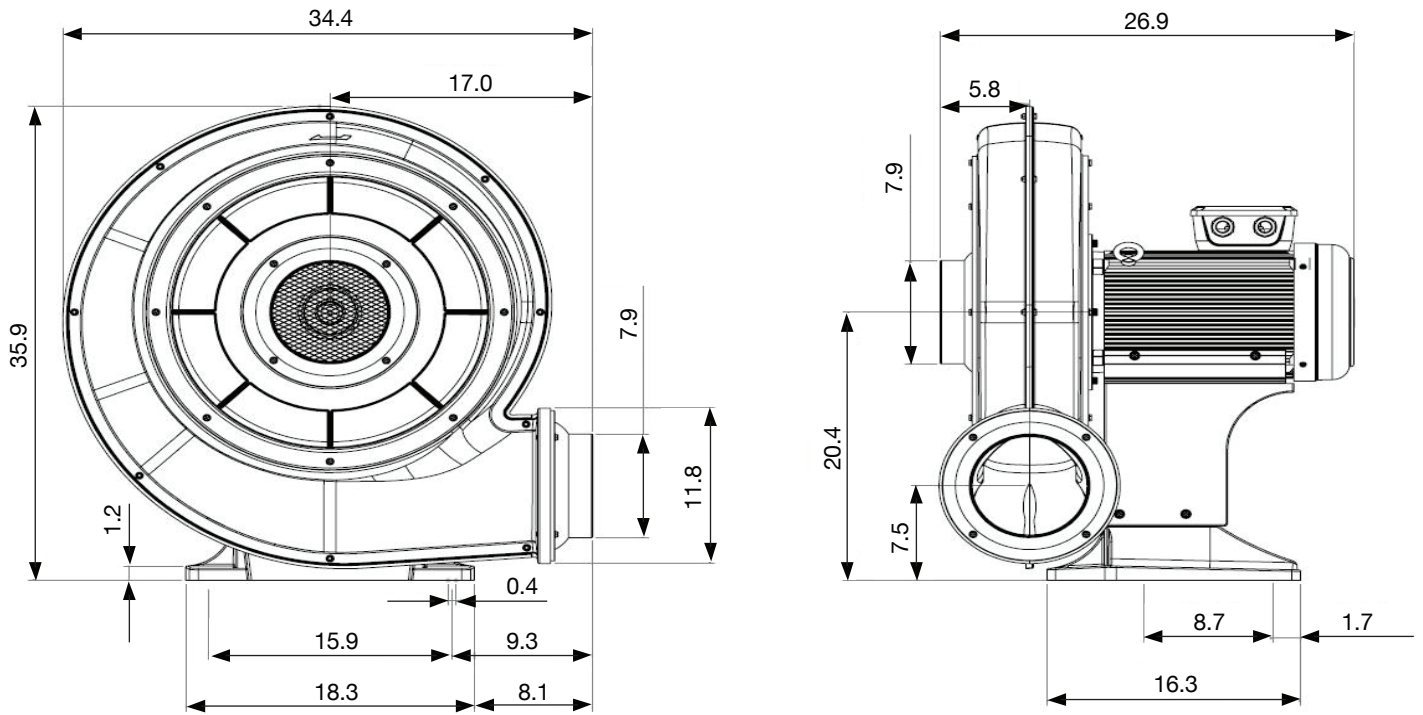


Turbo Blower Tech Data

Unit: Inch



Specifications

Model	FDC-150A-7W
Phase	3
Voltage	208~240V
	415~480V
Hz	50
	60
Rated Output HP	15
Rated Current Amps	35/17.5
	42/21
Max Pressure in H ₂ O	22
	32
Max Air Flow CFM	2470
	2930
In/Out (Inch)	8
Noise Level dB(A)	99
	100
Weight (KG)	145

Pressure

