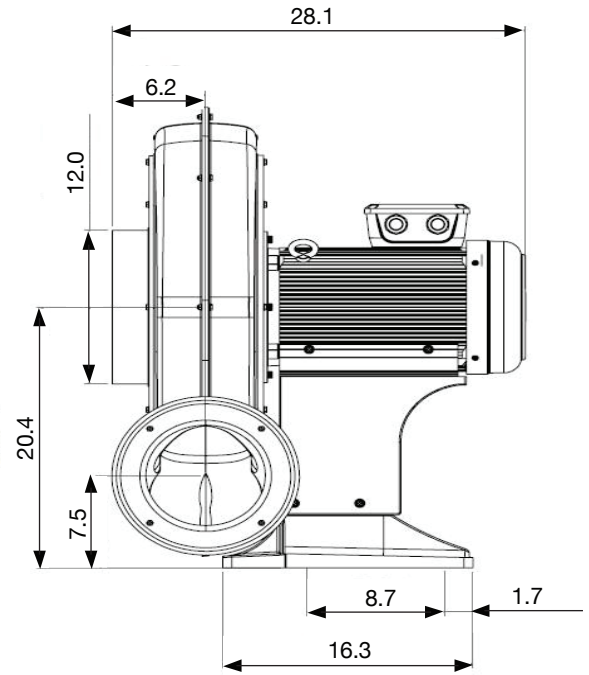
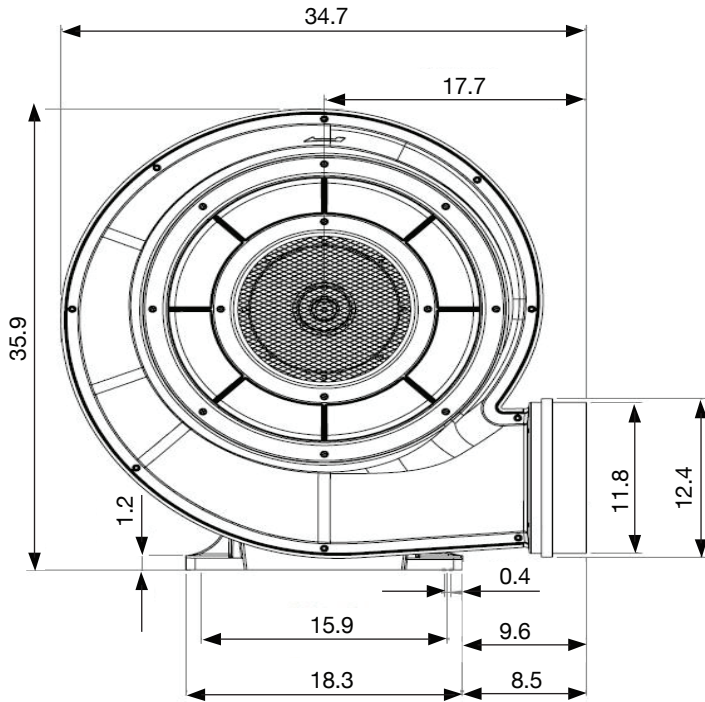


Turbo Blower Tech Data

Unit: Inch



Specifications

Model	FDC-200A-7W
Phase	3
Voltage	208~240V
	415~480V
Hz	60
Rated Output HP	20
Rated Current Amps	55/32.5
Max Pressure in H2O	30
Max Air Flow CFM	5850
In/Out (Inch)	12
Noise Level dB(A)	109
Weight (KG)	155

Pressure

