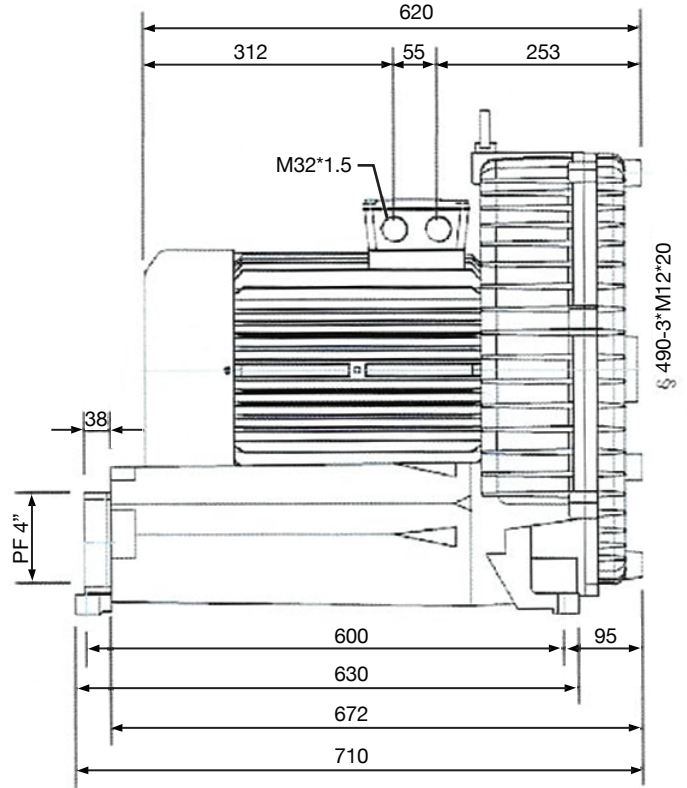
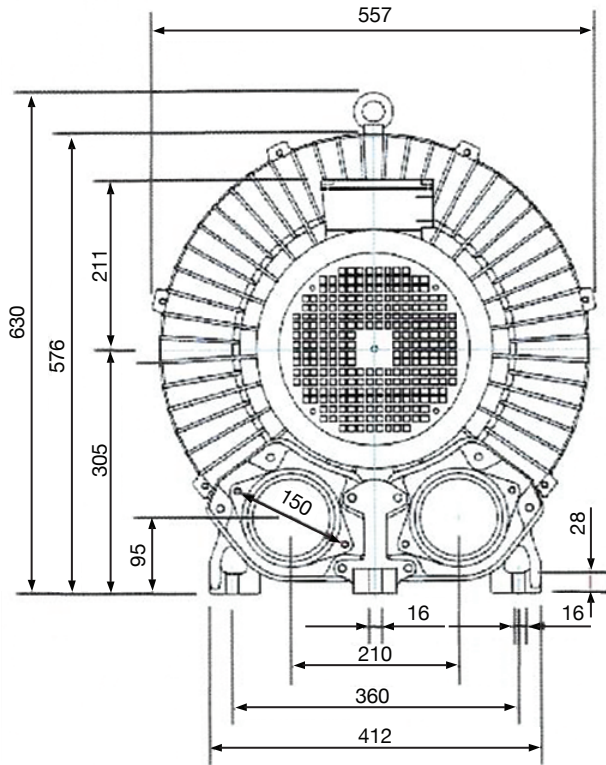


Regenerative Blower Tech Data

Unit: Inch



Specifications

Model	VFB-300A-7W
Phase	3
Voltage	220~275V
	380~480V
Hz	60
Rated Output HP	30
Rated Current Amps	76.0/44.0
Max Pressure in H ₂ O	146.52
	168.61
Max Air Flow CFM	791.06
Noise Level dB(A)	81
Weight (KG)	159

Pressure

