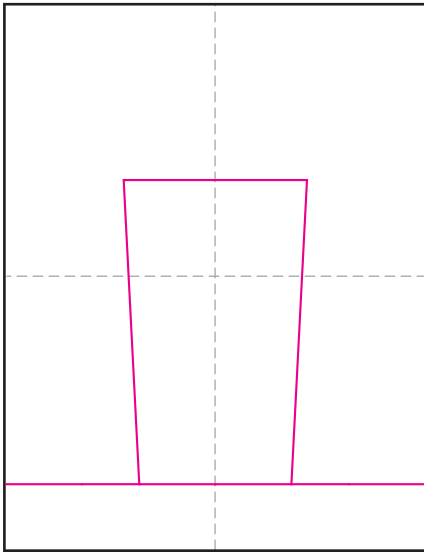
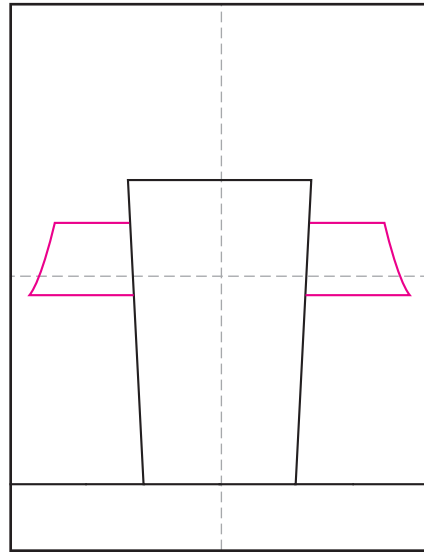


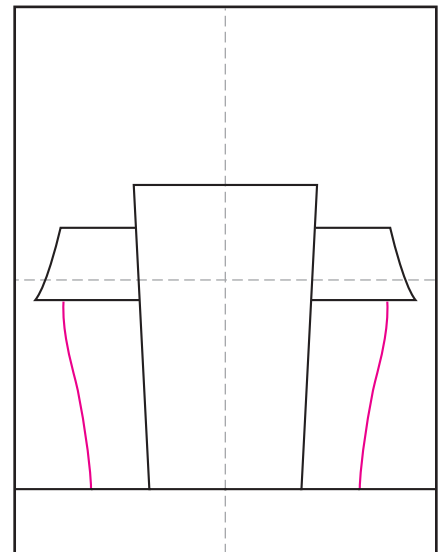
# How to Draw an Easy Haunted House



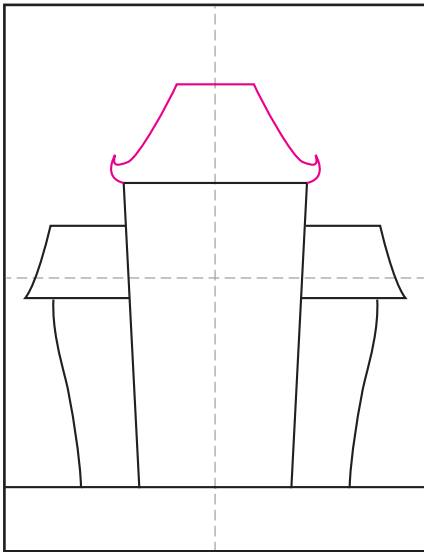
1. Draw ground and add rectangle.



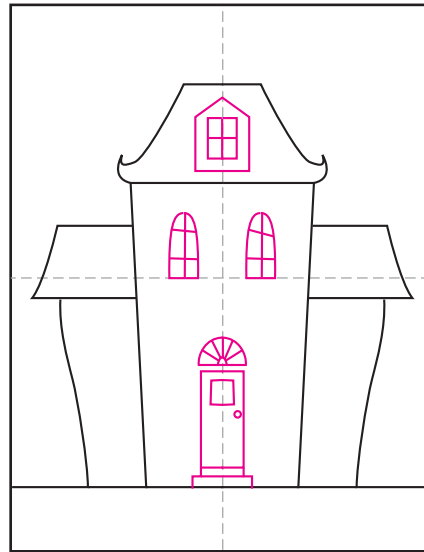
2. Add a roof on both sides.



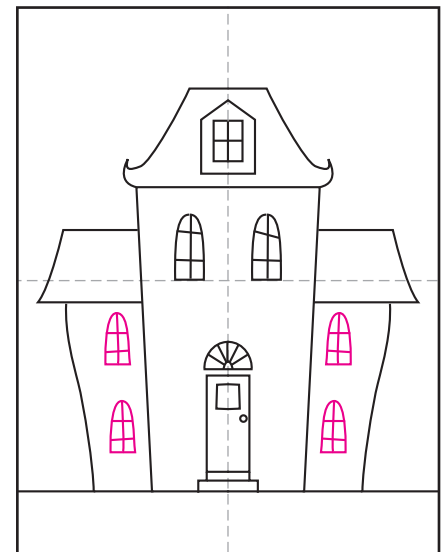
3. Add sides below each roof.



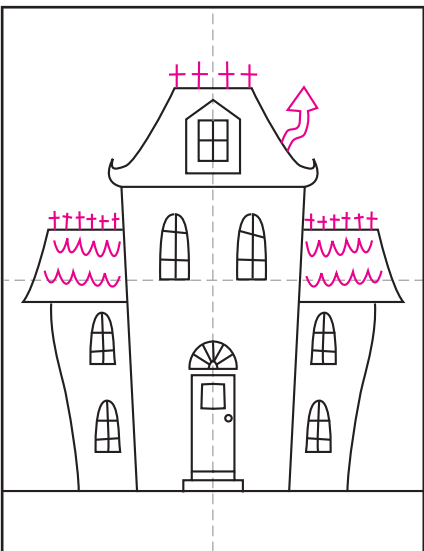
4. Add the top center roof.



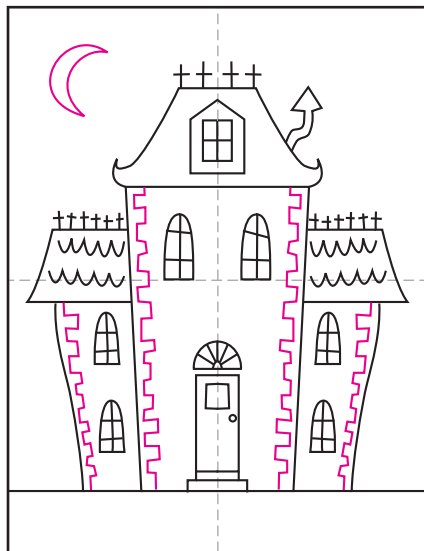
5. Draw center door and windows.



6. Draw side windows.



7. Add roof details and chimney.



8. Finish house edge lines, moon.



9. Trace with a marker and color.



# Easy Haunted House

