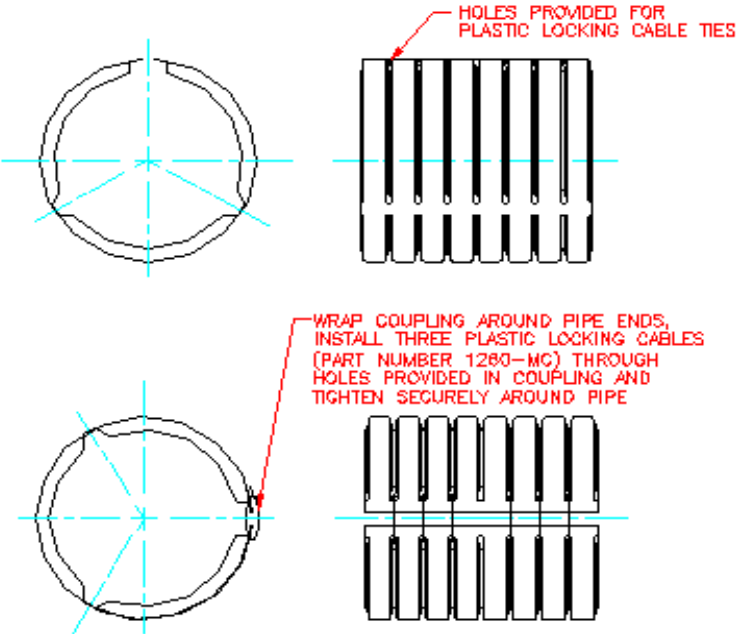


DOUBLE WIDE ST COUPLER  
10" - 36" DIAMETER

PART #	PIPE SIZE	A
1069AA	10 in (250 mm)	10.8 in (273 mm)
1269AA	12 in (300 mm)	15.8 in (400 mm)
1569AA	15 in (375 mm)	21.0 in (533 mm)
1869AA	18 in (450 mm)	23.6 in (600 mm)
2469AA	24 in (600 mm)	25.5 in (648 mm)
3069AA	30 in (750 mm)	33.0 in (838 mm)
3669AC	36 in (900 mm)	42.0 in (1067 mm)



NOTE: ALL FITTINGS DIMENSIONS ARE FOR REFERENCE ONLY

© 2021 Advanced Drainage Systems, Inc.

 Advanced Drainage Systems, Inc.	DRAWING #:	2000	
	DRAWN BY:	JCB	09.05.06
	APPROVED BY:		
	REVISIONS:	TJR	2/24/2015

**"A" PROFILE ST SPLIT COUPLER**  
6" - 60" DIAMETER

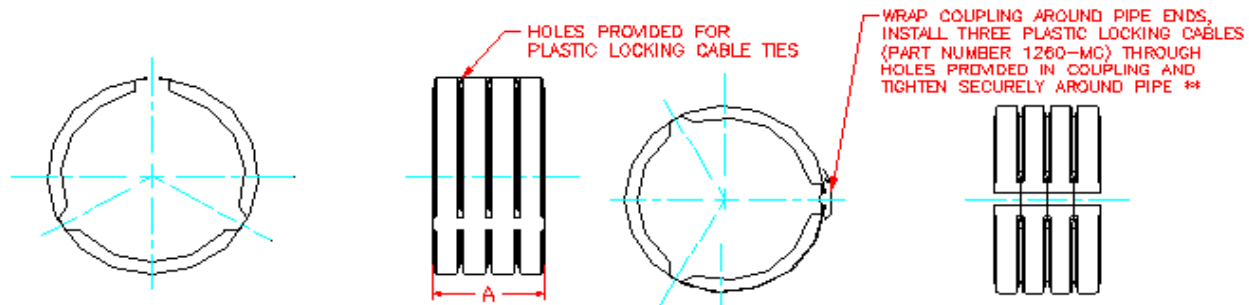
PART #	PIPE SIZE	A
0665AA	6 in (150 mm)	4.7 in (119 mm)
1011AA	10 in (250 mm)	5.0 in (128 mm)
1211AA*	12 in (300 mm)	7.7 in (195 mm)
1265AA	12 in (300 mm)	7.7 in
1266AA		(196 mm)
1565AA	15 in (375 mm)	10.4 in
1566AA		(263 mm)
1865AA	18 in (450 mm)	10.7 in
1866AA		(272 mm)
2465AA	24 in (600 mm)	12.6 in
2466AA		(320 mm)
3065AA	30 in (750 mm)	16.5 in
3066AA		(419 mm)
3661AA	36 in (900 mm)	21.0 in
3662AA		(533 mm)
4265AA**	42 in (1050 mm)	20.8 in
4266AA**		(527 mm)
4865AA**	48 in (1200 mm)	21.0 in
4866AA**		(533 mm)
6065AA**	60 in (1500 mm)	24.0 in
6066AA**		(610 mm)

**NOTES:**

PARTS ENDING WITH "65" OR "61" DO NOT HAVE A GASKET.  
PARTS ENDING WITH "66" OR "62" ARE THE PREMIUM  
COUPLING SUPPLIED WITH A GASKET.

\* PART 1211-11 FOR TWO STAGE SINGLE WALL PIPE ONLY

\*\* REPRESENTS A TWO-PIECE COUPLING SUPPLIED  
WITH SIX CABLES



NOTE: ALL FITTINGS DIMENSIONS ARE FOR REFERENCE ONLY

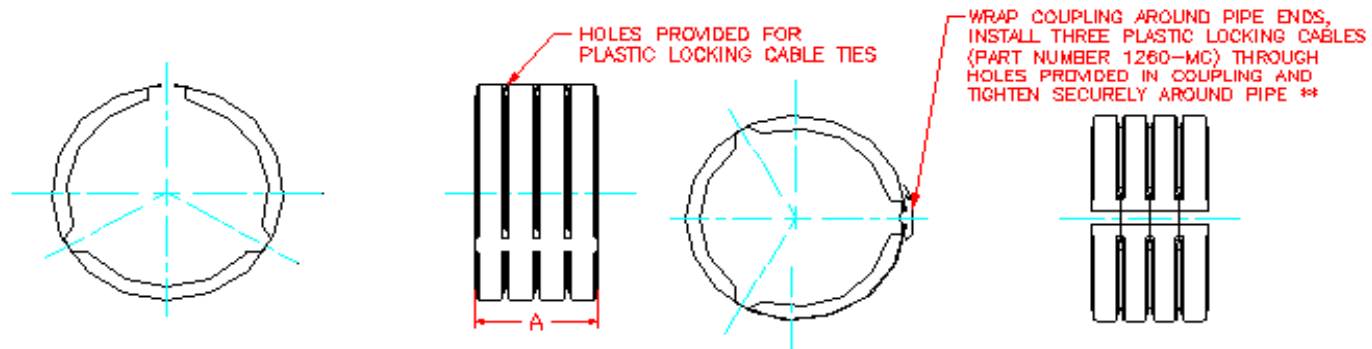
© 2021 Advanced Drainage Systems, Inc.

 Advanced Drainage Systems, Inc.™	DRAWING #:	2000A
	DRAWN BY:	JCB 09.05.06
	APPROVED BY:	JCB 06.25.07
	REVISIONS:	TJR 4/21/2016

**"H" PROFILE ST SPLIT COUPLER  
10" - 60" DIAMETER**

PART #	PIPE SIZE	A
1011AA	10 in (250 mm)	5.0 in (128 mm)
1211AA*	12 in (300 mm)	7.7 in (195 mm)
1265AA	12 in (300 mm)	7.7 in
1266AA		(196 mm)
1565AA	15 in (375 mm)	10.4 in
1566AA		(263 mm)
1865AA	18 in (450 mm)	10.7 in
1866AA		(272 mm)
2465AA	24 in (600 mm)	12.6 in
2466AA		(320 mm)
3065AA	30 in (750 mm)	16.5 in
3066AA		(419 mm)
3661AAH	36 in (900 mm)	19.1 in (485 mm)
N/A	42 in (1050 mm)	23.9 in (607 mm)
4865AAH	48 in (1200 mm)	23.9 in (608 mm)
N/A	60 in (1500 mm)	32.0 in (813 mm)

NOTE:  
TOP # : COUPLER ONLY  
BOTTOM # : COUPLER WITH GASKET



NOTE: ALL FITTINGS DIMENSIONS ARE FOR REFERENCE ONLY

© 2021 Advanced Drainage Systems, Inc.



DRAWING #:	2000B	
DRAWN BY:	JCB	09.05.06
APPROVED BY:	JCB	07.09.07
REVISIONS:	JCB	07.09.07

**SPLIT COUPLER REFERENCE CHART**  
**36" - 60" DIAMETER**

PART #	PIPE SIZE	PROFLE CONNECTION
3661AA	36 in	A - A
3661AAH		H - H
3661AAH		A - H
4265AA	42 in	A - A
MAR-MAC		H - H
MAR-MAC		A - H
4865AA	48 in	A - A
4865AAH		H - H
4865ANAH		A - H
6065AA	60 in	A - A
MAR-MAC		H - H
MAR-MAC		A - H

\* WRAP WITH GEOTEXTILE FOR PROPER CONNECTION

NOTE: ALL FITTINGS DIMENSIONS ARE FOR REFERENCE ONLY

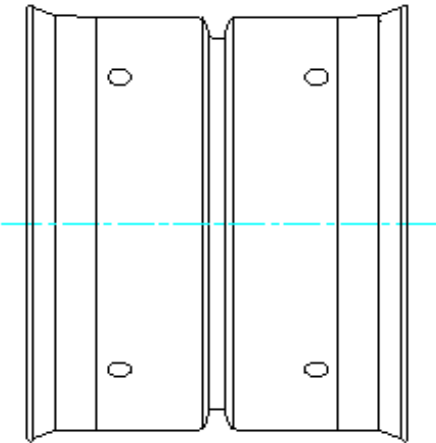
© 2021 Advanced Drainage Systems, Inc.



DRAWING #:	2000C	
DRAWN BY:	JCB	09.05.06
APPROVED BY:	JCB	7.09.07
REVISIONS:	JCB	07.09.07


**EXTERNAL SNAP COUPLING**  
**4" - 24" DIAMETER**

PART #	PIPE SIZE
0412AA	4 in (100 mm)
0613AA	6 in (150 mm)
0813AA	8 in (200 mm)
1013AA	10 in (250 mm)
1214AA	12 in (300 mm)
1514AA	15 in (375 mm)
1814AA	18 in (450 mm)
2414AA	24 in (600 mm)



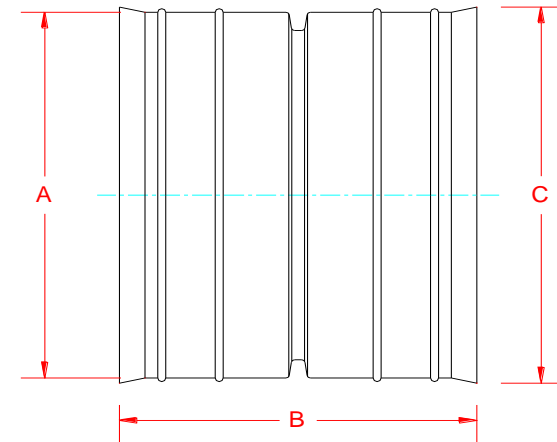
NOTE: ALL FITTINGS DIMENSIONS ARE FOR REFERENCE ONLY

© 2021 Advanced Drainage Systems, Inc.

 <small>Advanced Drainage Systems, Inc.</small>	DRAWING #:	2005	
	DRAWN BY:	JCB	09.06.06
	APPROVED BY:	JCB	07.09.07
	REVISIONS:	JCB	07.09.07

## BELL-BELL COUPLERS 12" - 60" DIAMETER


PART #	PIPE SIZE	A	B	C	JOINT
1215AA	12 in (300 mm)	14.6 in (371 mm)	14.0 in (356 mm)	15.4 in (391 mm)	ST/WT
1515AA	15 in (375 mm)	17.8 in (451 mm)	16.0 in (406 mm)	18.6 in (472 mm)	ST/WT
1815AA	18 in (450 mm)	21.4 in (544 mm)	18.0 in (457 mm)	22.4 in (569 mm)	ST/WT
2415AA	24 in (600 mm)	28.2 in (716 mm)	14.8 in (376 mm)	29.3 in (743 mm)	ST/WT
3013AN65	30 in (750 mm)	36.0 in (914 mm)	22.6 in (574 mm)	38.5 in (978 mm)	ST/WT
3613AN65	36 in (900 mm)	42.5 in (1080 mm)	22.6 in (574 mm)	45.1 in (1145 mm)	ST/WT
4213AN85	42 in (1050 mm)	48.9 in (1241 mm)	18.0 in (457 mm)	50.4 in (1280 mm)	ST
4213AN65	42 in (1050 mm)	48.9 in (1242 mm)	18.0 in (457 mm)	50.4 in (1280 mm)	WT
4813AN85	48 in (1200 mm)	54.9 in (1393 mm)	18.0 in (457 mm)	57.5 in (1461 mm)	ST
4813AN65	48 in (1200 mm)	54.9 in (1394 mm)	18.0 in (457 mm)	57.5 in (1461 mm)	WT
6013AN85	60 in (1500 mm)	67.3 in (1708 mm)	19.1 in (486 mm)	70.1 in (1780 mm)	ST
6013AN65	60 in (1500 mm)	67.3 in (1708 mm)	19.1 in (486 mm)	70.1 in (1780 mm)	WT



\* REQUIRES GASKET TO PROVIDE SPECIFIED JOINT PERFORMANCE

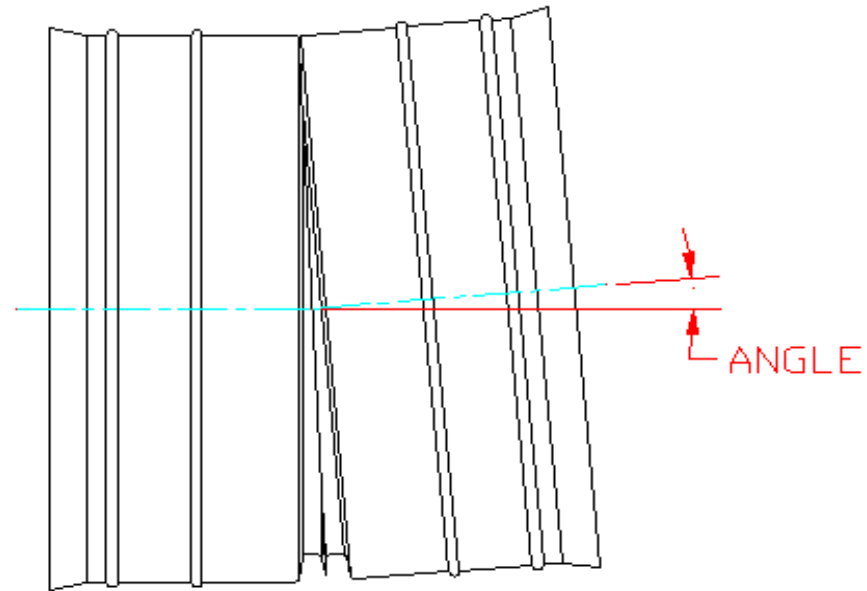
NOTE: ALL FITTINGS DIMENSIONS ARE FOR REFERENCE ONLY

© 2021 Advanced Drainage Systems, Inc.

	DRAWING #:	2030	
	DRAWN BY:	JCB	10.30.06
	APPROVED BY:		
	REVISIONS:	TJR	4/21/2016

WT MITERED BELL-BELL COUPLERS  
12" - 60" DIAMETER

PART #	PIPE SIZE	ANGLE
1213ANMC03	12 in (300 mm)	3 DEG.
1213ANMC05	12 in (300 mm)	5 DEG.
1513ANMC03	15 in (375 mm)	3 DEG.
1513ANMC05	15 in (375 mm)	5 DEG.
1813ANMC03	18 in (450 mm)	3 DEG.
1813ANMC05	18 in (450 mm)	5 DEG.
2413ANMC03	24 in (600 mm)	3 DEG.
2413ANMC05	24 in (600 mm)	5 DEG.
3013ANMC03	30 in (750 mm)	3 DEG.
3013ANMC05	30 in (750 mm)	5 DEG.
3613ANMC03	36 in (900 mm)	3 DEG.
3613ANMC05	36 in (900 mm)	5 DEG.
4213ANMC03	42 in (1050 mm)	3 DEG.
4213ANMC05	42 in (1050 mm)	5 DEG.
4813ANMC03	48 in (1200 mm)	3 DEG.
4813ANMC05	48 in (1200 mm)	5 DEG.
6013ANMC03	60 in (1500 mm)	3 DEG.
6013ANMC05	60 in (1500 mm)	5 DEG.



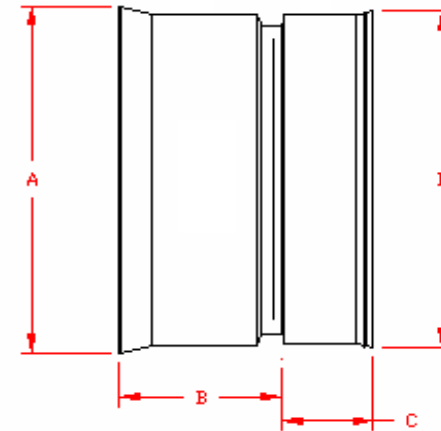
NOTE: ALL FITTINGS DIMENSIONS ARE FOR REFERENCE ONLY

© 2021 Advanced Drainage Systems, Inc.

 Advanced Drainage Systems, Inc.	DRAWING #:	2035
	DRAWN BY:	JCB 09.05.06
	APPROVED BY:	JCB 06.25.07
	REVISIONS:	NJP 06.13.07

**ADS BELL-BELL COUPLERS**  
36" - 60" DIAMETER

PART #	PIPE SIZE	A	B	C	D	JOINT
3613AN00AH	36 in (900 mm)	45.1 in (1146 mm)	15.3 in (389 mm)	11.3 in (287 mm)	45.1 in (1145 mm)	ST/WT
4213AN85AH	42 in (1050 mm)	51.4 in (1306 mm)	15.3 in (389 mm)	11.0 in (279 mm)	51.4 in (1306 mm)	ST
4213AN65AH	42 in (1050 mm)	51.4 in (1306 mm)	15.3 in (389 mm)	11.0 in (279 mm)	51.4 in (1306 mm)	WT
4813AN85AH	48 in (1200 mm)	57.5 in (1461 mm)	15.7 in (398 mm)	11.4 in (289 mm)	57.5 in (1461 mm)	ST
4813AN65AH	48 in (1200 mm)	57.5 in (1461 mm)	15.7 in (398 mm)	11.4 in (289 mm)	57.5 in (1461 mm)	WT
6013AN85AH	60 in (1500 mm)	70.1 in (1781 mm)	19.4 in (494 mm)	11.4 in (289 mm)	70.1 in (1780 mm)	ST
6013AN65AH	60 in (1500 mm)	70.1 in (1781 mm)	19.4 in (494 mm)	11.4 in (289 mm)	70.1 in (1780 mm)	WT



ST & WT (INCLUDES CORRESPONDING GASKETS)

NOTE: ALL FITTINGS DIMENSIONS ARE FOR REFERENCE ONLY

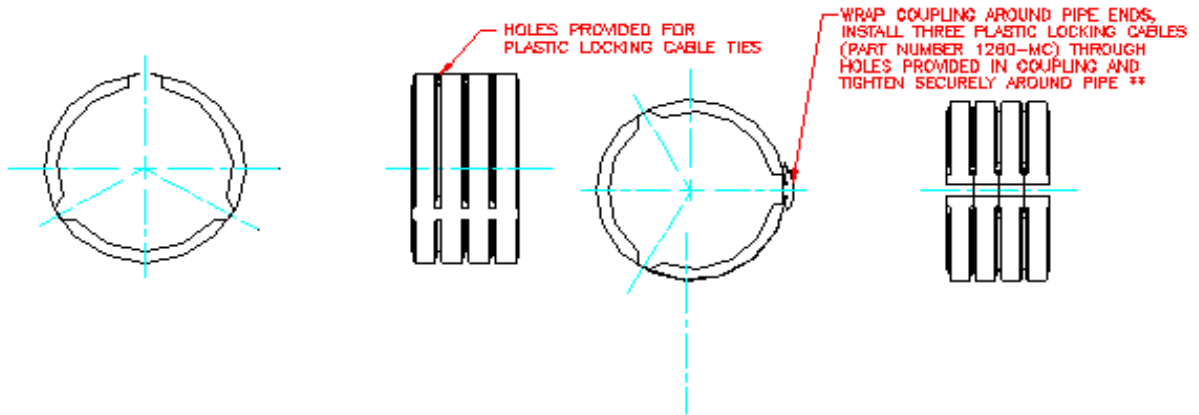
© 2021 Advanced Drainage Systems, Inc.

 Advanced Drainage Systems, Inc.	DRAWING #:	2040	
	DRAWN BY:	NJP	07.21.06
	APPROVED BY:	JCB	06.25.07
	REVISIONS:	NJP	06.13.07



# ADS HYBRID SPLIT COUPLER 48" DIAMETER

PART #	PIPE SIZE
2465ANH	24 in (600 mm)
4865ANH	48 in (1200 mm)



NOTE: ALL FITTINGS DIMENSIONS ARE FOR REFERENCE ONLY

© 2021 Advanced Drainage Systems, Inc.

 Advanced Drainage Systems, Inc.	DRAWING #:	2045	
	DRAWN BY:	NJP	07.21.06
	APPROVED BY:	JCB	07.09.07
	REVISIONS:	JCB	07.09.07