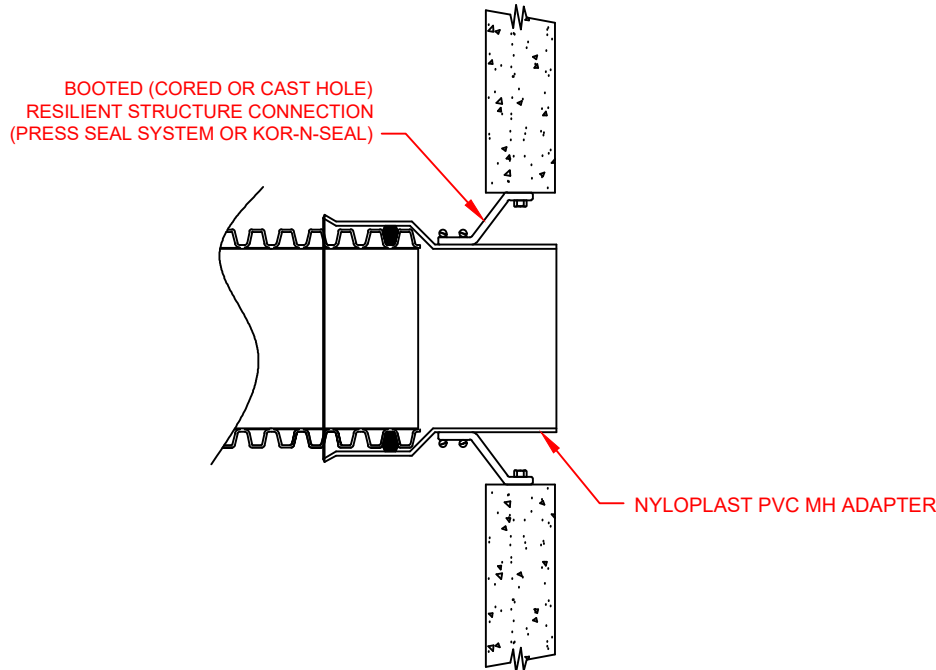


BOOTED (CORED OR CAST HOLE) RESILIENT STRUCTURE CONNECTION 12"- 30" HDPE N-12 W/ NYLOPLAST PVC MH ADAPTER



PIPE SIZE	NYLOPLAST PVC ADAPTER	PRESS SEAL® SYSTEMS *	TRELLEBORG	
		PSX: DIRECT DRIVE	KOR-N-SEAL® *	
			SERIES I OR II	SERIES 306
12" (300mm)	1277AG	16M	S106-16AWP	N/A
15" (375mm)	1577AG	18M OR 20Y	S106-20BWS	N/A
18" (450mm)	1877AG	22M	S206-24A	S306-22
24" (600mm)	2477AG	28A	S206-28	S306-28
30" (750mm)	3077AG	36A	S206-36	S306-36

NOTES:

PERFORMANCE HIGHLY DEPENDENT ON INSTALLATION. CONTRACTOR MUST ENSURE MANHOLE GASKET IS UNIFORMLY SEATED AROUND STRUCTURE ADAPTER. EXTRA PRECAUTIONS MUST BE TAKEN TO PREVENT DIFFERENTIAL SETTLEMENT BETWEEN THE PIPE AND MANHOLE.

SEE STANDARD DETAIL STD-201 AND TECHNICAL NOTE: 5.04 HDPE CONNECTIONS TO MANHOLES AND STRUCTURES FOR INSTALLATION RECOMMENDATIONS.

NYLOPLAST PVC ADAPTER OD EQUIVALENT TO SDR 35

* THIRD PARTY - CODES AS SUPPLIED BY MANUFACTURER
PSX Systems are a product of PRESS-SEAL GASKET CORPORATION. (www.press-seal.com)
KOR-N-SEAL is a registered trademark of NPC, Inc. (www.npc.com)
© 2019 ADS, INC.

6	UPDATED DETAIL AND TABLE	AMT	09-09-19		
REV.	DESCRIPTION	BY	MM/DD/YY	CHK'D	

ADVANCED DRAINAGE SYSTEMS, INC. ("ADS") HAS PREPARED THIS DETAIL BASED ON INFORMATION PROVIDED TO ADS. THIS DRAWING IS INTENDED TO DEPICT THE COMPONENTS AS REQUESTED. ADS HAS NOT PERFORMED ANY ENGINEERING OR DESIGN SERVICES FOR THIS PROJECT, NOR HAS ADS INDEPENDENTLY VERIFIED THE INFORMATION SUPPLIED. THE INSTALLATION DETAILS PROVIDED HEREIN ARE GENERAL RECOMMENDATIONS AND ARE NOT SPECIFIC FOR THIS PROJECT. THE DESIGN ENGINEER SHALL REVIEW THESE DETAILS PRIOR TO CONSTRUCTION. IT IS THE DESIGN ENGINEER'S RESPONSIBILITY TO ENSURE THE DETAILS PROVIDED HEREIN MEETS OR EXCEEDS THE APPLICABLE NATIONAL, STATE, OR LOCAL REQUIREMENTS AND TO ENSURE THAT THE DETAILS PROVIDED HEREIN ARE ACCEPTABLE FOR THIS PROJECT.

12"-30" HDPE N-12 BOOTED (CORED OR CAST HOLE) STRUCTURE CONNECTION W/ PVC ADAPTER

DRAWING NUMBER: STD-204G



4640 TRUEMAN BLVD
HILLIARD, OHIO 43026

DRAWN BY:	CKS
DATE:	10/10/06
CHK'D BY:	
SCALE:	NTS
SHEET:	1 OF 1