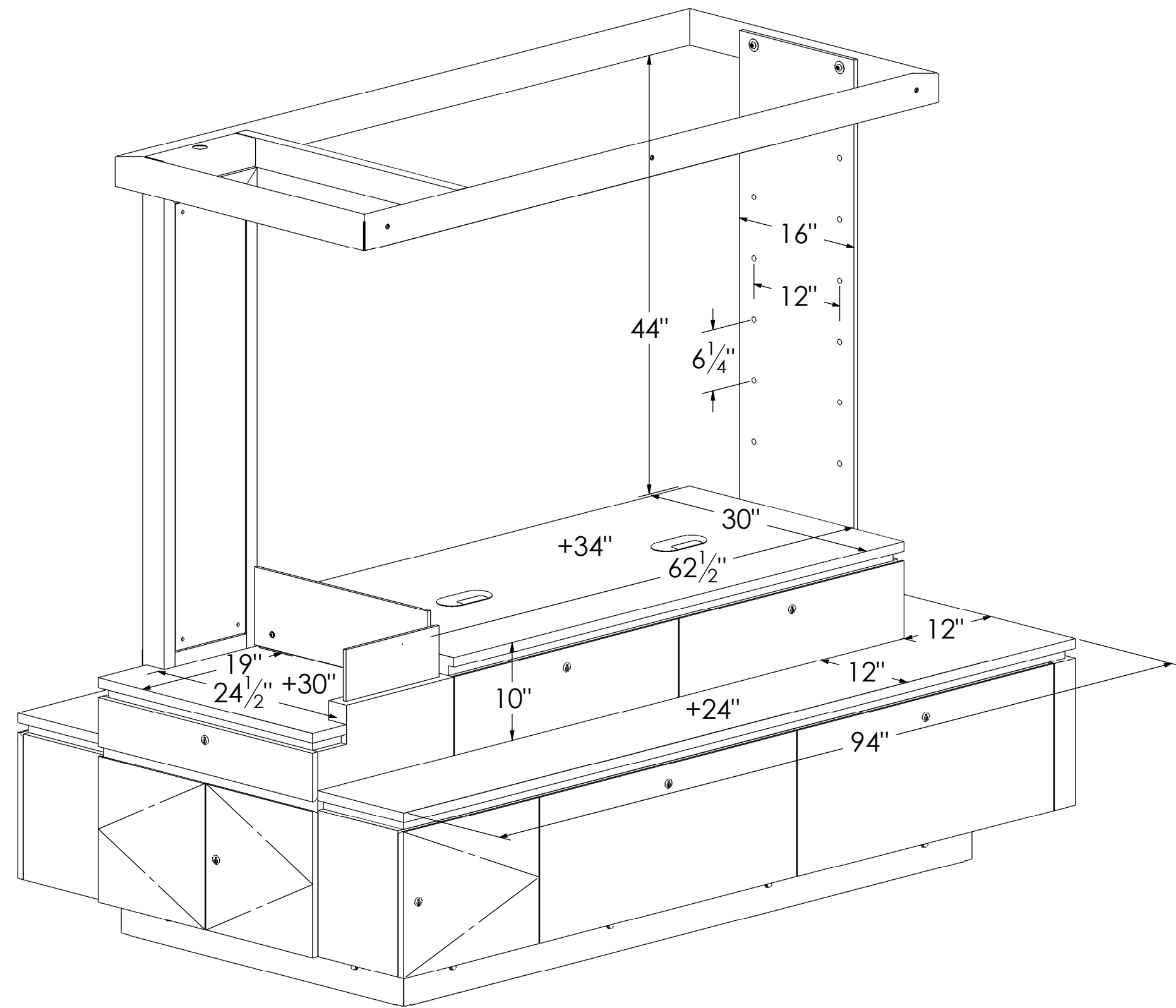


8 7 6 5 4 3 2 1

REVISIONS		
REV.	DESCRIPTION	DATE



D
C
B
A

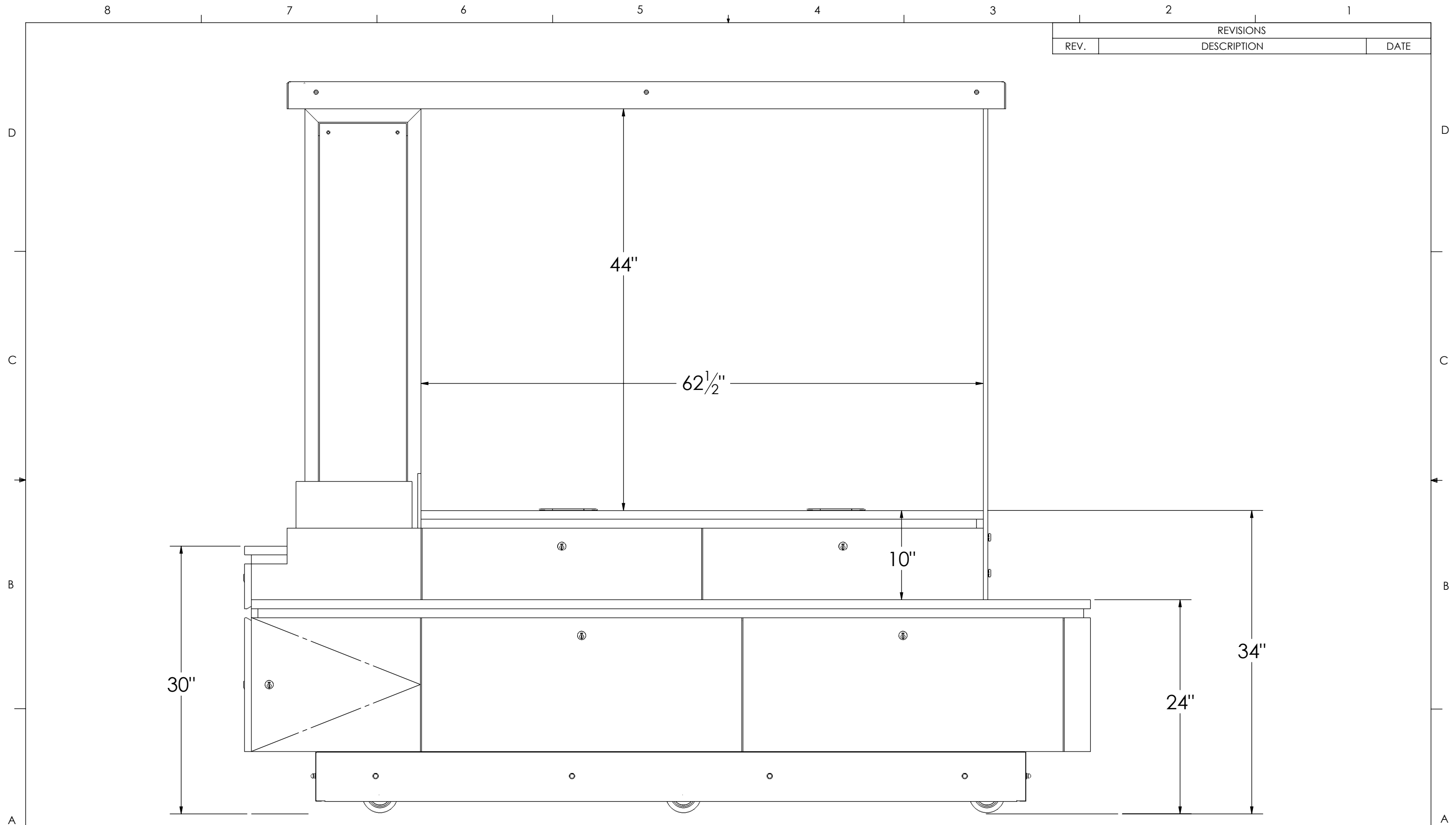
D
C
B
A

ISOMETRIC VIEW

PROJECT NAME			
CERRITOS INTERIOR RMU - 2015			
DESCRIPTION			
Cerritos Interior RMU 2015 - Fixture Sizing			
DIMENSIONS ARE IN INCHES		SAND MOUNTAIN, INC.	
DRAWN BY:	SCALE:1:12	DATE: 6/19/2015	SHEET 1 OF 3
J TURNER			

8 7 6 5 4 3 2 1

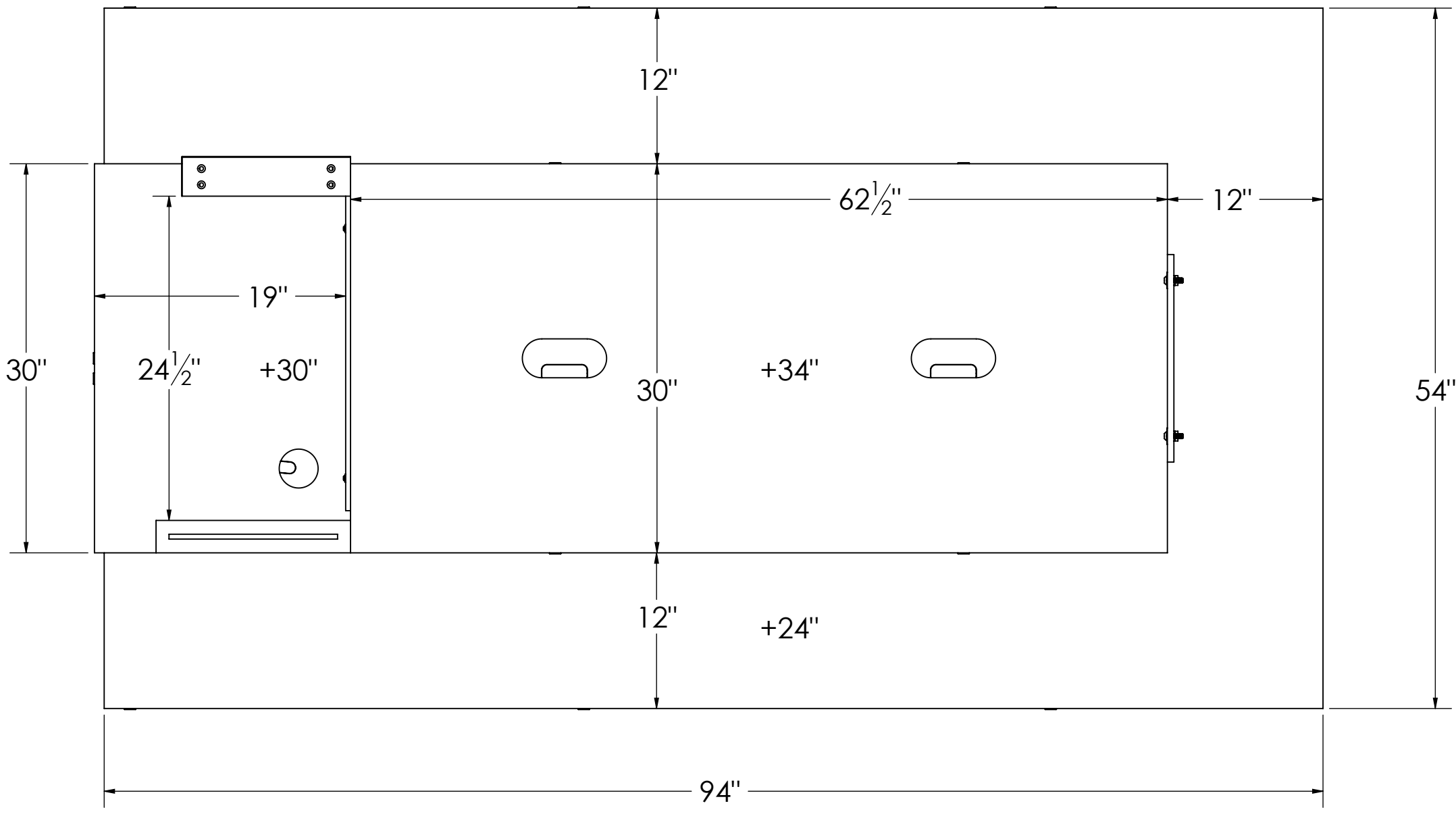
REVISIONS		
REV.	DESCRIPTION	DATE



SIDE ELEVATION

PROJECT NAME			
CERRITOS INTERIOR RMU - 2015			
DESCRIPTION			
Cerritos Interior RMU 2015 - Fixture Sizing			
DIMENSIONS ARE IN INCHES		SAND MOUNTAIN, INC.	
DRAWN BY:	SCALE:1:10	DATE: 6/19/2015	SHEET 2 OF 3
J TURNER			

REVISIONS		
REV.	DESCRIPTION	DATE



PLAN VIEW

PROJECT NAME			
CERRITOS INTERIOR RMU - 2015			
DESCRIPTION			
Cerritos Interior RMU 2015 - Fixture Sizing			
DIMENSIONS ARE IN INCHES		SAND MOUNTAIN, INC.	
DRAWN BY: J TURNER	SCALE:1:10	DATE: 6/19/2015	SHEET 3 OF 3