







ASSEMBLY INSTRUCTIONS

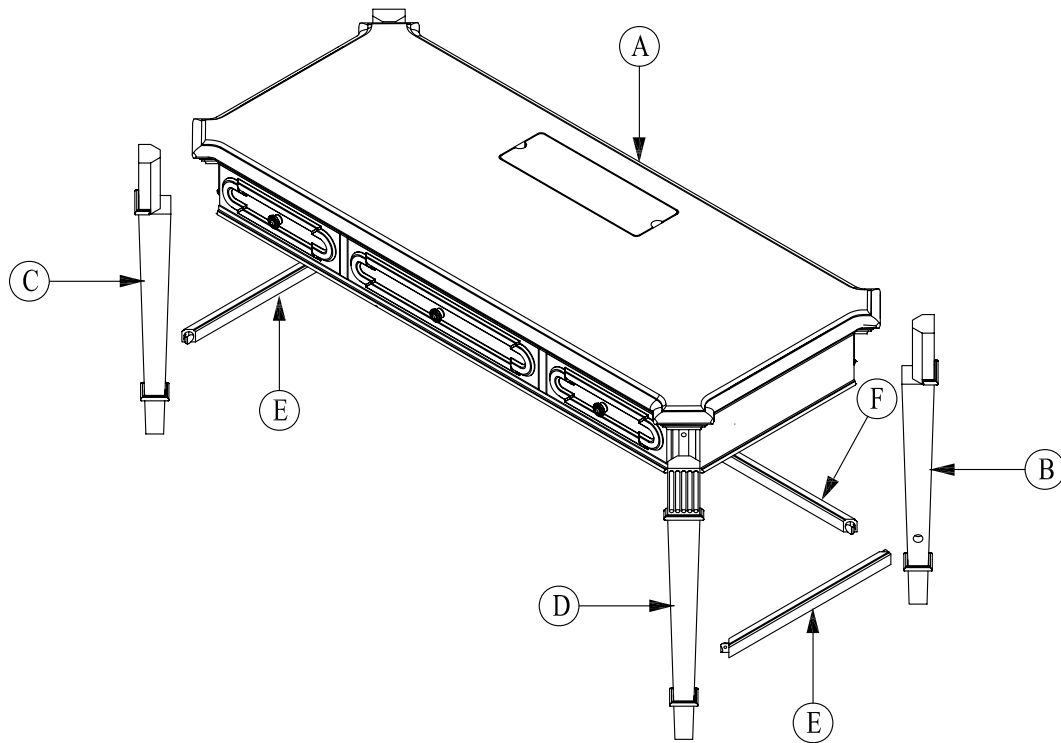
RCKF 5931-330 : WRITING DESK 60" W/PWR # SKU 26059318
 RCKF 5948-330 : WRITING DESK 60" W/PWR # SKU 26059483

Thank you for purchasing this quality product. Be sure to check all packing material carefully for small parts, which may have come loose inside the carton during shipment. Identify and count all parts and compare with the Hardware List below.

Part List	No.	Description	Qty
	A	Top	1 Pc
	B	Back Legs	2 Pcs
	C	Left Front Leg	1 Pc
	D	Right Front Leg	1 Pc
	E	Side Stretchers	1 Pc
	F	Back Stretcher	2 Pcs

Hardware List	No.	Picture	Description	Dimension	Qty
	1		Screws	Ø8 x 2 1/2 "	6 Pcs
	2		Bolts	Ø1/4 x 18 x 1 3/4"	8 Pcs
	3		Lock Washers	Ø8 x Ø14 mm	8 Pcs
	4		Flat Washers	Ø8 x Ø18 mm	8 Pcs
	5		Allen Key	4 x 60 mm	1 Pc
6		Phillip Headscrew Driver (not included)			

PART DETAIL

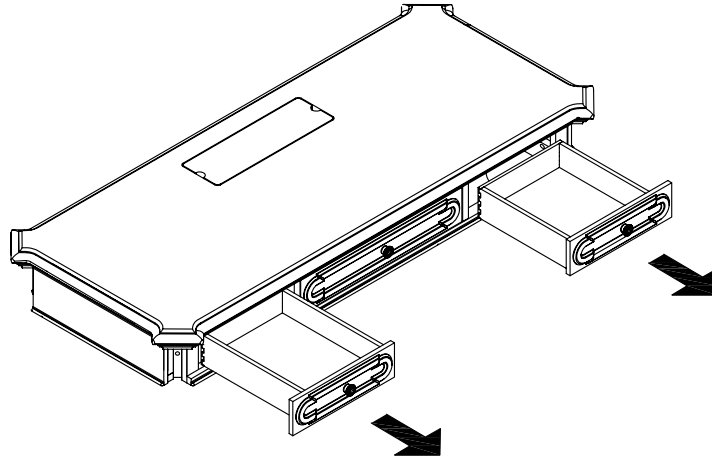


RCKF 5931-330 : WRITING DESK 60" W/PWR # SKU 26059318
RCKF 5948-330 : WRITING DESK 60" W/PWR # SKU 26059483

ASSEMBLY STEP

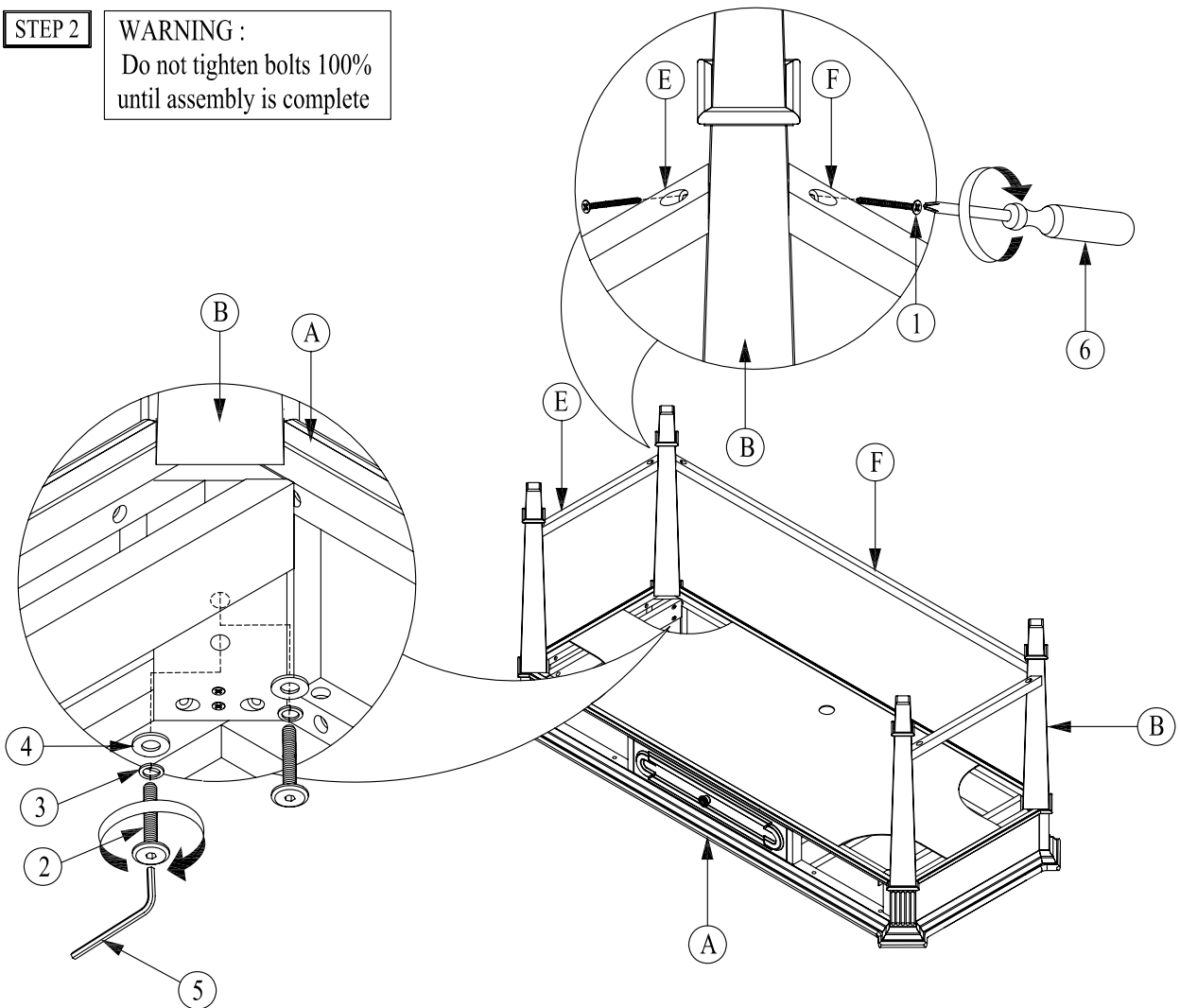
STEP 1

Pull the left & right drawers
maximally before assembling the legs



STEP 2

WARNING :
Do not tighten bolts 100%
until assembly is complete

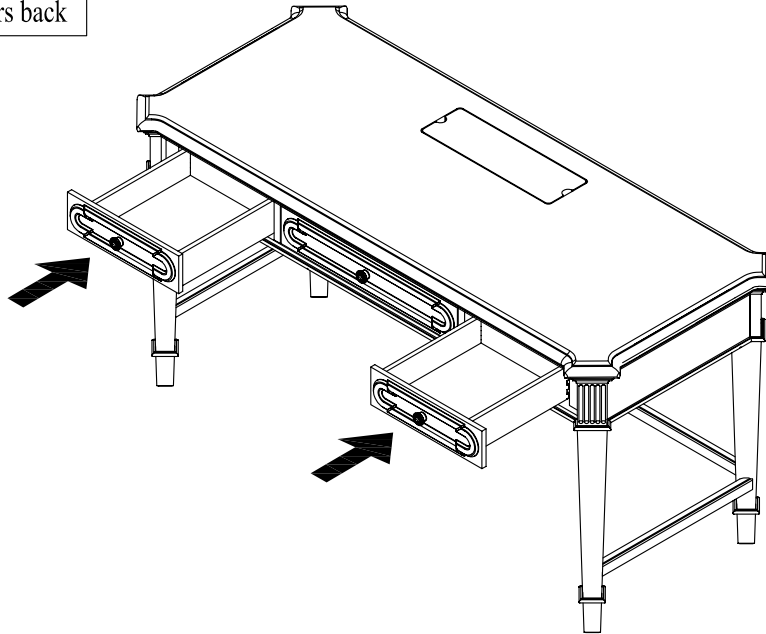


RCKF 5931-330 : WRITING DESK 60" W/PWR # SKU 26059318
RCKF 5948-330 : WRITING DESK 60" W/PWR # SKU 26059483

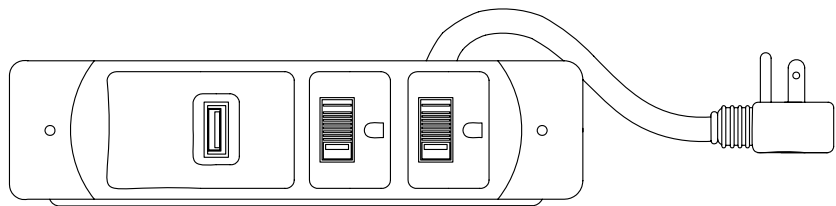
ASSEMBLY STEP

STEP 3

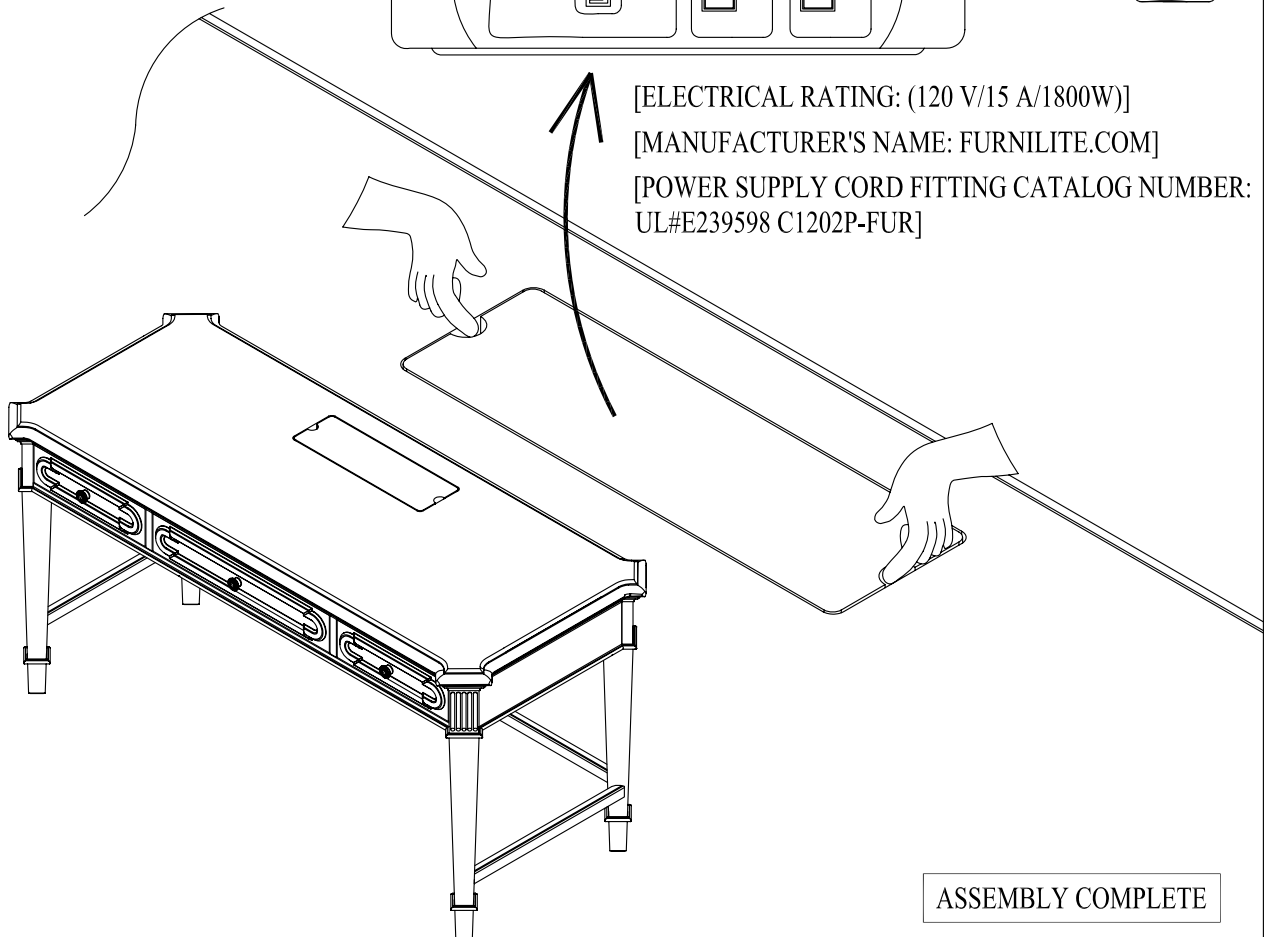
Put drawers back



STEP 3



[ELECTRICAL RATING: (120 V/15 A/1800W)]
[MANUFACTURER'S NAME: FURNILITE.COM]
[POWER SUPPLY CORD FITTING CATALOG NUMBER:
UL#E239598 C1202P-FUR]



ASSEMBLY COMPLETE