



# USER MANUAL



NUMBER OF PLAYERS  
**2 PLAYERS**



PLEASE READ FIRST  
**10 MINUTES**



ASSEMBLY TIME  
**15 MINUTES**

WWW.SECRETLAB.CO

# TABLE OF CONTENTS

**1** WARNING

---

**2** SPECIFICATIONS

---

**3** TOOLKIT AND HARDWARE

---

**4** PARTS

---

**5** ASSEMBLY OVERVIEW

---

**6** ASSEMBLY GUIDE

---

**7** USAGE INSTRUCTIONS

---

# WARNING



This desk is not intended for use by children without adult supervision.



Do not stand on the desk.



Do not sit on the desk.



Do not place your hand or fingers between the rear cover and table top.



Do not exceed the table top and rear cover maximum load capacity.



Do not adjust the desk height when there is heavy top load.



Do not drag the desk across the floor.



Do not use the desk surface as a cutting surface.

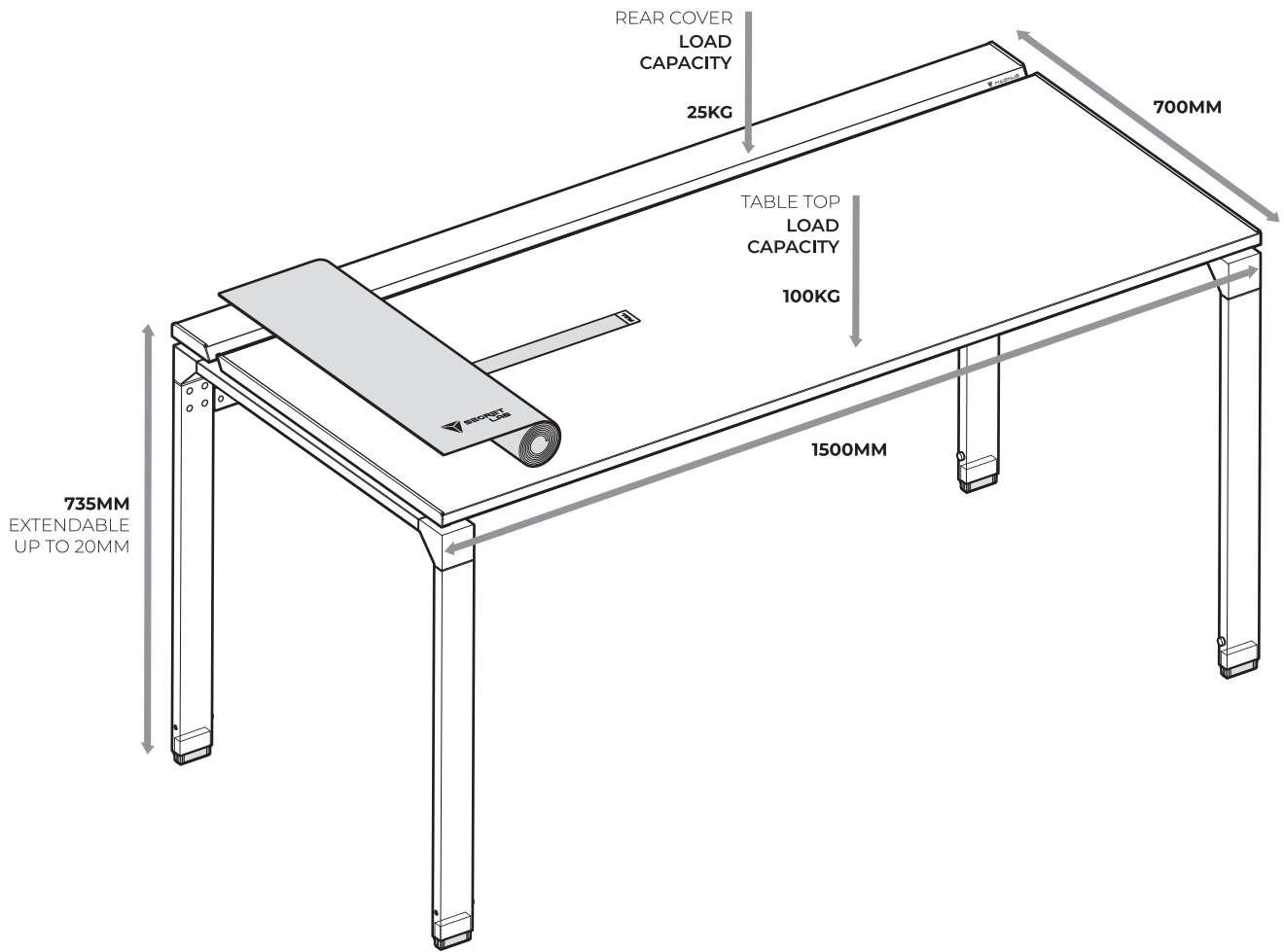
**FAILURE TO COMPLY WITH OR OBSERVE ALL ASSEMBLY, SAFETY AND OPERATION INSTRUCTIONS REGARDING THE USE OF THIS PRODUCT MAY RESULT IN BODILY INJURY.**

- This document contains important safety regulations. Any non-conforming use may result in personal injury or mechanical damage.
- Please read this user manual carefully before use as it provides key information about safety, use, assembly and maintenance of the desk.
- Ensure that you have received all parts according to the part checklist prior to installation. If any parts are missing or faulty, contact the Secretlab support team for replacements.
- This product is to be assembled by at least two people.
- This product contains small items that could be a choking hazard if swallowed. Keep these items away from children.
- Do not over tighten the screws during installation.
- Do not open and close the hinged rear cover from the middle, only open and close from the sides. Always watch your hands and fingers when opening and closing the rear cover.
- Do not exceed the maximum load capacity of the table top (100kg) and rear cover (25kg).
- Do not wobble the desk forcefully on purpose.
- This product is designed for indoor use only. Using the product outdoors could lead to product failure and personal injury.
- Place the product away from corrosive gas, water and dusty environment.
- Alteration or modding of any factory components outlined in the checklist will automatically void your warranty.

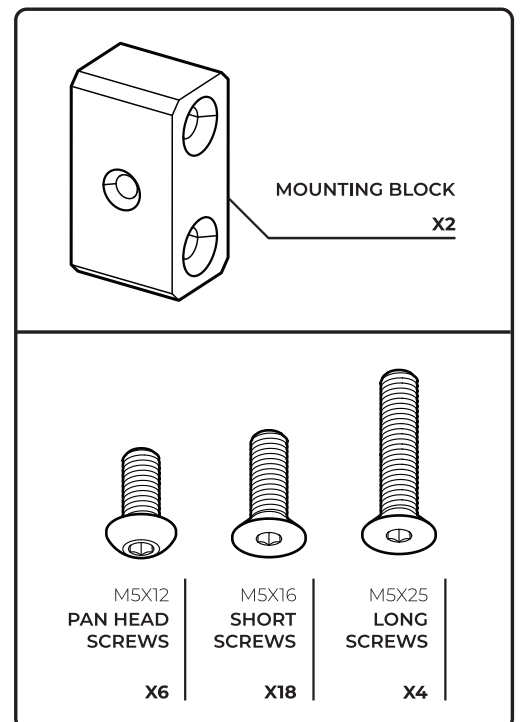
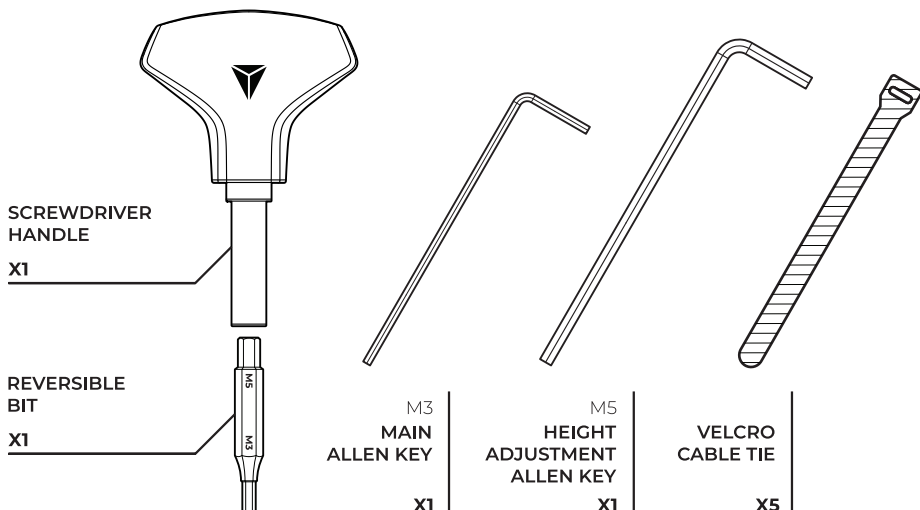
## USE AND LIABILITY

This desk is designed for indoor use and dry work areas only. Under no circumstances does the manufacturer accept warranty claims or liability claims for damages caused from improper use or handling of the desk.

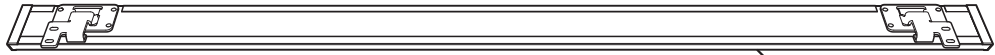
# SPECIFICATIONS



# TOOLKIT AND HARDWARE



# PARTS



REAR COVER



SECRETLAB MAGPAD™  
MAGNETIC DESK MAT

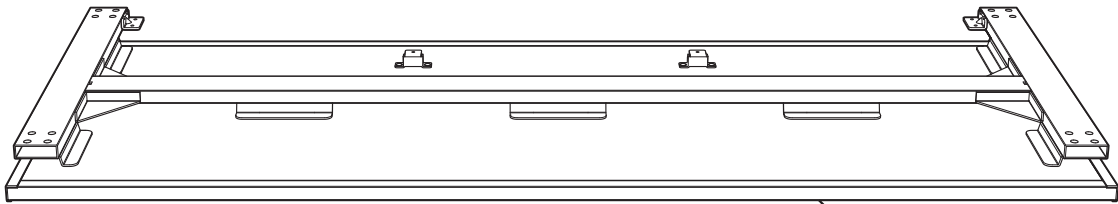
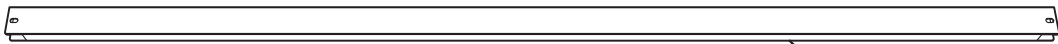


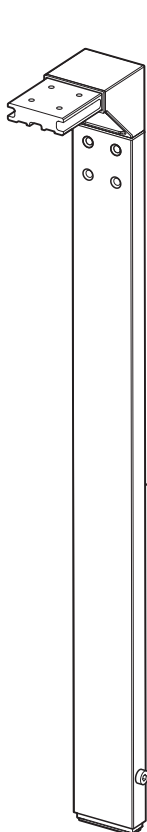
TABLE TOP



SUPPORT BAR

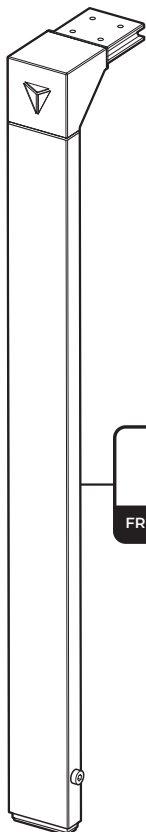


CABLE MANAGEMENT  
TRAY + COVER



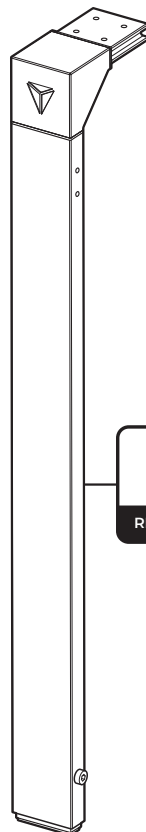
**A**

FRONT LEG



**B**

FRONT LEG



**C**

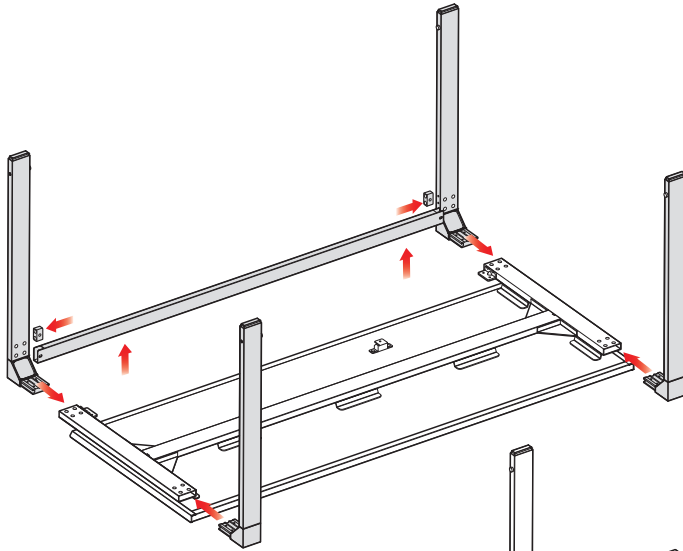
REAR LEG



**D**

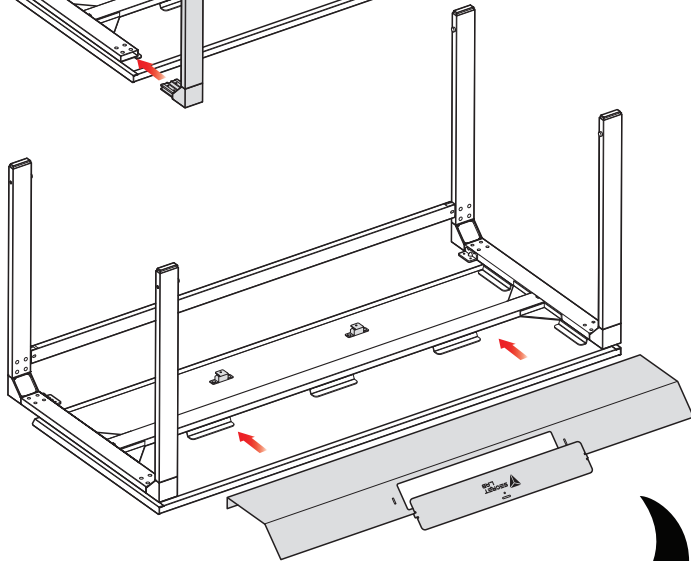
REAR LEG

# ASSEMBLY OVERVIEW



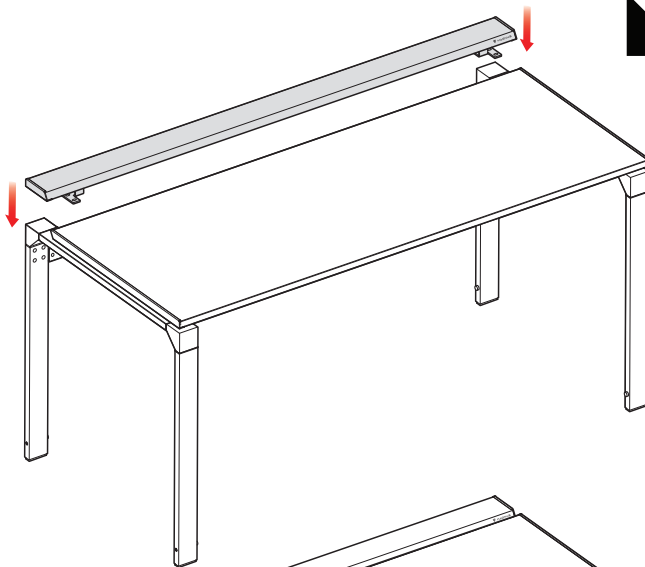
## STAGE 1

LEG ASSEMBLY



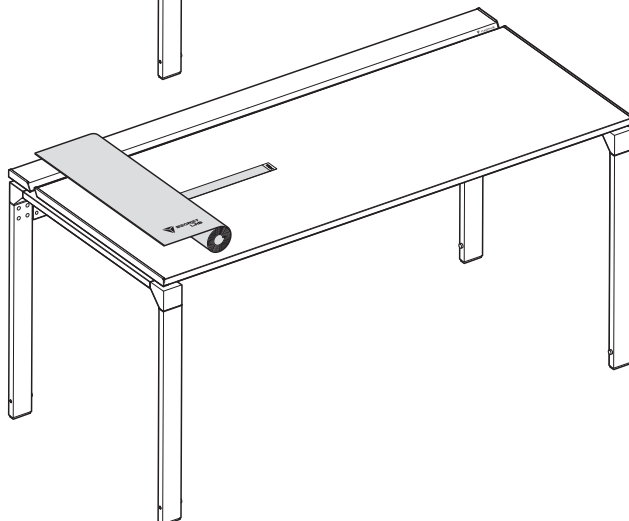
## STAGE 2

CABLE TRAY ASSEMBLY



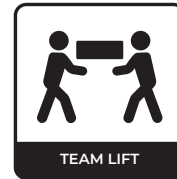
## STAGE 3

REAR COVER ASSEMBLY



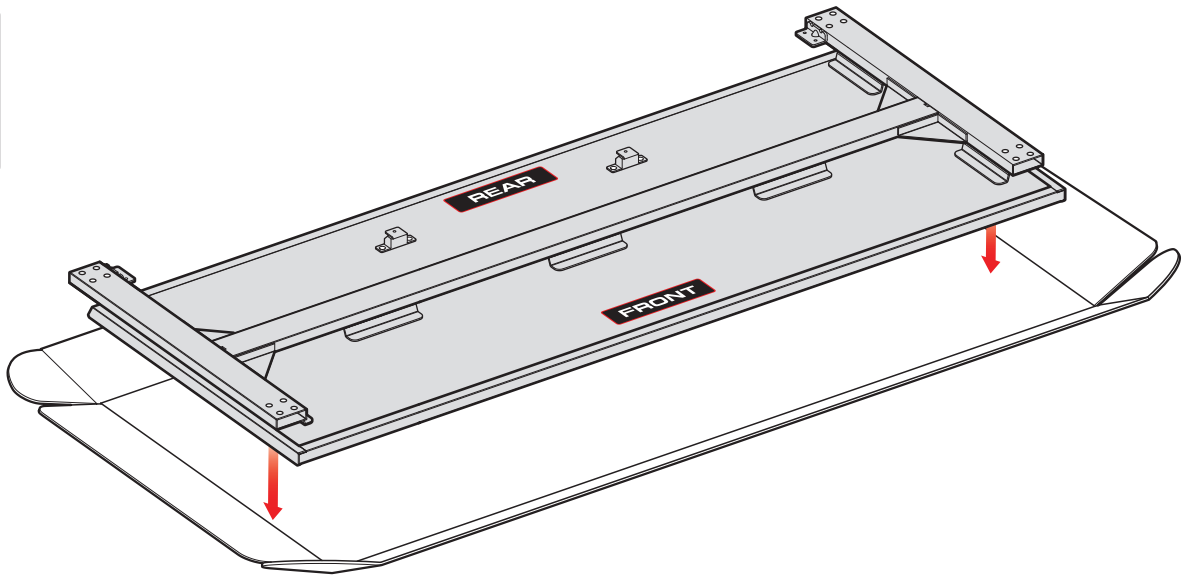
## STAGE 4

TABLE MAT AND FINAL TOUCHES

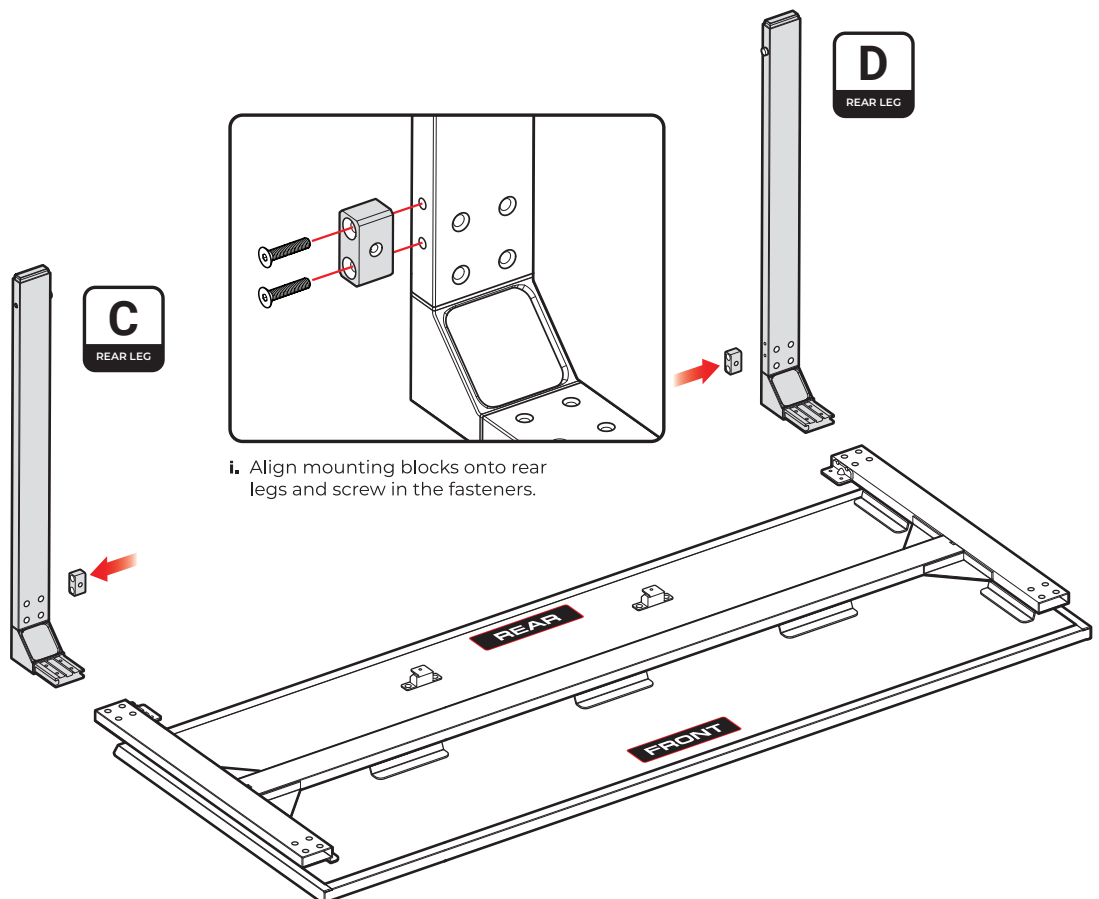
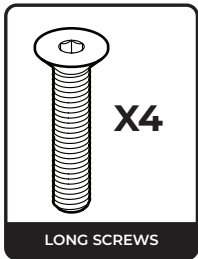


# ASSEMBLY GUIDE

## STAGE 1.1

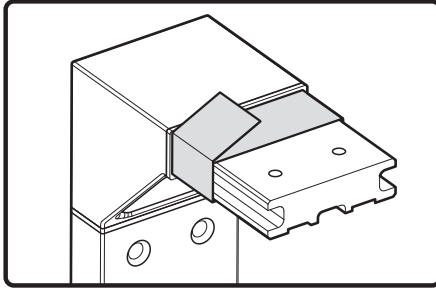


## STAGE 1.2

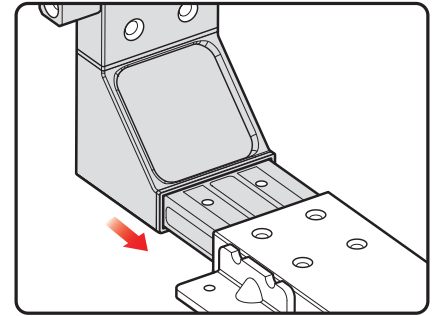


## STAGE 1.3

i. Remove strap.



ii. Slot legs into table top.

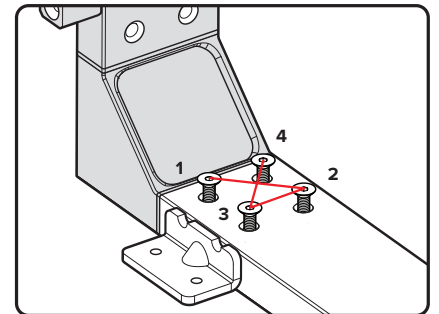


**C**  
REAR LEG

**D**  
REAR LEG

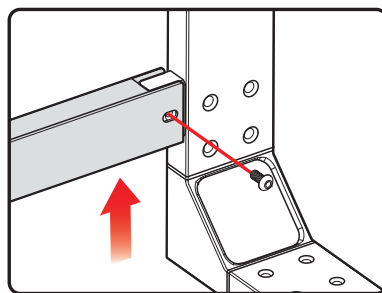
**B**  
FRONT LEG

**A**  
FRONT LEG

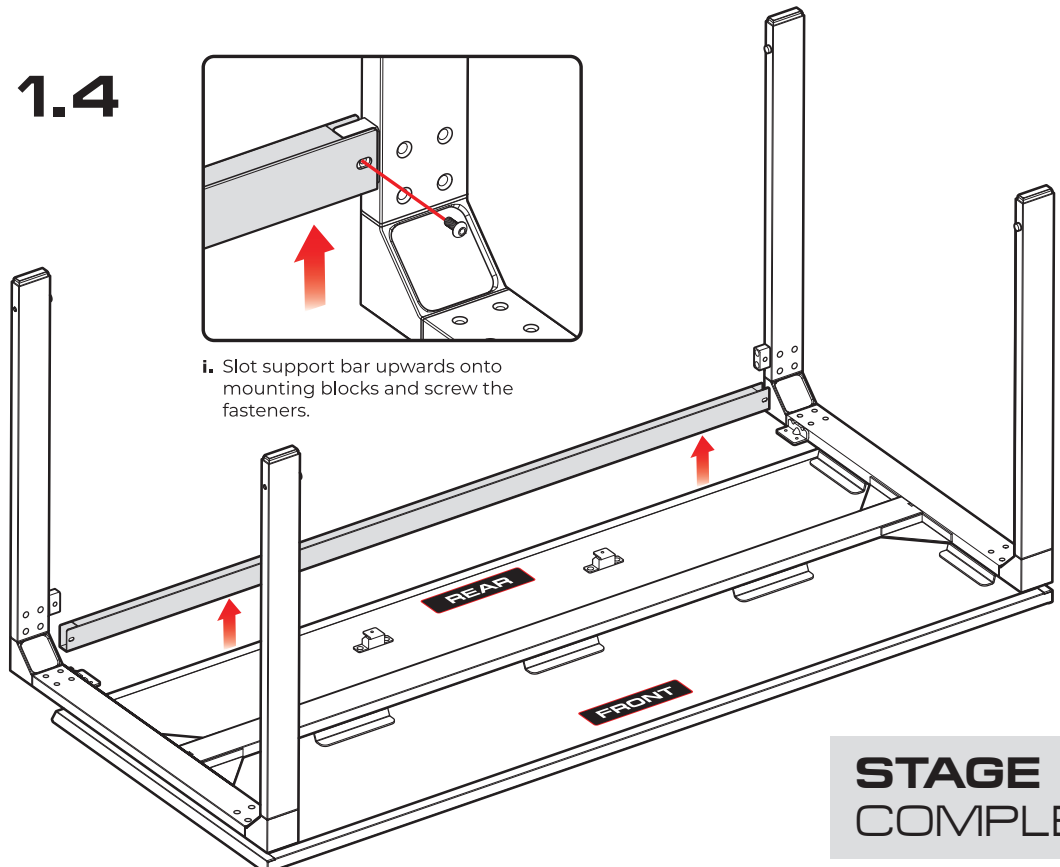


iii. Tighten fasteners in a diagonal sequence.

## STAGE 1.4



i. Slot support bar upwards onto mounting blocks and screw the fasteners.

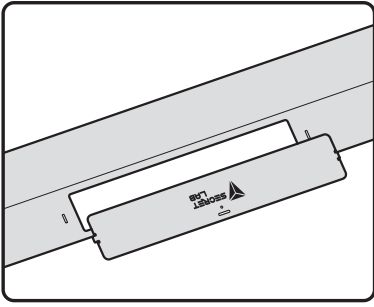


**STAGE 1**  
**COMPLETE**

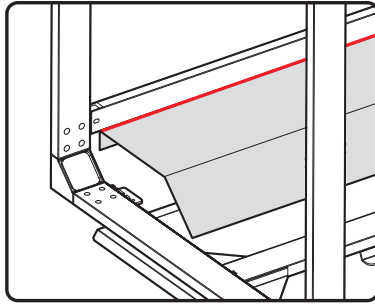


# ASSEMBLY GUIDE

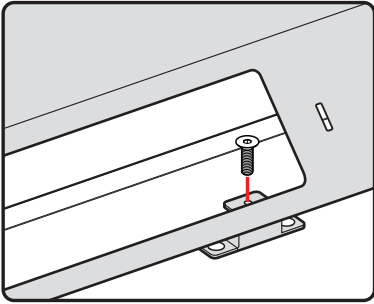
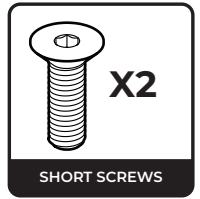
## STAGE 2.1



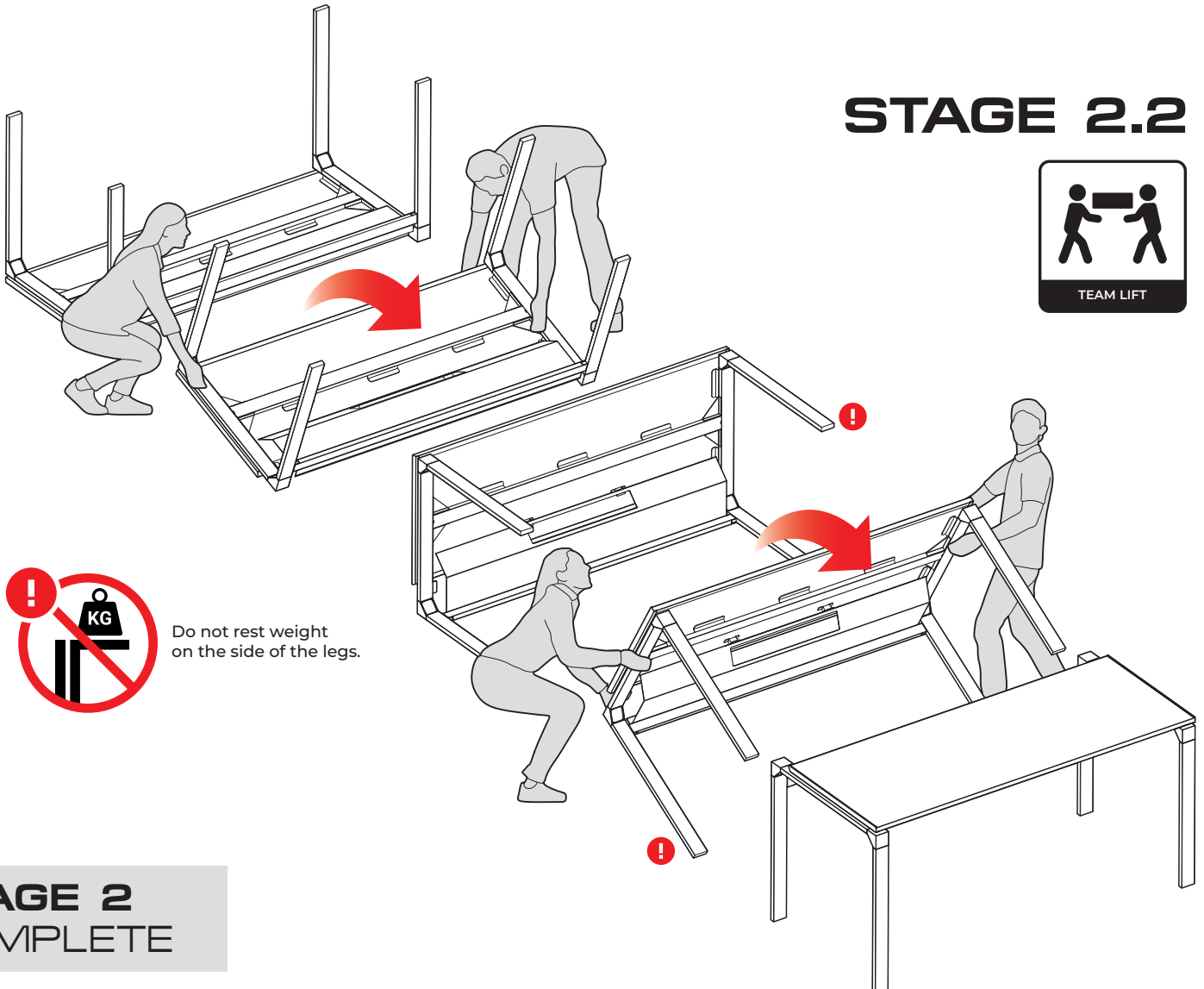
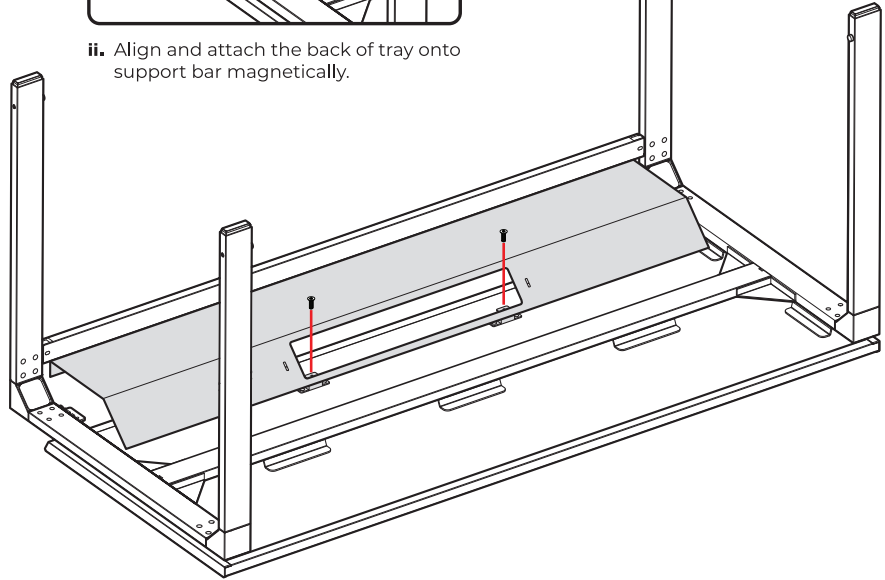
i. Remove cable management tray cover.



ii. Align and attach the back of tray onto support bar magnetically.



iii. Screw in the fasteners.



## STAGE 2.2

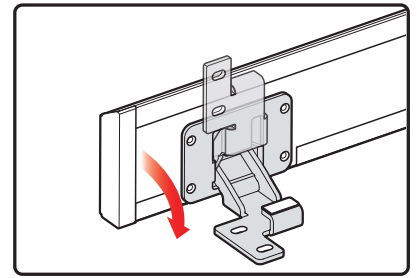
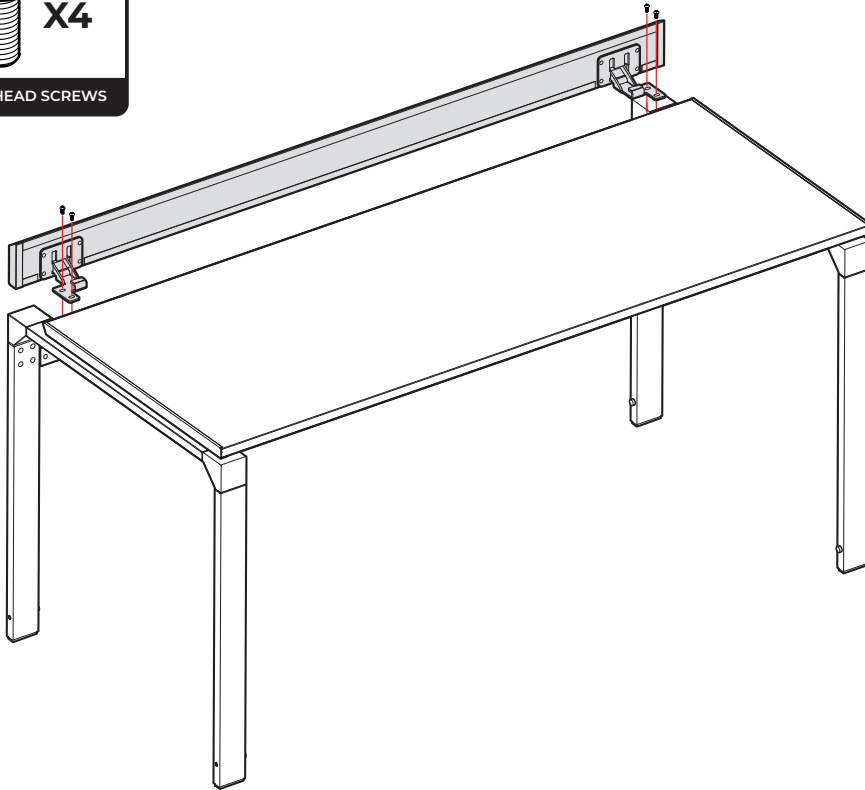


Do not rest weight on the side of the legs.

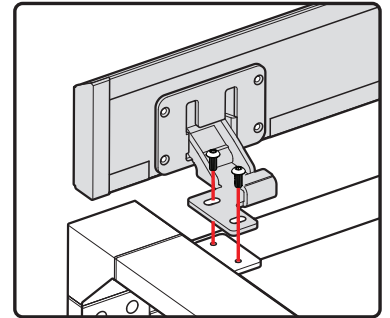
**STAGE 2  
COMPLETE**

# ASSEMBLY GUIDE

## STAGE 3



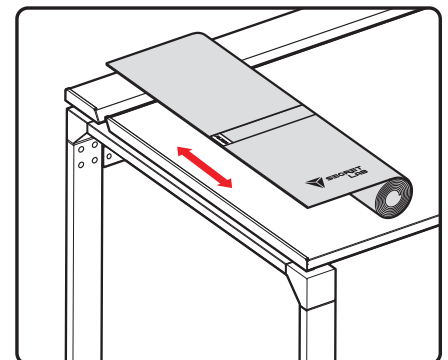
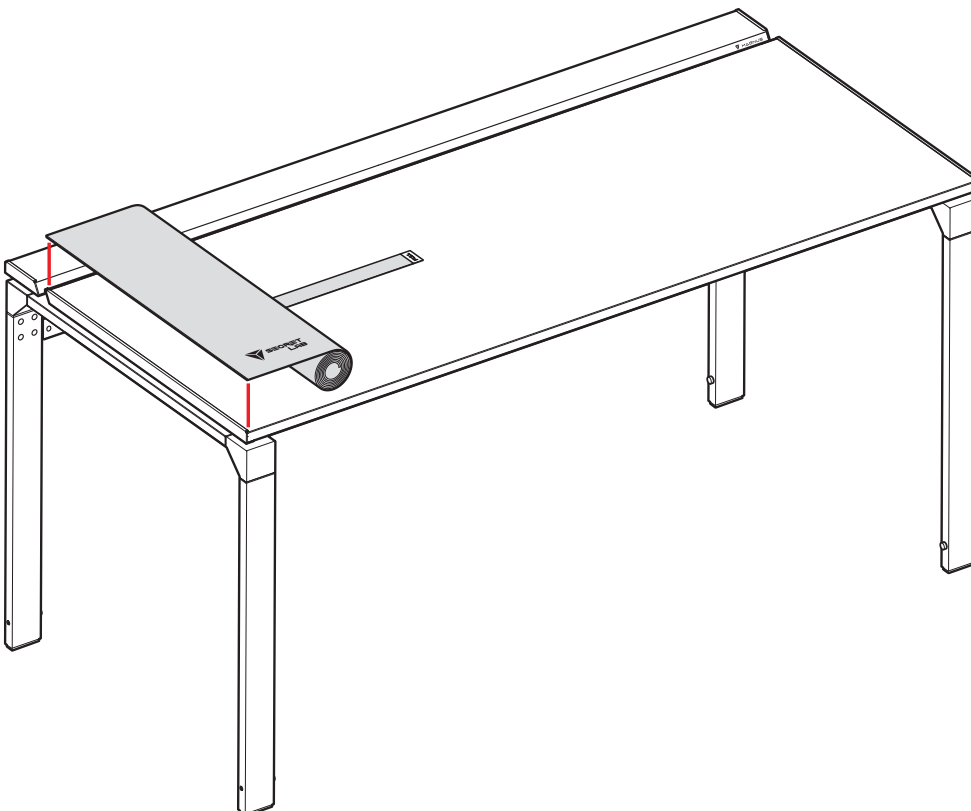
i. Pull both hinges down.



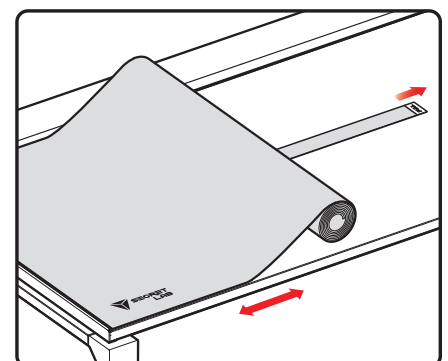
ii. Align rear cover onto table top and screw in the fasteners.

**STAGE 3  
COMPLETE**

## STAGE 4

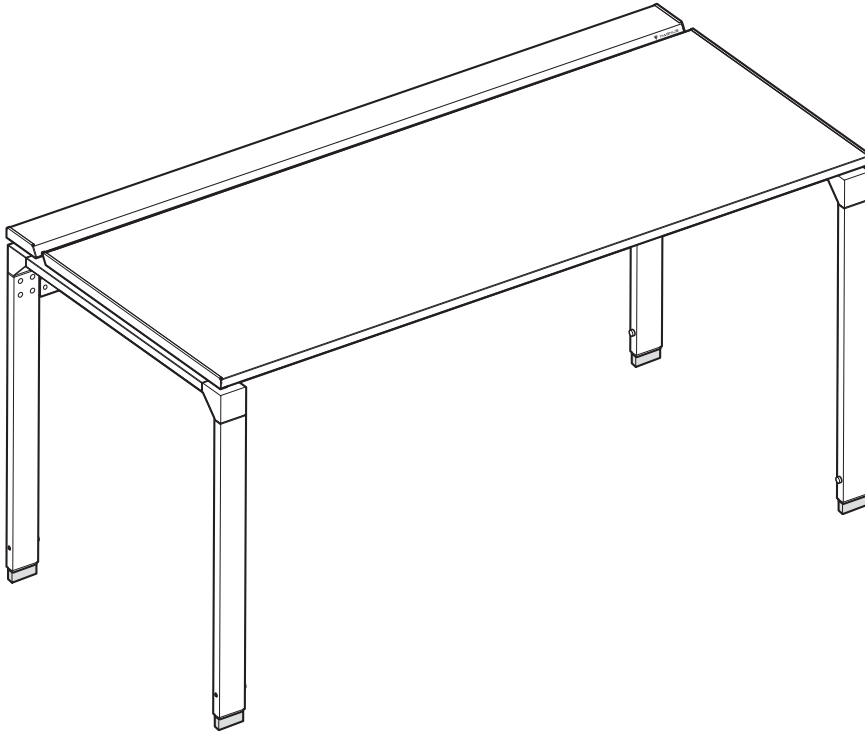


i. Align table mat to left edge of the desk.

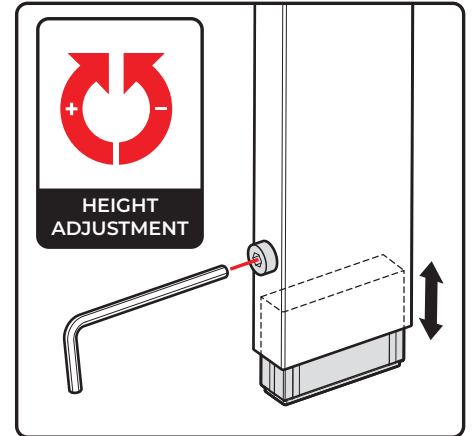


ii. Pull the strip to unroll the table mat and keep it aligned to the front edge.

# USAGE INSTRUCTIONS



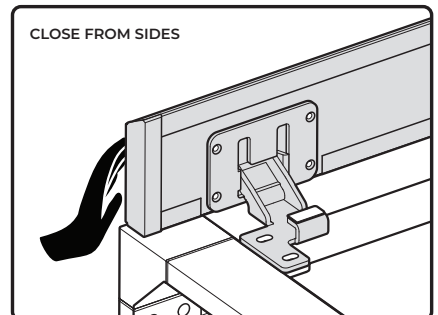
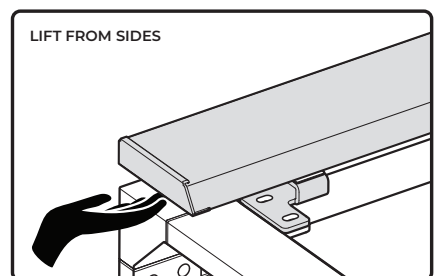
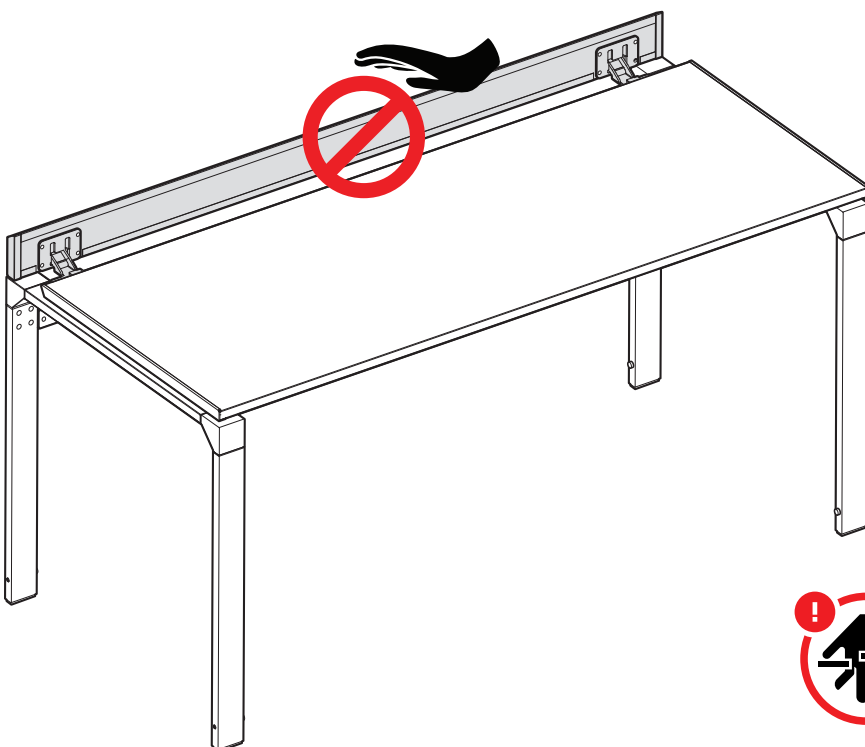
**STAGE 4**  
COMPLETE



## ADJUSTING THE DESK HEIGHT

Using the larger height adjustment allen key, turn clockwise to increase the height and anti-clockwise to decrease the height. Do not adjust when there is heavy load on the desk.

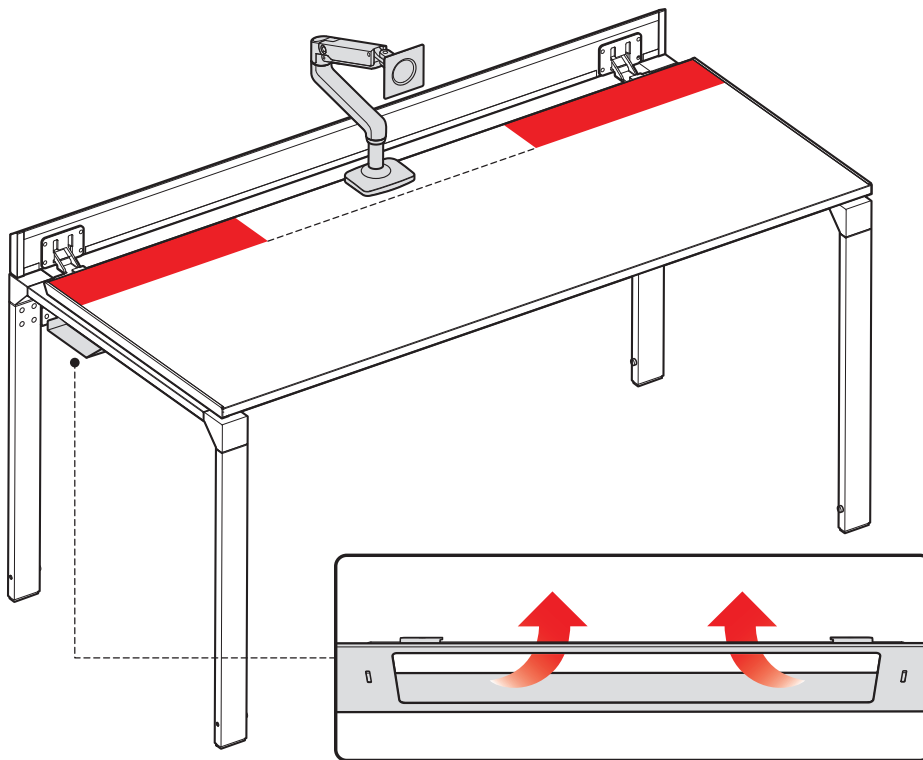
Height Adjustment Range: +20mm



## HANDLING THE REAR COVER

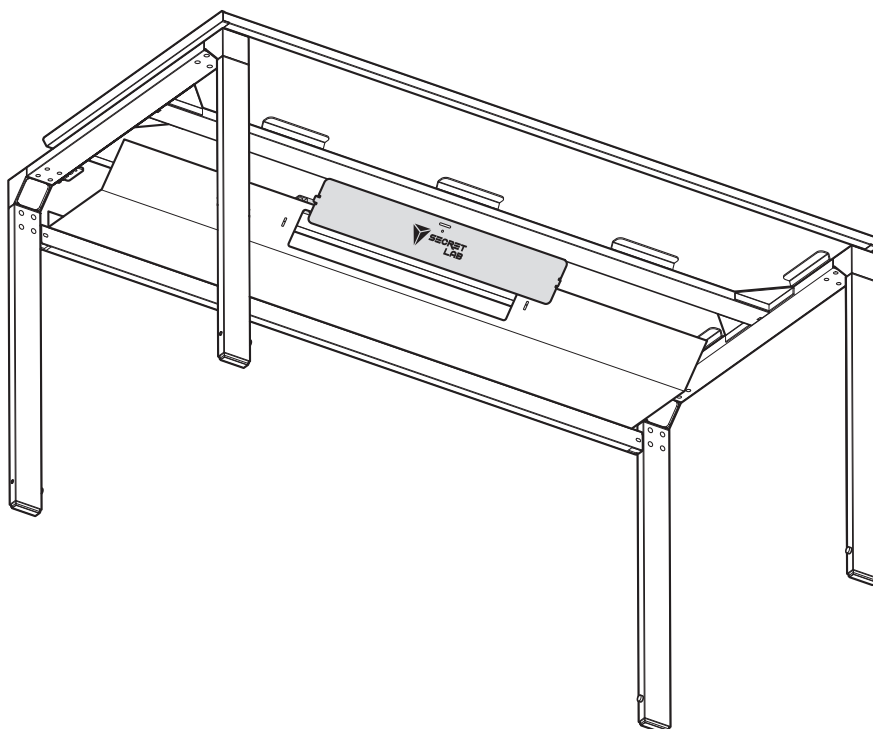
Always open and close the hinged rear cover from the sides. Do not open and close the cover via the middle of the desk and keep hands and fingers clear of this area.

# USAGE INSTRUCTIONS



## [OPTIONAL] MOUNTING MONITOR ARM

If you plan on using a monitor arm with the Secretlab Magnus, we recommend it to be mounted within the midsection of the desk. It will be easier to access the monitor arm hardware through the front of the tray from underneath the table.



## MOUNTING THE TRAY COVER

The Secretlab Magnus is now ready for your long hours of work or play!