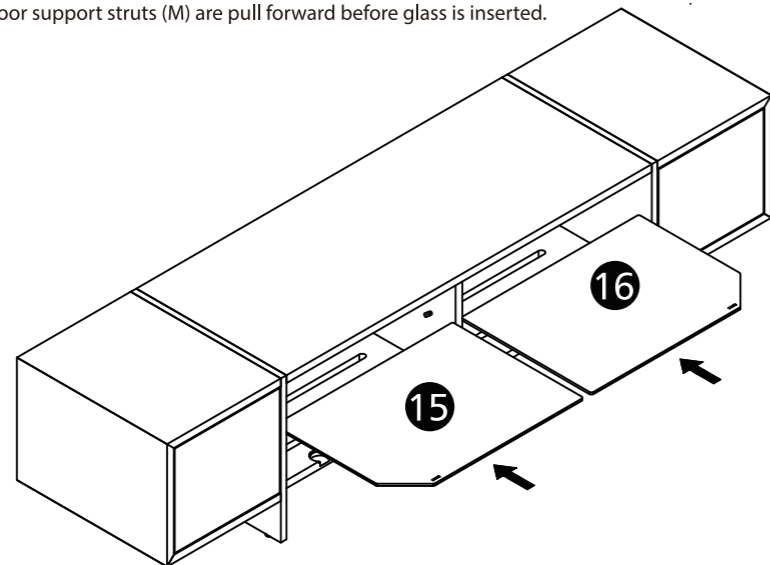


15

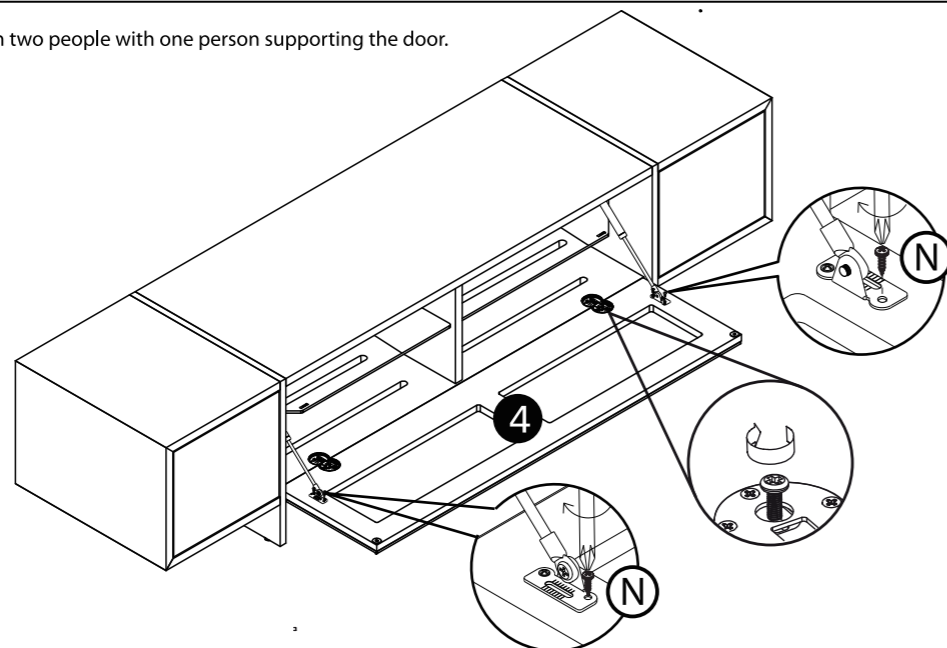
NOTE: Make sure the door support struts (M) are pull forward before glass is inserted.



16

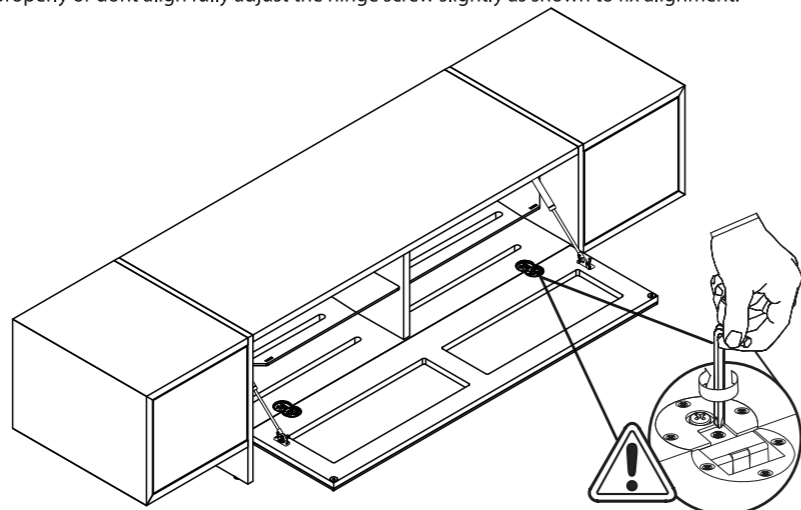
NOTE: Best done with two people with one person supporting the door.

(N) x4



17

NOTE: If the doors dont close properly or dont align fully adjust the hinge screw slightly as shown to fix alignment.



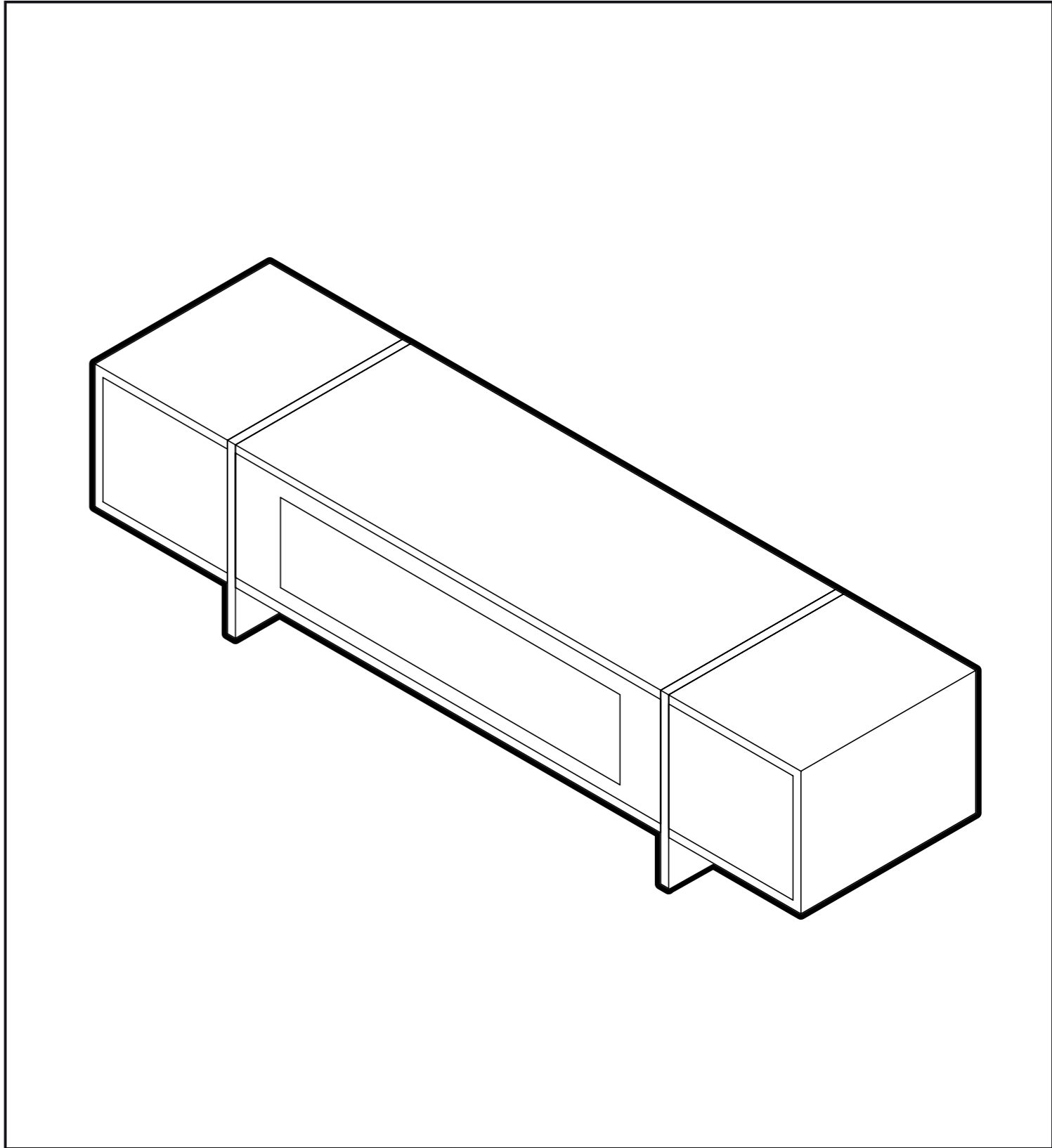
CARE INSTRUCTIONS:

Avoid direct sunlight as this can produce colour changes in the areas affected.
 Slight colour change over time due to exposure to natural light is to be expected.
 Colour and pattern variation is to be expected with this finish and does not constitute a product defect.
 Clean all surfaces using a soft damp cloth. A suitable furniture polish can be used if required.
 Do not use abrasive cleaners.
 Do not place hot or cold items in direct contact with any part of this product.
 Take care not to overtighten any part of this assembly.

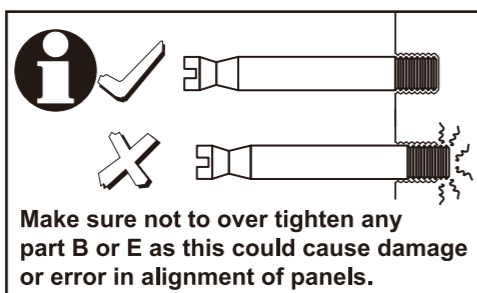
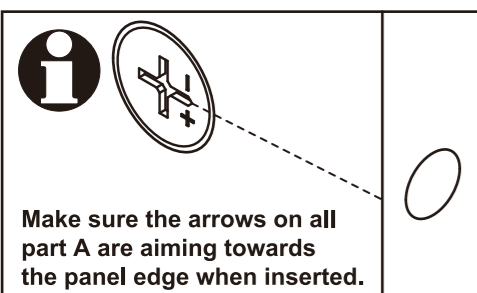
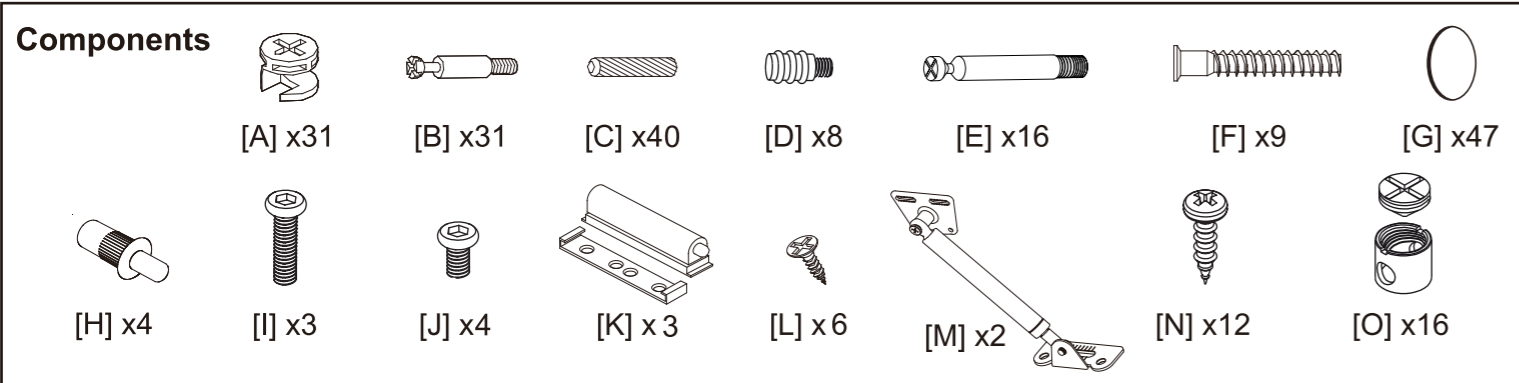
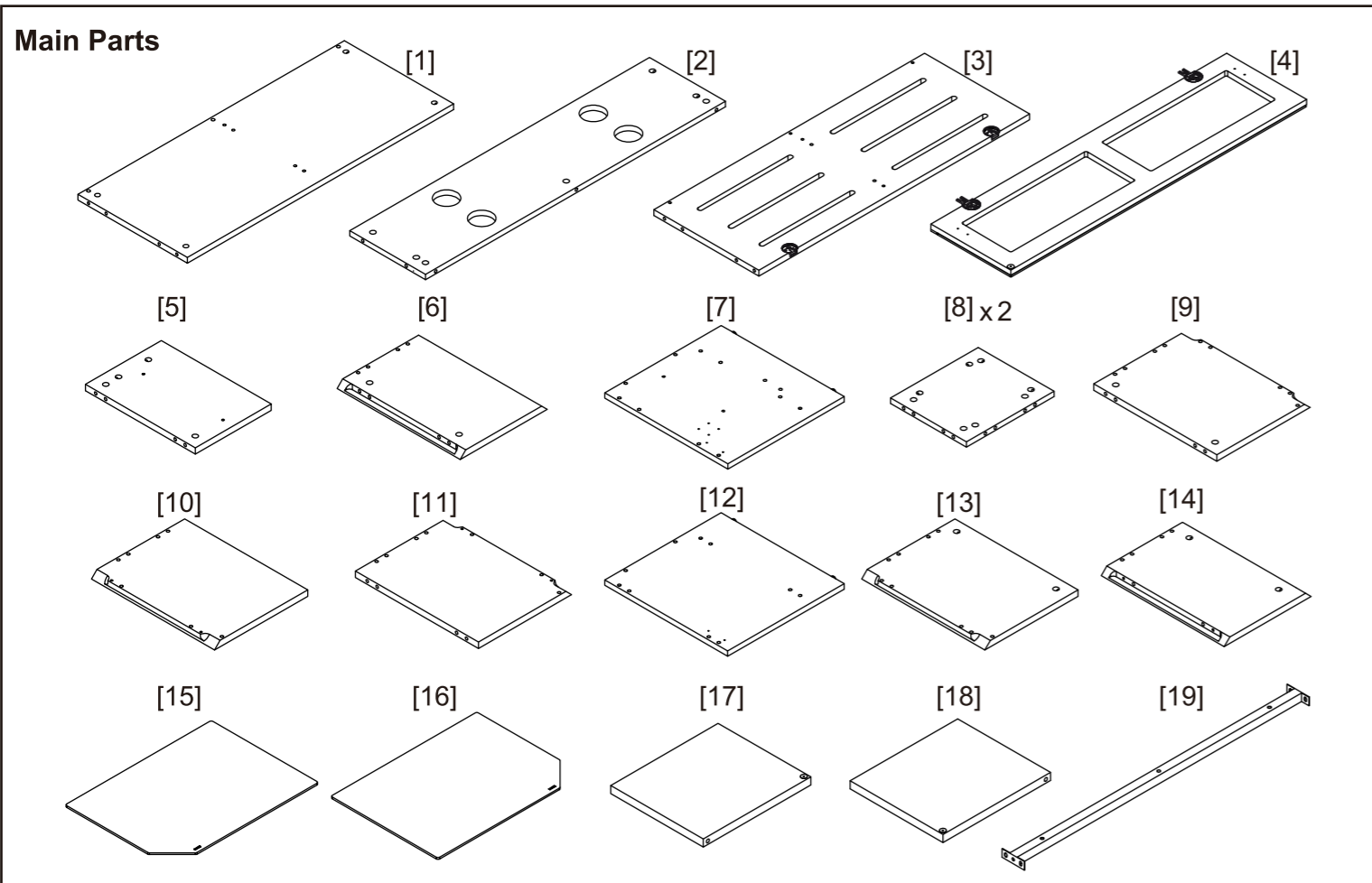
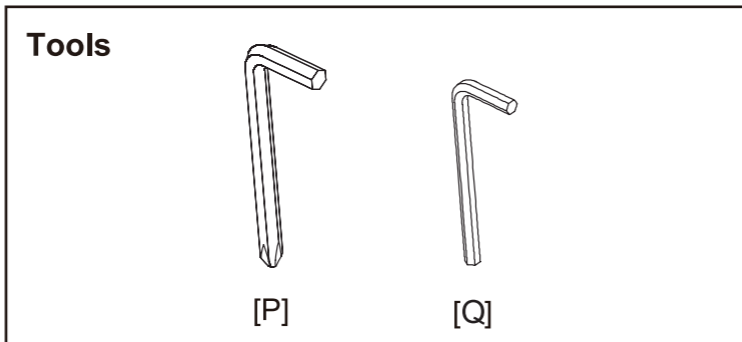
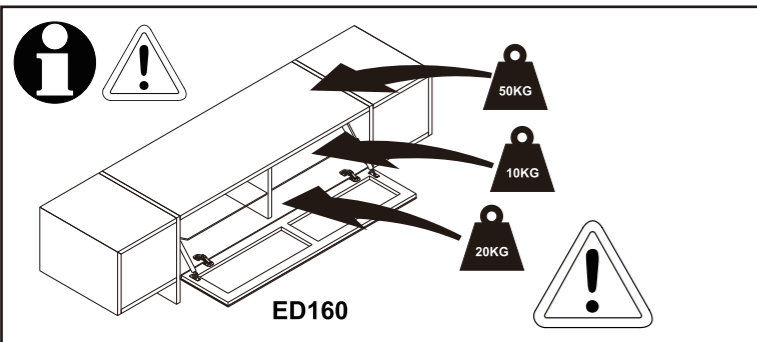
www.avfgroup.com



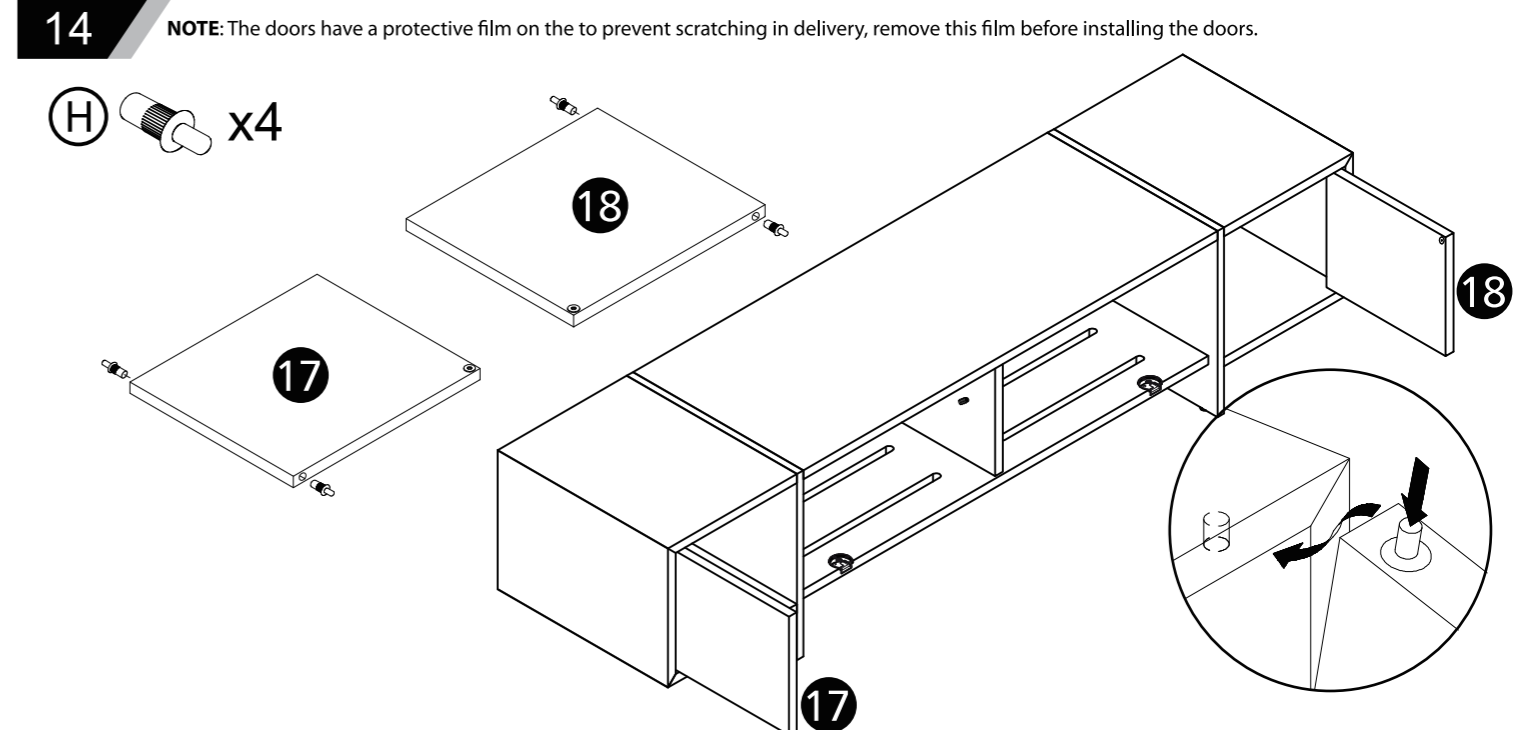
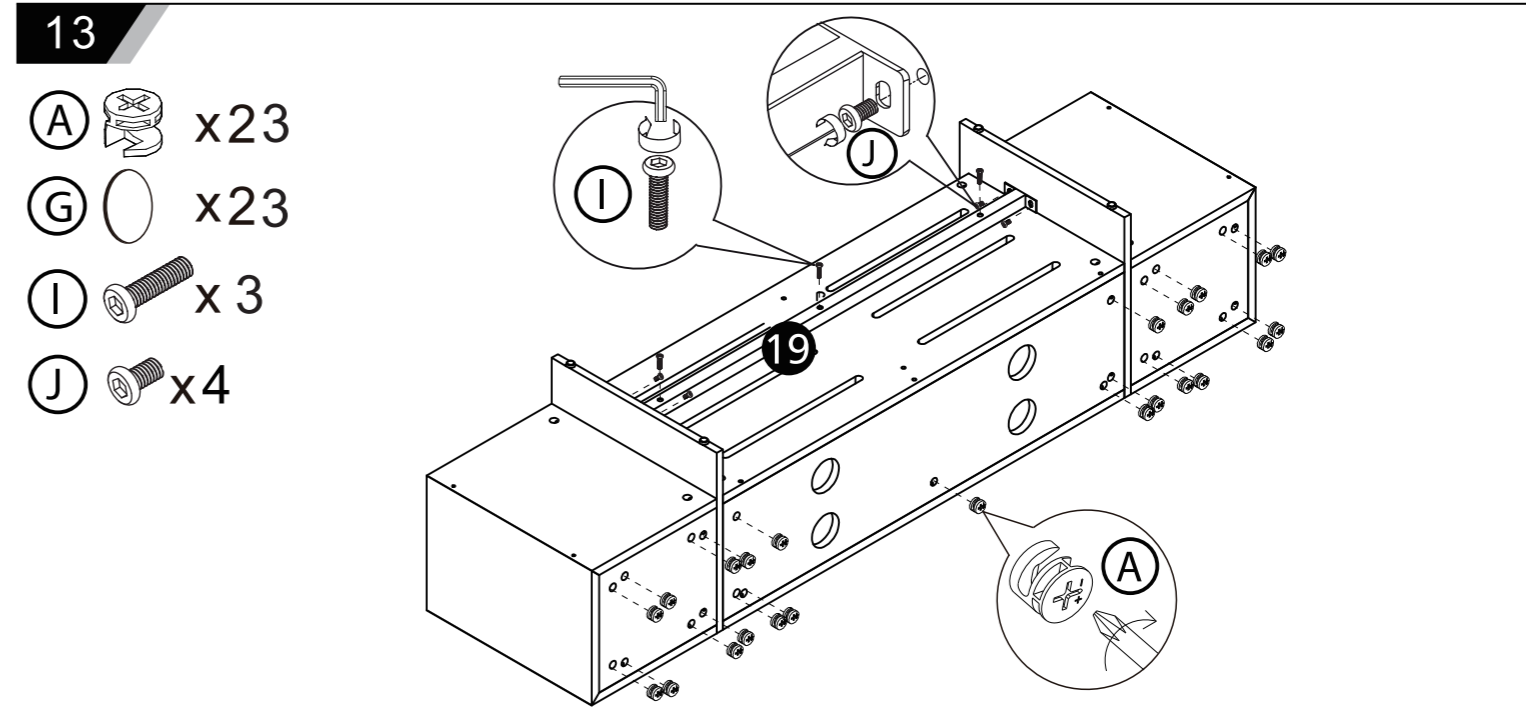
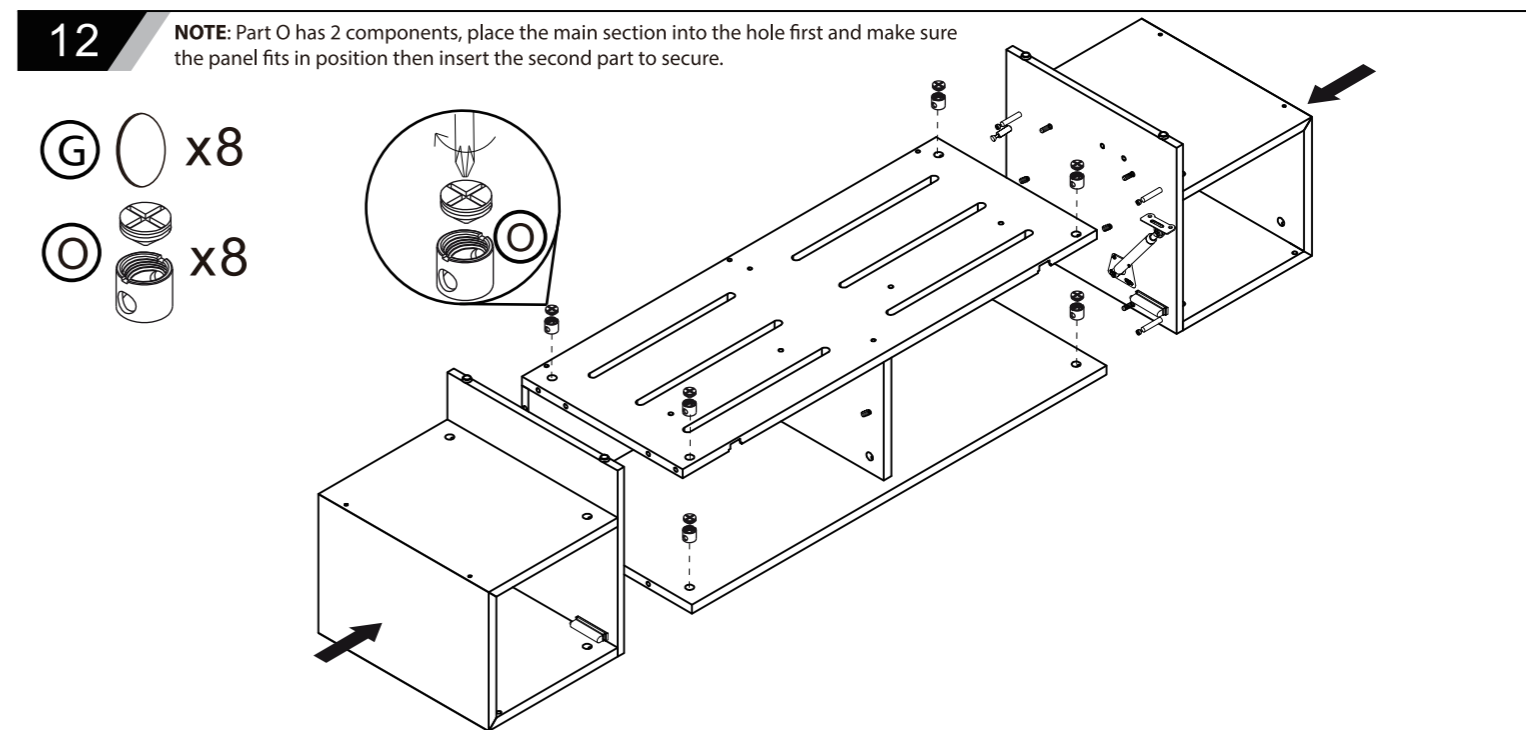
469845 rev00



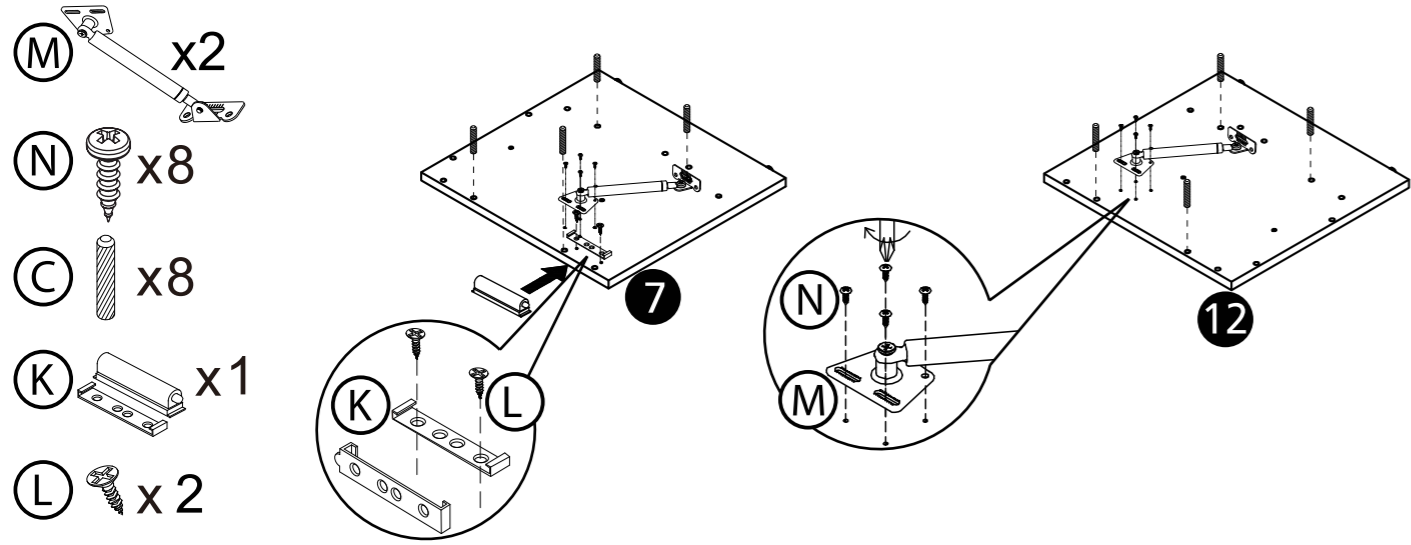
+44 (0) 333 320 0463 (UK)
CUSTOMER SERVICES HELP LINE NUMBER: 1-800 667 0808 (USA)



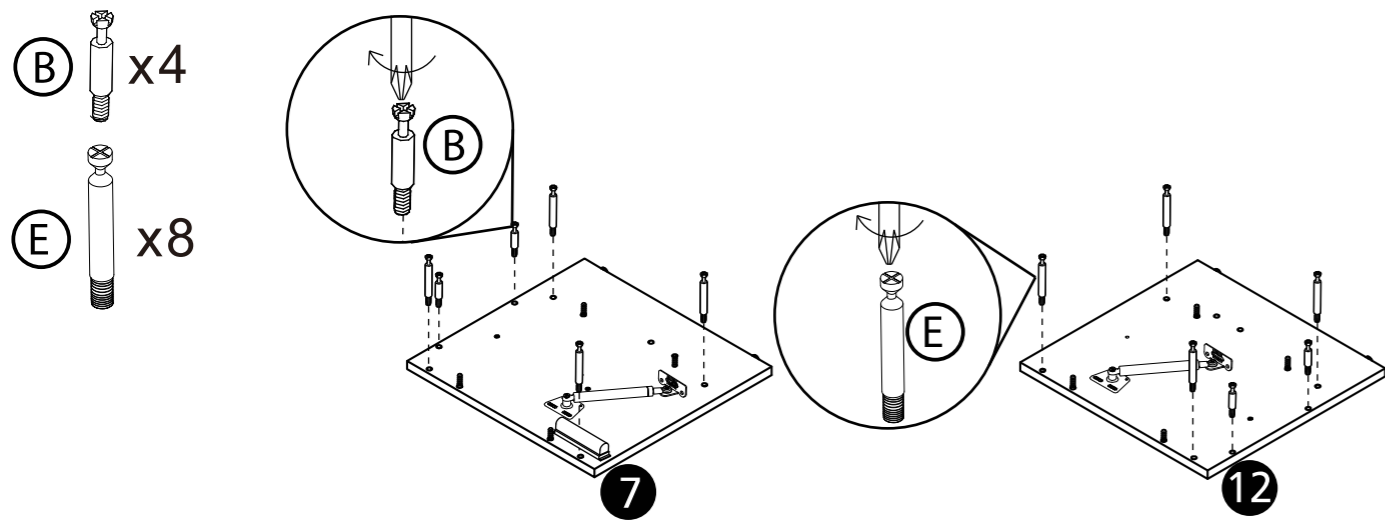
Take extra care not to over tighten any screws as this may cause damage!



9 NOTE: This step is the reverse side of the panels above.



10 NOTE: This step is the reverse side of the panels above.



11 NOTE: Part O has 2 components, place the main section into the hole first and make sure the panel fits in position then insert the second part to secure.

