

AZEK Trim is best for any siding job

AZEK J-Channel Trim works with vinyl, PVC, fiber cement, and wood composite siding products.

THE J-CANNEL TRIM SERIES
THE FINISHING TOUCH FOR ANY SIDING



Problem

Common vinyl casing is not only unattractive, but requires the purchase and installation of additional J-Channel.



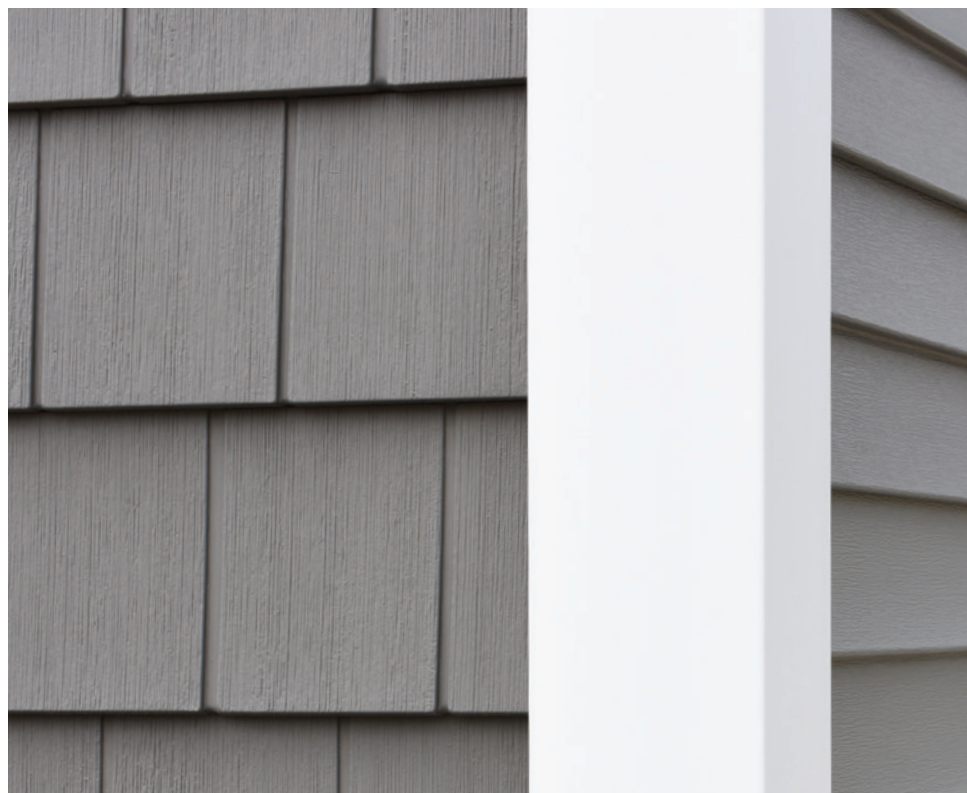
Solution

One-piece J-Casing requires no paint for protection and installs quickly with no unsightly fasteners on the face of the trim.



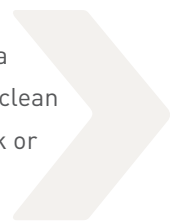
Problem

Standard corner assembly requires multiple boards, messy caulk, and extra time and labor to assemble.



Solution

One-piece corner boards with a J-Channel install quickly for a clean finish. Smooth seams, no caulk or paint required.



AZEK Exteriors
1330 W. Fulton Street, Suite 350 | Chicago, IL 60607
© 2023 The AZEK Company Inc. and Its Affiliates LIT-JCHANNEL 03/23

MADE IN
THE USA





J-CASING
Single-piece trim, designed to work with any type of siding.
Page 5

J-QUICK CORNER™
One-piece corners designed for fast installs with premium siding.
Page 7

THE AZEK® J-CHANNEL TRIM SERIES: A CLOSER LOOK

AZEK J-Channel Trim Series is a suite of products, including J-Casing and J-Quick Corner™, expressly designed to complement premium siding. Here's why it appeals to contractors and homeowners:

ENHANCED AESTHETICS
Architectural designs and seamless finishing elevate beauty.

EASY INSTALL
Eliminate extra steps in the process and save time.

COST SAVINGS
Faster installation means greater work efficiency and labor savings.

LOW MAINTENANCE
Long-term durability eliminates the need for regular scraping, painting, and caulking.

No Caulk, No Paint, Fewer Steps— Faster Installation

- One-piece corner and window trim installs quickly.
- Corner maintains its shape without seams opening, no caulking required.
- Homeowners enjoy a more aesthetically pleasing look.
- Approved for ground contact; no rot worries.

PREMIUM SIDING NOW HAS A FASTER, EASIER TRIM SOLUTION

Beautifully complement any style of siding for a fresh, clean, finished look. Our trim is easy to install, saving you time and money. Add a new level of aesthetics that's durable, protected, and flexible with the J-Channel Trim Series from AZEK Exteriors. Easily add AZEK Mouldings for a personal touch in any installation for even greater curb appeal.

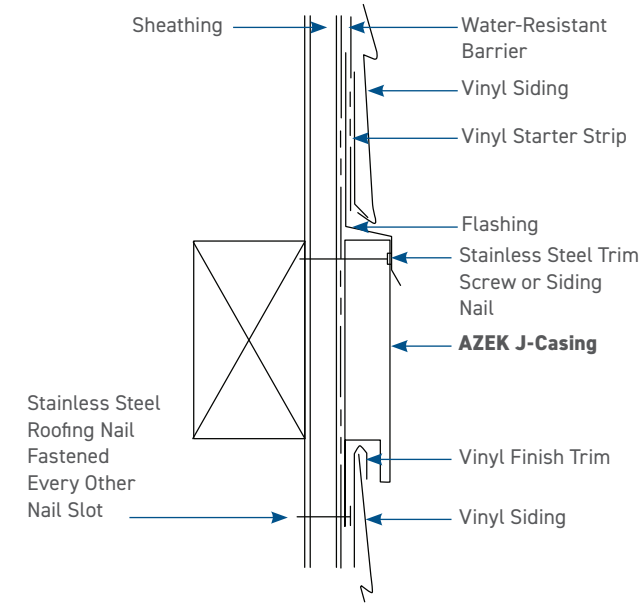
AZEK® J-CHANNEL SERIES J-CASING

AZEK® J-Casing offers the most beautiful and seamless transition between your siding and trim. These trims have also been engineered to reduce labor, the need for field-applied paint, and extra J-Channels.



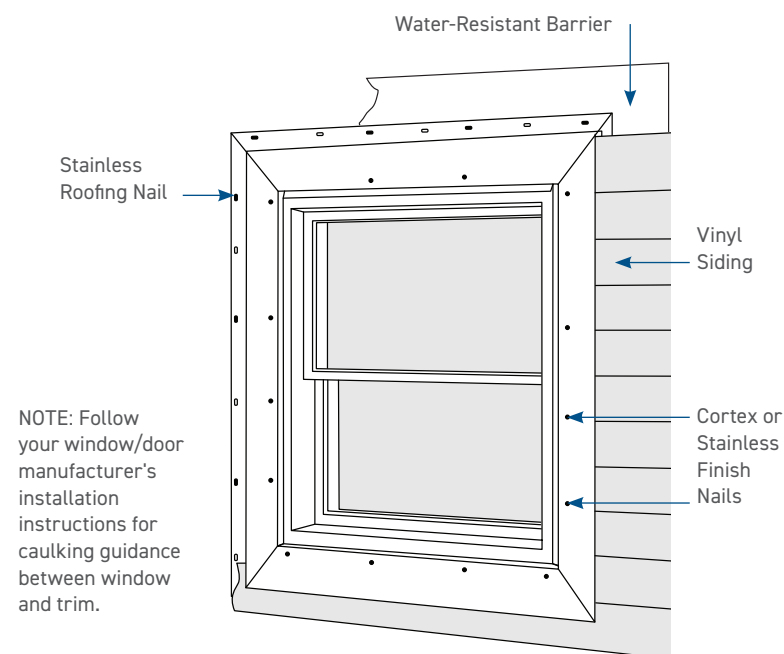
Band Board

Band boards provide neat transitions between house levels or foundation and framing. AZEK J-Channel Trim installs easily alongside any type of siding, and because it's PVC, water, ground, or masonry contact have no negative effect.



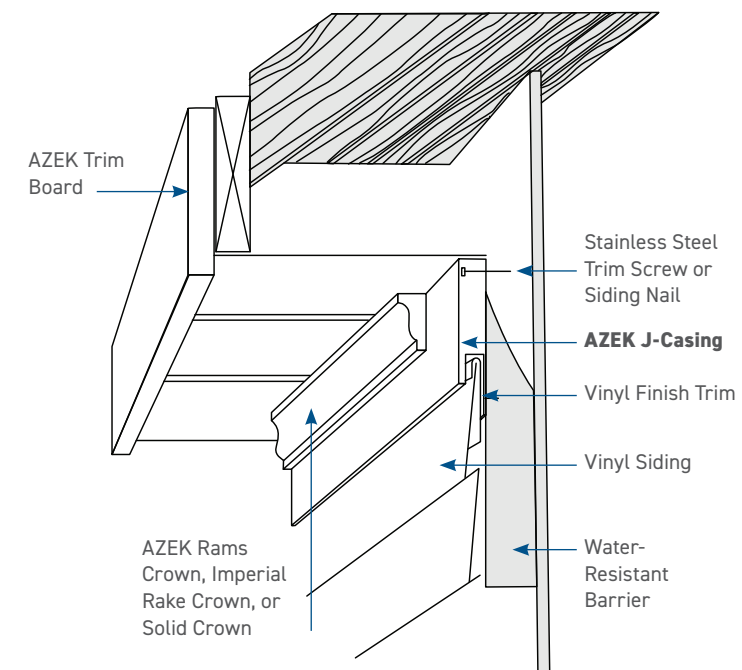
Window Casing

Clean, uniform details instantly upgrade the curb appeal of a home. AZEK J-Channel around window frames allows for siding to beautifully and seamlessly transition into the window casing without additional pieces or painting. Save time on installation and eliminate purchasing extra pieces for a look that complements its surroundings.



Frieze

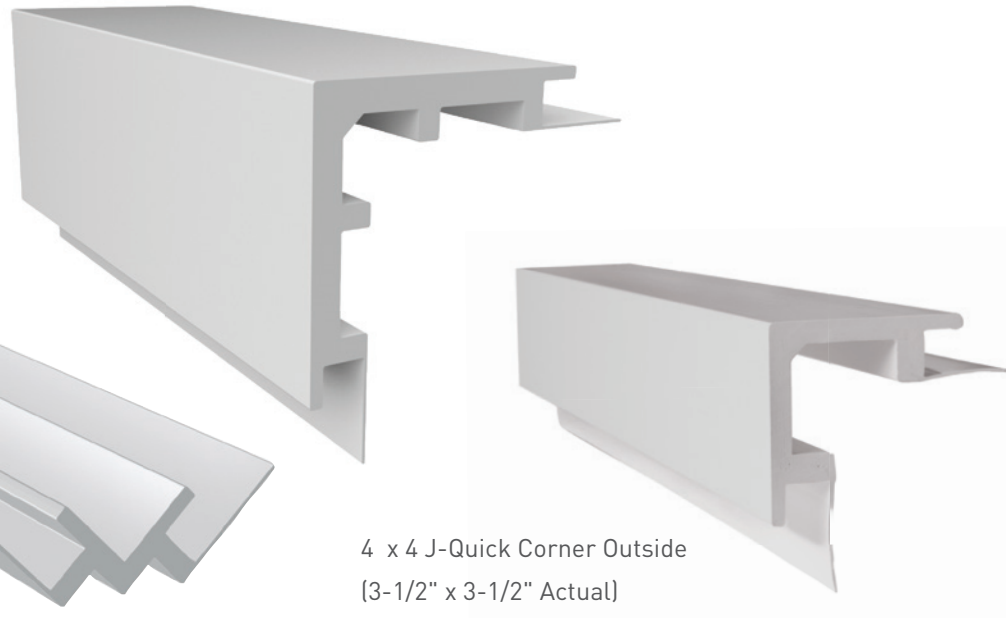
AZEK® J-Casing can be used as a frieze to finish your siding where it meets your soffits. Installing AZEK J-Casing as a frieze board is easy, adds beauty and personality, and eliminates the need for painting over time.



AZEK® J-CANNEL SERIES J-QUICK CORNER™

This corner is installed with hidden fasteners, completely eliminating the need for excessive face nailing and touch-up. It is also versatile enough to be used with multiple types of sidings.

6 x 6 J-Quick Corner Outside
(5-1/2" x 5-1/2" Actual)

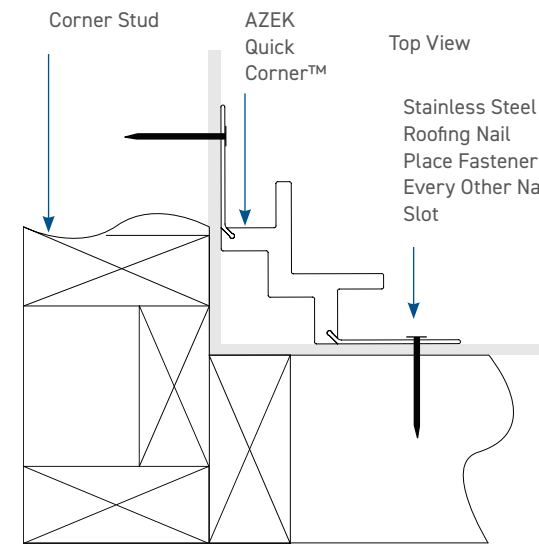


3 x 3 J-Quick Corner Inside
(2-1/2" x 2-1/2" Actual)

4 x 4 J-Quick Corner Outside
(3-1/2" x 3-1/2" Actual)

Inside Corner

Inside corners are where every eighth-inch variation and two degrees out of plumb seems to show up. Caulk it and forget it? No, use AZEK J-Channel Inside Corner. Get a crisp, clean look with water management that's long lasting and carries AZEK Trim's Lifetime Limited Warranty.



No Messy Caulk Work



AZEK J-Quick Corner encases the siding to ensure ends are covered with no additional caulk needed.



Traditional corners require caulk, which over time can shrink and gather dirt, leaving the substrate prone to water damage.

Outside Corner

Complement your siding with sharp, elegant corners that install quickly, reduce costs, and avoid future problems. J-Quick Corner one-piece corner board features an integrated J-Channel that trims up corners without using caulk.

