

**BANNERS**  
**4** **CHURCHES.com**

2016 CATALOG

**AMERICA'S**  
**SUPERSTORE**

for Church Banners, Display Systems & Inspirational Products

*We're Green!*



2016©Caldwell Marketing International  
All Rights Reserved

# Choose from **OVER 100,000** Products & Images

No banner provider offers more options for your church project than **Banners4Churches.com!** With our exclusive, proprietary Image Bank, we can help you create dynamic and inspiring messages with artwork and imagery from around the world.

From welcome center banners to teaching series, we're your church banner specialists!

Since 1984, we've been an outreach extension for churches across North America.

...adheres firmly to all surfaces without damaging paint or walls.

Using only the industry's premium materials, our standard options include Multisol<sup>®</sup> fabric, gloss or matte vinyl and the revolutionary Fabric Wall Decal.



This versatile product can be mounted and removed from nearly every surface - all with no special adhesives!

If you need a display system, we've also got you covered. We have everything from the simple XStand<sup>®</sup> to outdoor displays. But award winning designs and products are only part of who we are. Need a designer? It's who we really are! We understand where our work is displayed, and nothing less than our best is ever good enough. That's why we treat every job for every church as our most important work. Simply because it is!



## Banner Display Systems

### Product Materials

Multisol<sup>®</sup> Fabric • Gloss or Matte Vinyl • Fabric Wall Decal

### Finishes & Options

Top/Bottom Pole Pockets • Grommets • Free Design Service

For a complete catalog of available display systems, contact a sales representative, or visit our website.

[www.banners4churches.printesto.com](http://www.banners4churches.printesto.com)



RollUp Luxury<sup>®</sup>



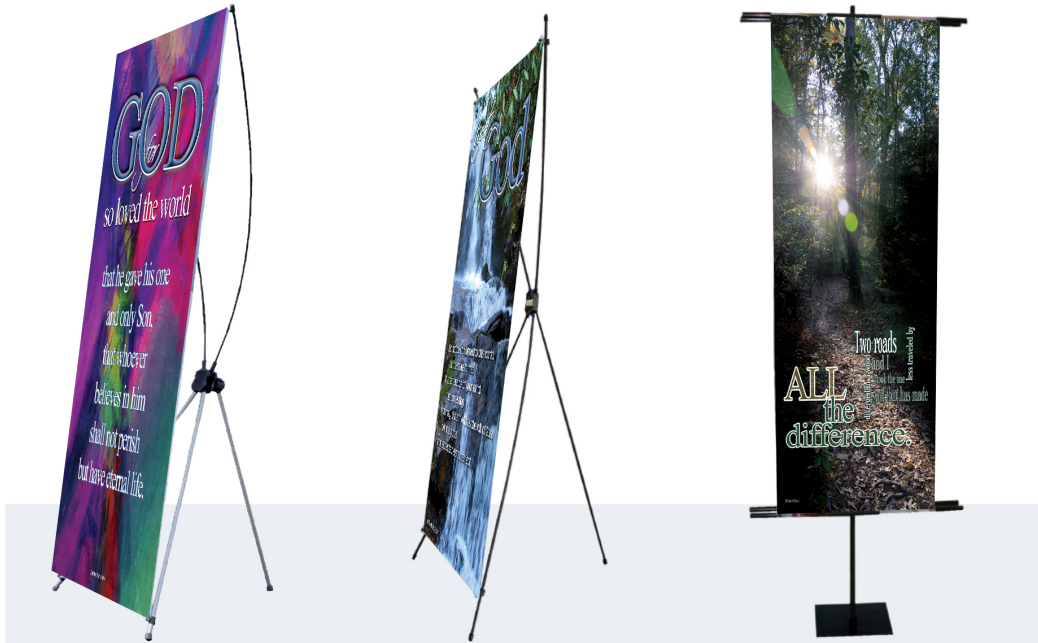
XStand<sup>®</sup>




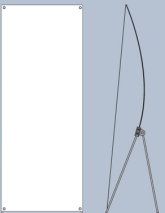
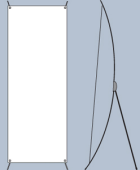
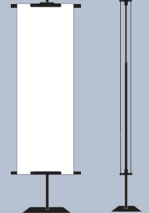
RollUp Economy<sup>®</sup>



Frame System 100<sup>®</sup>

# Display Systems






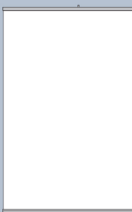




X-STAND 100	X-STAND 200	CLASSIC STAND
2.8ft x 6.9ft (86cm x 211cm)	2.1ft x 5.4ft (64cm x 165cm)	2.6ft x 4.0-8.0ft (81cm x 122-243cm)
2.6ft x 6.6ft (80cm x 200cm)	2ft x 4.9ft (60cm x 150cm)	(2) 2.0ft x 6.0ft (60cm x 183cm)      (2) 2.6ft x 6.6ft (80cm x 200cm)
2.1lbs	0.7lbs	10.5lbs
<ul style="list-style-type: none"> <li>• Polyester</li> <li>• Vinyl</li> </ul>	<ul style="list-style-type: none"> <li>• Polyester</li> <li>• Vinyl</li> </ul>	<ul style="list-style-type: none"> <li>• Polyester</li> <li>• Vinyl</li> </ul>
All sides cut, grommets in each corner	All sides cut, grommets in each corner	All sides cut; pole sleeve T and B
<ul style="list-style-type: none"> <li>• 3 Aluminum poles</li> <li>• 2 Fiberglass poles</li> <li>• 1 connector</li> <li>• Carrying Case</li> </ul> 	<ul style="list-style-type: none"> <li>• 5 Fiberglass poles</li> <li>• 1 connector</li> <li>• Economy Bag</li> </ul> 	<ul style="list-style-type: none"> <li>• 4 banner arms</li> <li>• 4 pole clips</li> <li>• 2 mounting brackets</li> <li>• 1 telescopic pole</li> <li>• 1 base with thorn</li> </ul> 
 <p>2.8ft x 6.9ft      1.7ft</p>	 <p>2.1ft x 5.4ft      1.8ft</p>	 <p>2.6ft x 4.0-8.0ft      1.0ft</p>

AMERICA'S SUPERSTORE FOR CHURCH BANNERS, DISPLAY SYSTEMS & INSPIRATIONAL PRODUCTS

# Display Systems



ROLL UP 100E	ROLL UP 100C	ROLL UP 200A	ROLL UP 200B
4.1ft x 5.2-6.8ft (125cm x 160-206cm)	5ft x 5.2-6.8ft (155cm x 160-206cm)	2.8ft x 6.9ft (85cm x 209cm)	2.6ft x 6.8ft (80cm x 206cm)
3.9ft x 5.2-6.6ft (120cm x 160-200cm)	4.9ft x 5.2-6.6ft (150cm x 160-200cm)	2.6ft x 6.6ft (80cm x 200cm)	(2) 2.6ft x 6.6ft (80cm x 200cm)
19.8lbs	23.6lbs	6lbs	11lbs
<ul style="list-style-type: none"> <li>• Polyester</li> <li>• Vinyl</li> </ul>	<ul style="list-style-type: none"> <li>• Polyester</li> <li>• Vinyl</li> </ul>	<ul style="list-style-type: none"> <li>• Polyester</li> <li>• Vinyl</li> </ul>	<ul style="list-style-type: none"> <li>• Polyester</li> <li>• Vinyl</li> </ul>
All sides cut	All sides cut	All sides cut	All sides cut
<ul style="list-style-type: none"> <li>• Aluminum base</li> <li>• Clamping rails <i>T and B</i></li> <li>• 2 2-part Aluminum pole <i>height adjustable</i></li> <li>• Carrying Case</li> </ul> 	<ul style="list-style-type: none"> <li>• Aluminum base</li> <li>• Clamping rails <i>T and B</i></li> <li>• 2 2-part Aluminum poles <i>height adjustable</i></li> <li>• Carrying Case</li> </ul> 	<ul style="list-style-type: none"> <li>• Aluminum base</li> <li>• 1 clamping rail - <i>T</i></li> <li>• 1 adhesive strip - <i>B</i></li> <li>• 3-part Aluminum pole</li> <li>• Carrying Case</li> </ul> 	<ul style="list-style-type: none"> <li>• Aluminum base</li> <li>• 2 clamping rails - <i>T</i></li> <li>• 2 adhesive strips - <i>B</i></li> <li>• 3-part Aluminum pole</li> <li>• Carrying Case</li> </ul> 
 <p>4.1ft x 5.2-6.8ft    0.69ft</p>	 <p>5ft x 5.2-6.8ft    0.5ft</p>	 <p>2.8ft x 6.9ft    1.2ft</p>	 <p>2.6ft x 6.8ft    1.25ft</p>






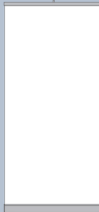
AMERICA'S SUPERSTORE FOR CHURCH BANNERS, DISPLAY SYSTEMS & INSPIRATIONAL PRODUCTS

# Display Systems

## ADVANTAGES:

- No tools required
- Durable hardware
- Lightweight
- Easy to transport
- Economical
- Accessories available for some models
- Assembly by one person
- Print on a variety of materials



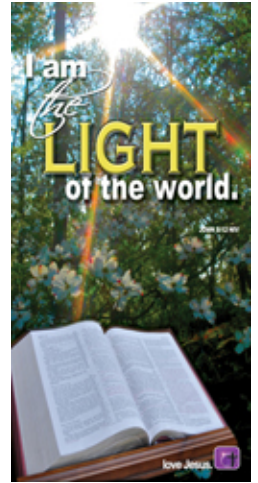
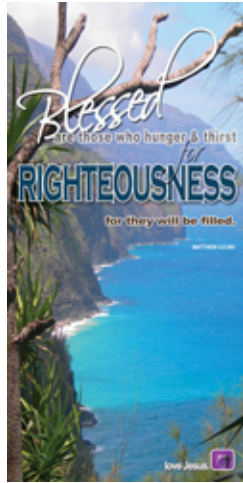
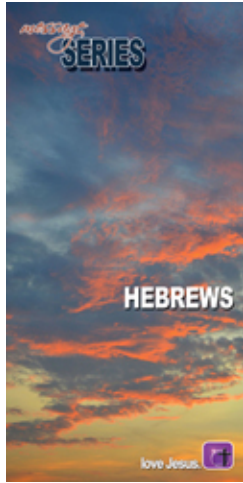
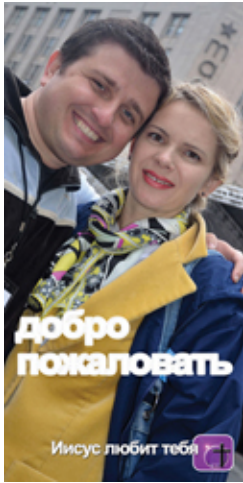
	ROLL UP 100A	ROLL UP 100B	ROLL UP 100D
Hardware (WxH)	2.8ft x 5.2-6.8ft (85cm x 160-206cm)	2.8ft x 5.2-6.8ft (85cm x 160-206cm)	3.5ft x 5.2-6.8ft (105cm x 160-206cm)
Print	2.6ft x 5.2-6.6ft (80cm x 160-200cm)	(2) 2.6ft x 5.2-6.6ft (80cm x 160-200cm)	3.3ft x 5.2-6.6ft (100cm x 160-200cm)
Weight	12.1lbs	13.2lbs	15.4lbs
Material	<ul style="list-style-type: none"> <li>• Polyester</li> <li>• Vinyl</li> </ul>	<ul style="list-style-type: none"> <li>• Polyester</li> <li>• Vinyl</li> </ul>	<ul style="list-style-type: none"> <li>• Polyester</li> <li>• Vinyl</li> </ul>
Finish	All sides cut	All sides cut	All sides cut
Complete Set	<ul style="list-style-type: none"> <li>• Aluminum base</li> <li>• Clamping rails - <i>T and B</i></li> <li>• 2-part Aluminum pole <i>height adjustable</i></li> <li>• Carrying Case</li> </ul> 	<ul style="list-style-type: none"> <li>• Aluminum base</li> <li>• 2 clamping rails - <i>T</i></li> <li>• 2 adhesive strips - <i>B</i></li> <li>• 2-part Aluminum pole <i>height adjustable</i></li> <li>• Carrying Case</li> </ul> 	<ul style="list-style-type: none"> <li>• Aluminum base</li> <li>• Clamping rails - <i>T and B</i></li> <li>• 2-part Aluminum pole <i>height adjustable</i></li> <li>• Carrying Case</li> </ul> 
Sketch	 <p>2.8ft x 5.2-6.8ft 0.5ft</p>	 <p>2.8ft x 5.2-6.8ft 0.69ft</p>	 <p>3.5ft x 5.2-6.8ft 0.69ft</p>

AMERICA'S SUPERSTORE FOR CHURCH BANNERS, DISPLAY SYSTEMS & INSPIRATIONAL PRODUCTS

**Sample Horizontal Designs**  
**Personalize Any Image FREE!!!**

sales@banners4churches.com  
**Order online** or call 615.395.8211

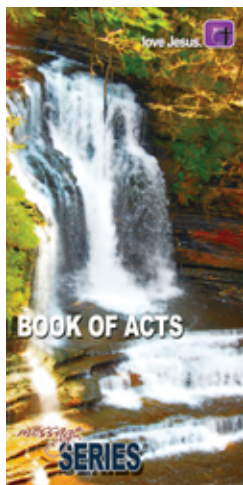
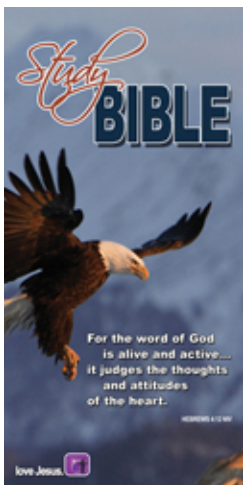




**Sample Vertical Designs • Customize Any Image FREE!!!**



**ORDER SAFE & SECURE 24 HOURS A DAY - EVERYDAY!**



**BANNERS 4 CHURCHES.com**



The trademarks displayed are registered trademarks of Visa, Visa International, MasterCard, American Express and Discover.

[www.banners4churches.com](http://www.banners4churches.com) [www.banners4churches.printesto.com](http://www.banners4churches.printesto.com)

PO Box 12 | Arrington, Tennessee 37014-0012 USA

615.395.8211 main | 615.395.8024 sales |

[sales@banners4churches.com](mailto:sales@banners4churches.com)

A subsidiary of Caldwell Marketing International

COPYRIGHT © 2016 All Rights Reserved