

# Bar Stool Assembly Instructions

➤ All Bar Stools with plain Round & Square Cushion and Round & Square Cushion with Back



## PRE-ASSEMBLY

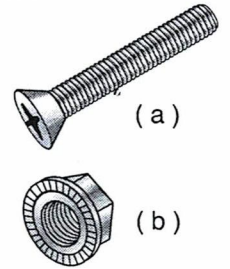
- Please remove staples from the box before removing the Bar Stool. This will reduce the possibility of scratching the finish or ripping upholstery.
- Read all instructions carefully before beginning assembly. Assembly by two people is recommended.
- Tools required: Philips screwdriver and 7/16" wrench (or adjustable wrench).

## PARTS INCLUDED

- A (1) Cushioned Bar Stool Seat with Mounted Swivel Bearing
- B (1) Bar Stool Pedestal

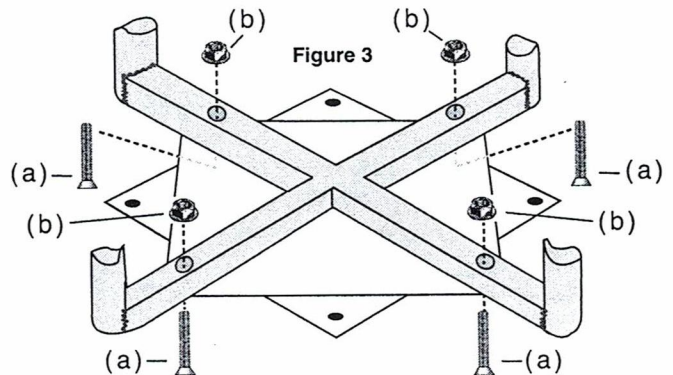
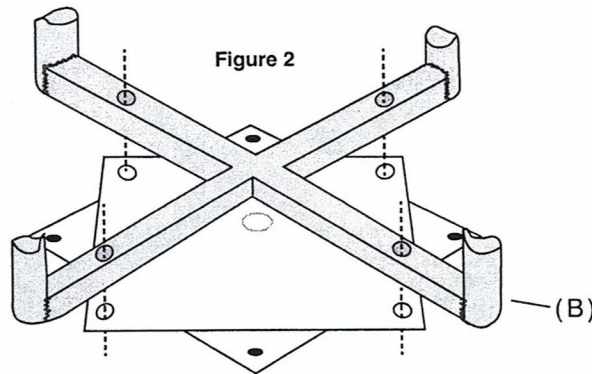
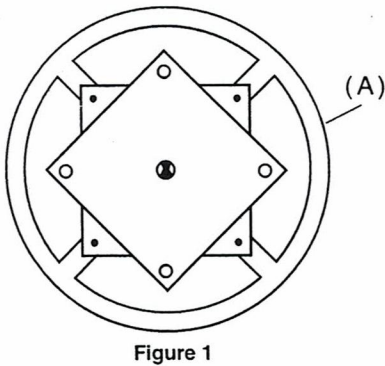
## HARDWARE PACKET

- a (5) 4-20x1-1/4" Philips Flathead Machine Screw Zinc
- b (5) 4-20 Serrated Hex Nut Zinc



## ASSEMBLY INSTRUCTIONS

- Place Upholstered Cushion (A) on table, cushion side down with Swivel Bearing facing up.
- Move Swivel Bearing so screw holes are offset from lower portion of bearing. **See Figure 1.**
- Align pre-drilled holes in Bar Stool Pedestal (B) to holes in top portion of Swivel Bearing on seat. **See Figure 2.**
- Slip 4-20x1-1/4" Philips Screws (a) through holes in bottom portion of Swivel Bearing and through holes in Pedestal cross bars. Hand tighten 4-20 hex nuts (b) onto 4-20 Philips Screws. **See Figure 3.**
- Hand tighten only at this stage.
- After all four 4-20x1-1/4" Philips Screws (a) have been placed through the pre-drilled holes and the four 4-20 Serrated Hex Nuts (b) are secured onto screws, tighten all nuts. **Do Not Over Tighten.**



## MAINTENANCE

- Periodically re-tighten all bolts.
- To clean, wipe with soft dry cloth. Never use harsh cleaners or abrasives.